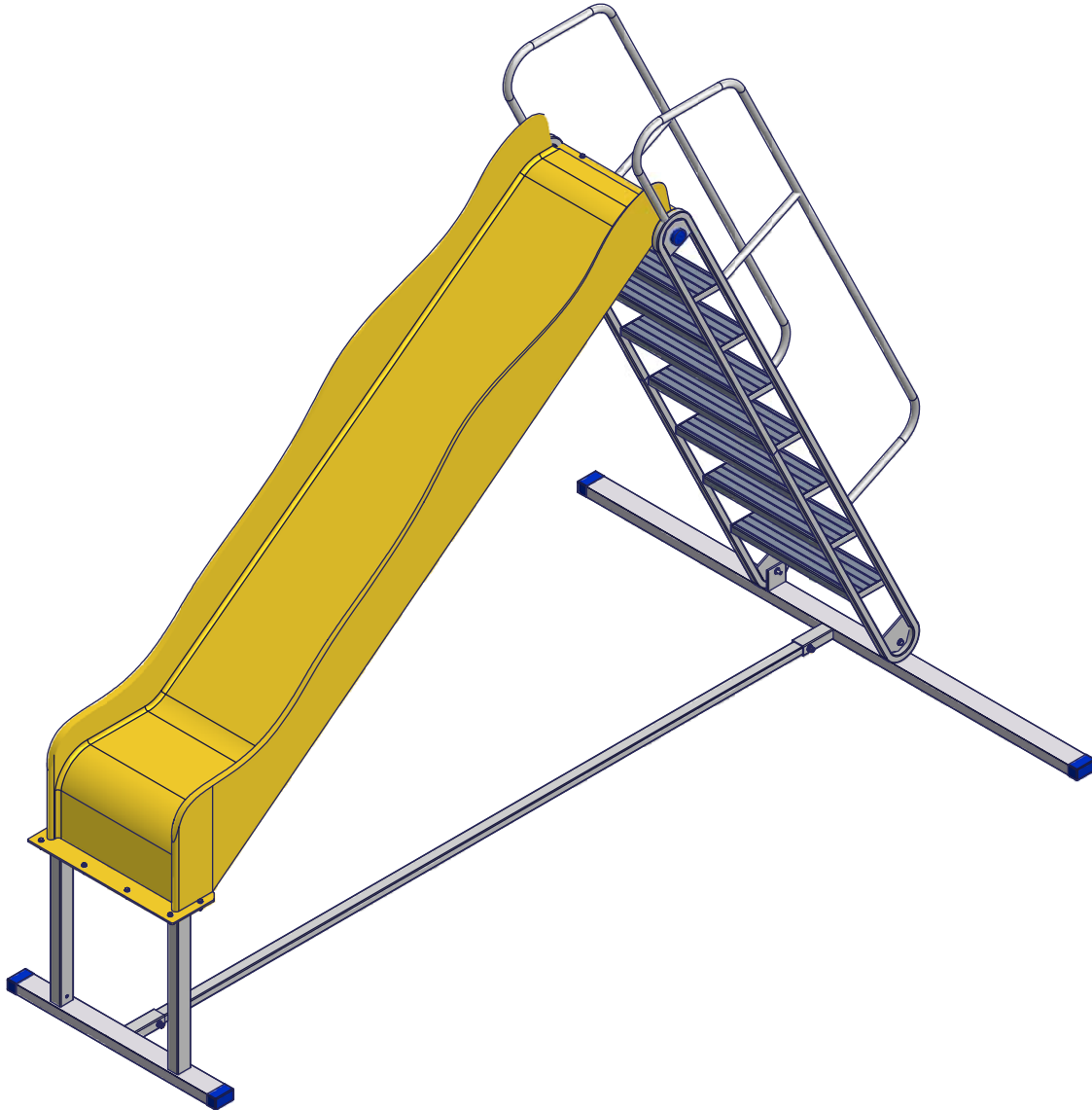


Phone: 218-739-4641
Fax: 218-739-4008
www.shoremaster.com



SLIDE OFF-DECK:

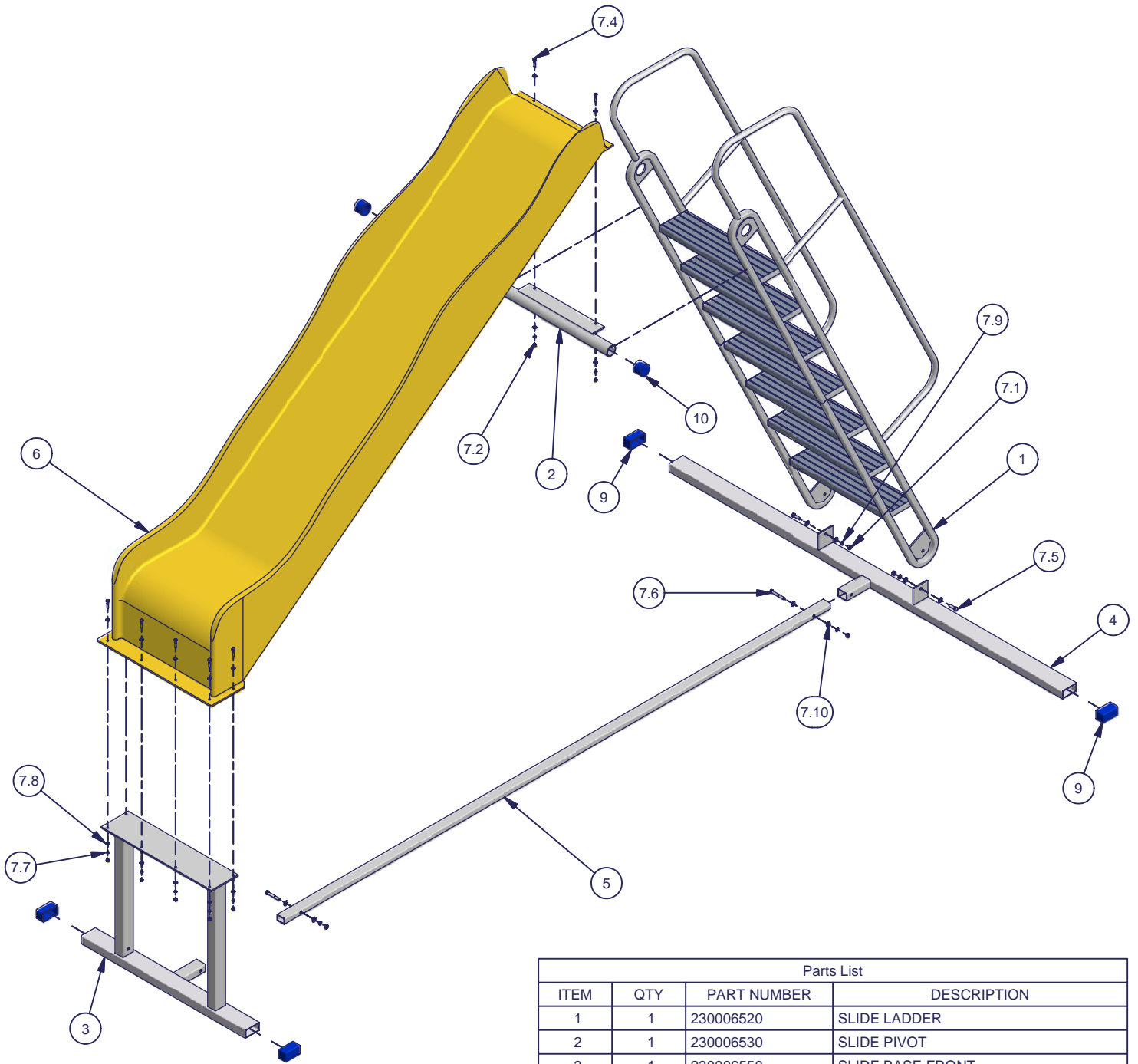
Instructions and Safety Tips



CAUTION - PUT SAFETY FIRST

1. Before attempting to install or use this slide, study and fully understand the proper operating procedures and safety precautions outlined in this owner's manual.
2. NOT COMPLYING WITH THE PROCEDURES AND PRECAUTIONS OUTLINED IN THIS MANUAL WILL INVALIDATE THE WARRANTY AND MAY RESULT IN PERSONAL INJURY OR DEATH.
3. If you have any questions about assembly, installation, use or suitability of this product, contact an authorized dealer or ShoreMaster directly at 1-800-328-8945.

SLIDE - OFF DECK

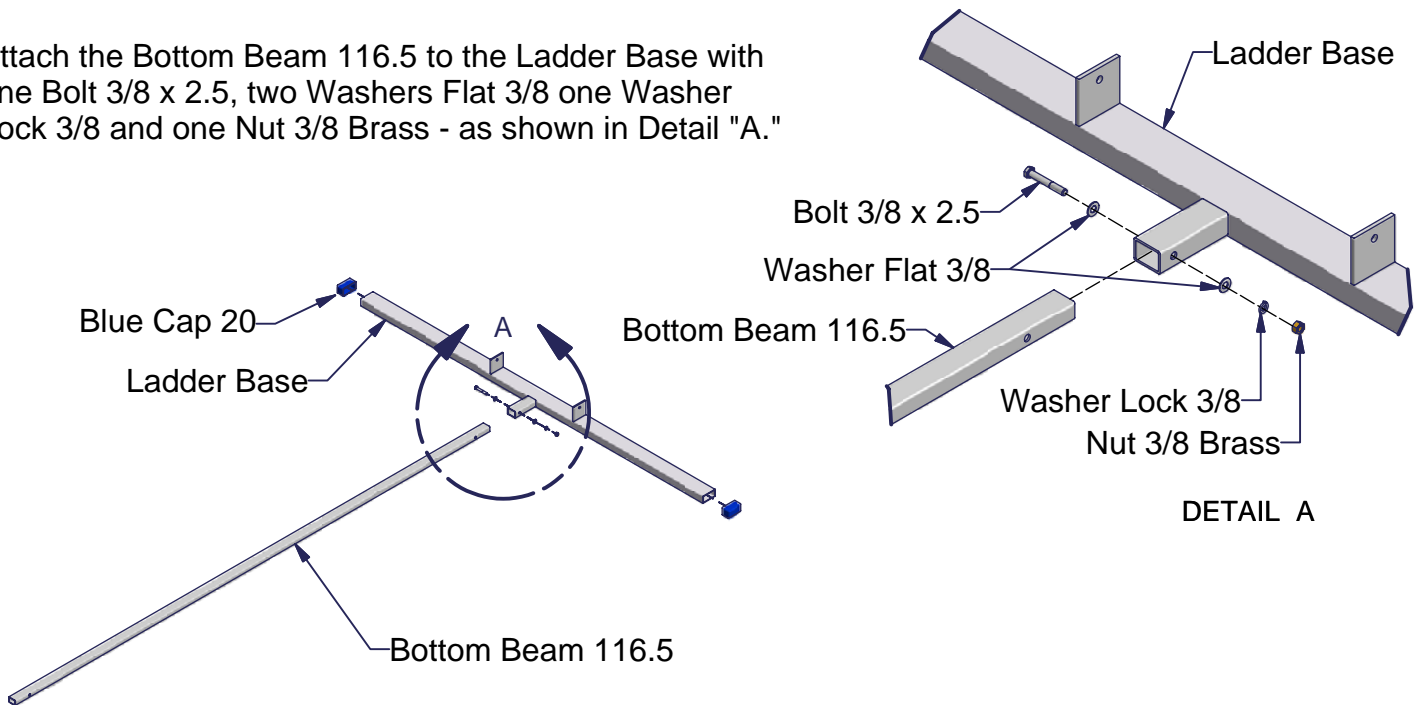


Parts List			
ITEM	QTY	PART NUMBER	DESCRIPTION
1	1	230006520	SLIDE LADDER
2	1	230006530	SLIDE PIVOT
3	1	230006550	SLIDE BASE FRONT
4	1	230006540	SLIDE LADDER BASE
5	1	008006560	BOTTOM TUBE 116.5
6	1	LINDSLIDE	POLY SLIDE
7	1	WSBB00001	BOLT BAG SLIDE OFF DECK
7.1	4	B380RGNUT	NUT 3/8 BRASS
7.2	8	B140RGNUT	NUT 1/4 BRASS
7.4	8	MS140114B	BOLT 1/4 X 1.25
7.5	2	MS380114B	BOLT 3/8 X 1.25
7.6	2	MS380212B	BOLT 3/8 X 2.5
7.7	8	S140LWSHR	WASHER LOCK 1/4
7.8	16	S140WASHR	WASHER FLAT 1/4
7.9	4	S380LWSHR	WASHER LOCK 3/8
7.10	8	S380WASHR	WASHER FLAT 3/8
9	4	BLUECAP20	BLUE CAP 20
10	2	BLUECAP21	BLUE CAP 21

STEP 1

Slide one Blue Cap 20 on each side of the Ladder Base as shown.

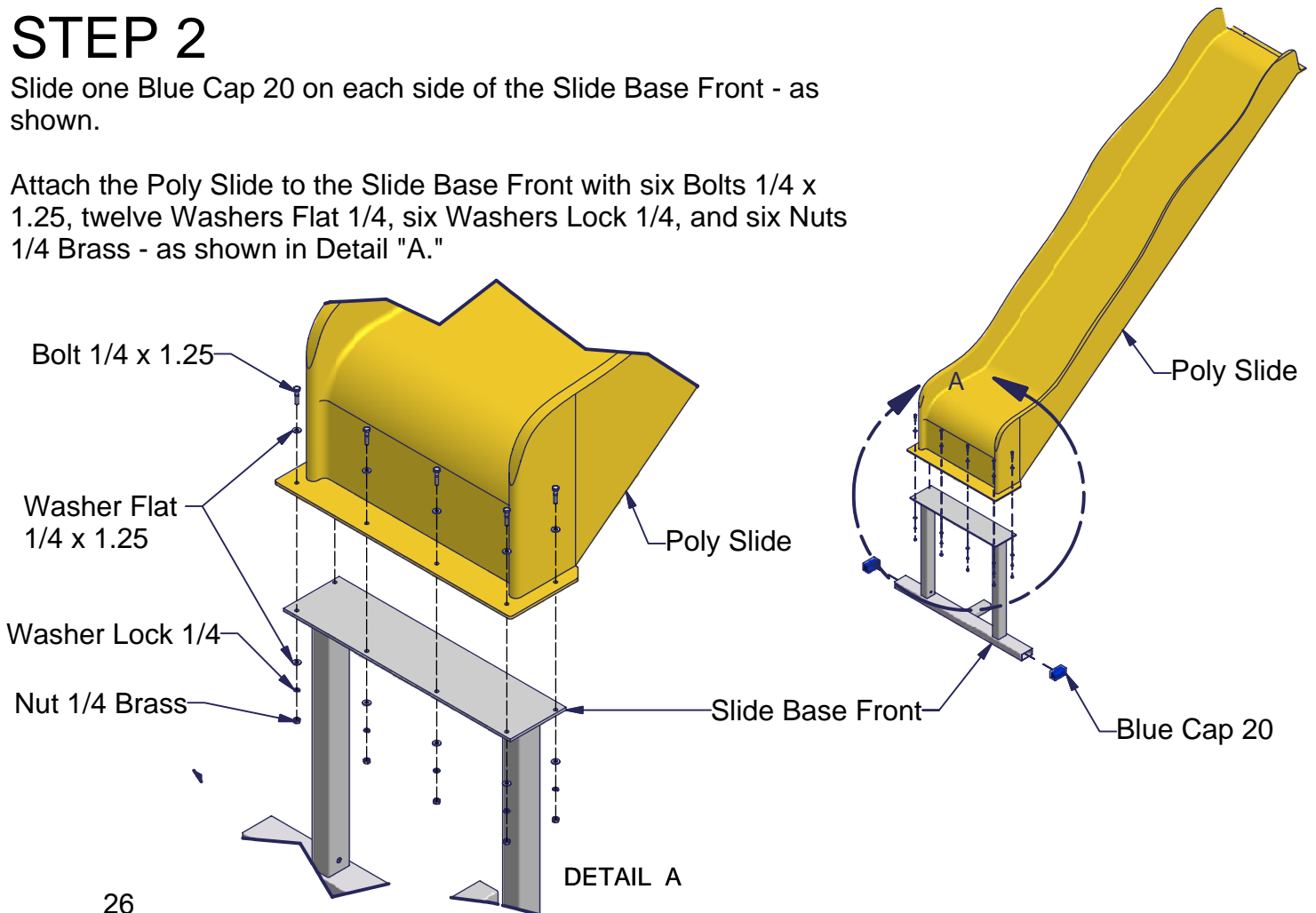
Attach the Bottom Beam 116.5 to the Ladder Base with one Bolt 3/8 x 2.5, two Washers Flat 3/8 one Washer Lock 3/8 and one Nut 3/8 Brass - as shown in Detail "A."



STEP 2

Slide one Blue Cap 20 on each side of the Slide Base Front - as shown.

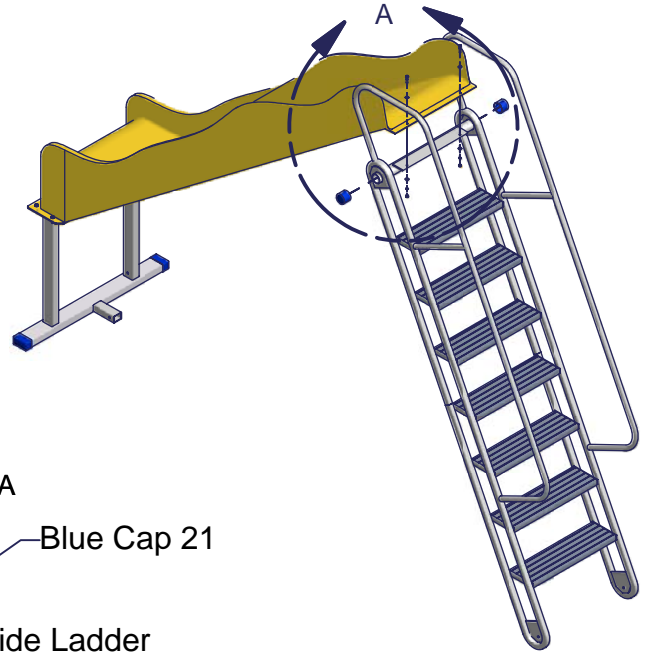
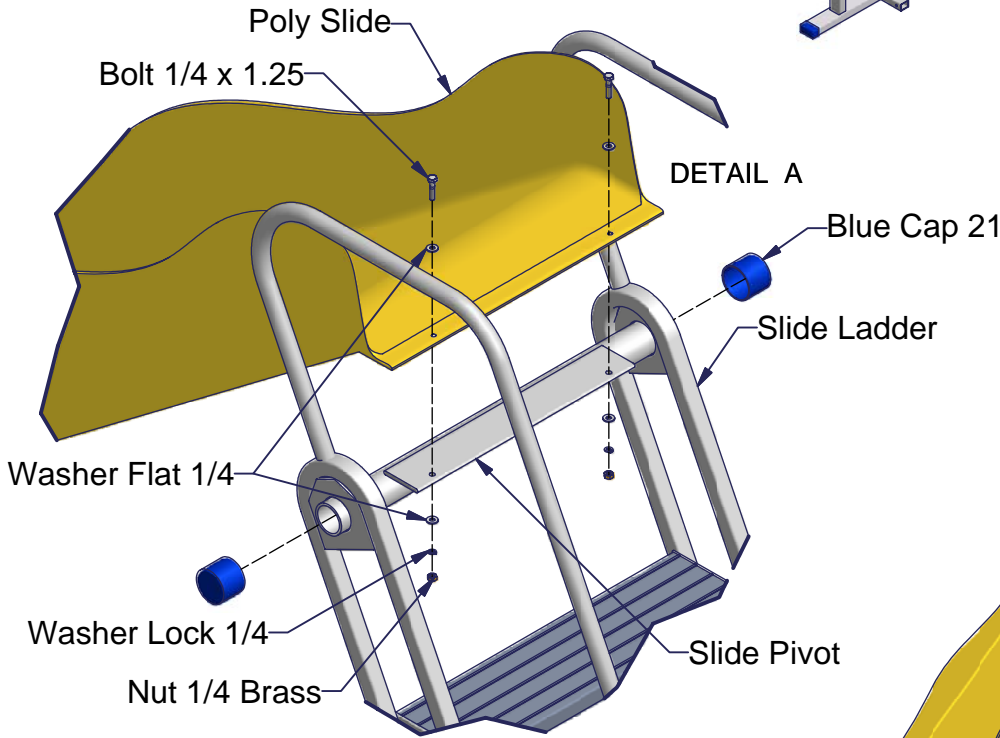
Attach the Poly Slide to the Slide Base Front with six Bolts 1/4 x 1.25, twelve Washers Flat 1/4, six Washers Lock 1/4, and six Nuts 1/4 Brass - as shown in Detail "A."



STEP 3

Insert the Slide Pivot into the top of the Slide Ladder. Insert one Blue Cap 21 on each side of the Slide Pivot - as shown in Detail "A."

Attach the Poly Slide to the Slide Pivot with two Bolts 1/4 x 1.25, four Washers Flat 1/4, two Washers Lock 1/4 and two Nuts 3/8 Brass - as shown in Detail "A."



STEP 4

Attach the Slide Ladder to the Slide Ladder Base with two Bolts 3/8 x 1.25, four Washers Flat 3/8, two Washer Lock 3/8 and two Nuts 3/8 Brass - as shown in Detail "A."

Connect the Bottom Tube 116.5 to the Slide Base Front with one Bolt 3/8 x 2.5, two Washers Flat 3/8 one Washer Lock 3/8 and one Nut 3/8 Brass - as shown in Detail "B."

