

2NM Solar Barge Light

BargeSafe™ Solar 2NM



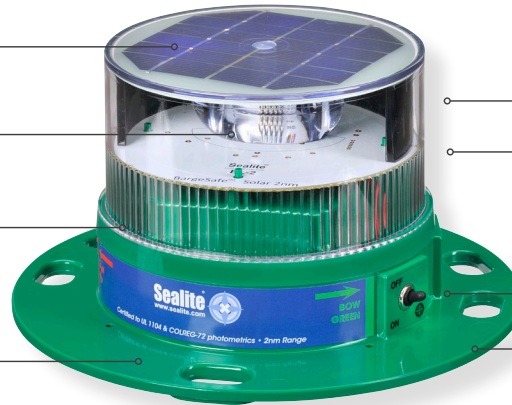
Optional Peep-Light available

Large internal solar module

Ultra high intensity LED

Lens and base moulded from UV-stabilised LEXAN® polycarbonate

Internal user-replaceable battery in sealed compartment



Precise light sectoring achieved via Sealite's world-class lens

Automatic night activation

Convenient ON/OFF switch

Large 200mm bolt pattern for secure installation

Meets UL 1104 Applicable Sections for a 2NM Barge Light & COLREG-72 Compliant

The Sealite BargeSafe™ Solar 2NM is a solar-powered barge light designed to meet UL 1104 and COLREG-72 standards.

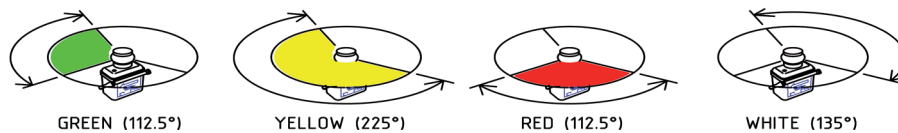
The LED barge light sets a new standard and incorporates a host of innovative features designed to make the unit extremely user-friendly.

The world-class LED lens is designed and manufactured by Sealite and achieves precise intensity and sectoring requirements from a single LED light source.

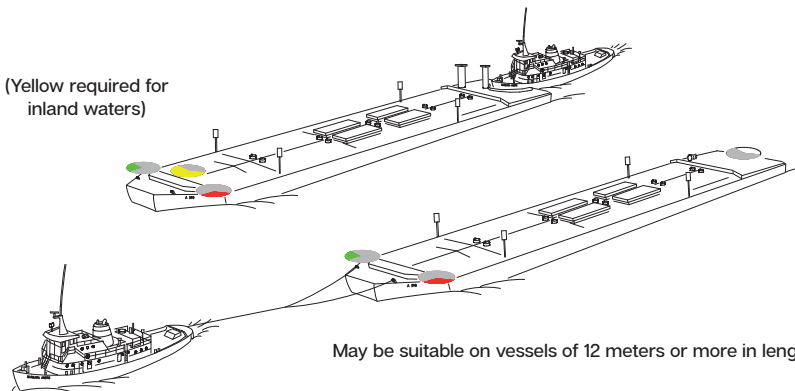
Made from tough, durable polycarbonate and using the latest high intensity LED and a uniquely designed lens the BargeSafe™ Solar 2NM light has an incredibly low power consumption. The light can be installed in minutes, requires no operator intervention and has a permanent ON/OFF switch for easy storage.

During daylight hours the solar module will charge the battery and the light will automatically begin operation at dusk – once the ambient light threshold drops sufficiently.

The sealed battery compartment allows the battery to be replaced after years of service.



(Yellow required for inland waters)



May be suitable on vessels of 12 meters or more in length, but less than 50 meters in length.

User Advantage

- 2NM visible range
- Certified to UL 1104 & COLREG-72 photometrics
- Ultra low power consumption
- Precise light sectoring achieved via Sealite's world-class lens
- Advanced LED technology
- Completely self-contained solar/battery light
- User-replaceable battery in sealed compartment
- NiMH battery for long service life & wide temperature range
- ON/OFF storage switch

Reliable

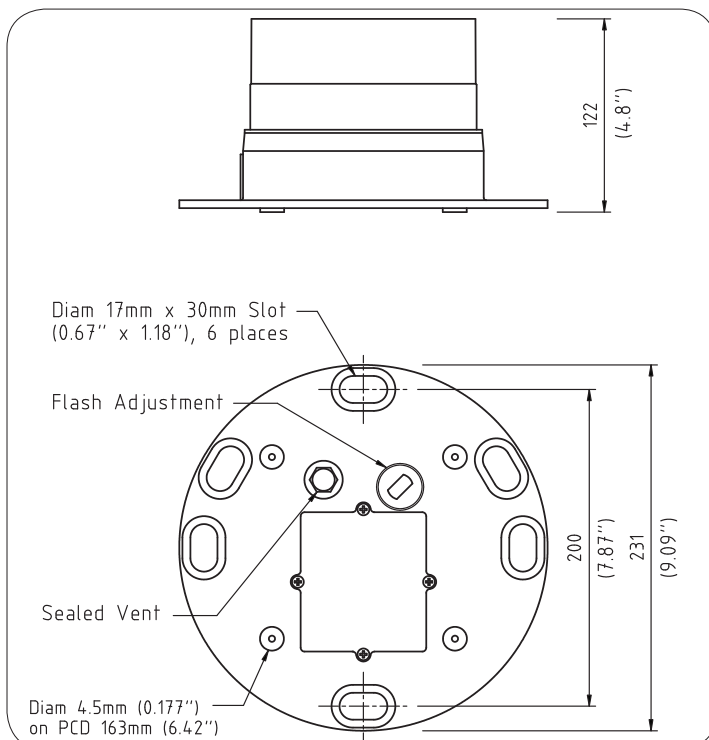
- IP68 waterproof
- Robust

Technical Specifications *

BargeSafe™ Solar 2NM	
Light Characteristics	
Light Source	1 ultra-high intensity LED
Available Colours	Red, Green, White, Yellow
Visible Range (NM)	AT @ 0.74: 2+ AT @ 0.85: 2.3+
LED Life Expectancy (hours)	>100,000
Electrical Characteristics	
Circuit Protection	Integrated
Nominal Voltage (V)	3.6
Autonomy (days)	>20
Temperature Range	-40 to 80°C
Solar Characteristics	
Solar Module Type	Multicrystalline
Output (watts)	1.4
Power Supply	
Battery Type	High grade NiMH
Battery Capacity (Ah)	8
Nominal Voltage (V)	3.6
Physical Characteristics	
Body Material	LEXAN® Polycarbonate – UV-stabilised
Lens Material	LEXAN® Polycarbonate – UV-stabilised
Lens Diameter (mm/inches)	150 / 5 7/8
Lens Design	Internal optics
Mounting	3 & 4 hole 200mm bolt pattern
Height (mm/inches)	122 / 4 7/8
Width (mm/inches)	231 / 9 1/4
Mass (kg/lbs)	1 / 2 1/4
Product Life Expectancy	Up to 12 years ^
Certifications	
Approvals	UL 1104. COLREG-72
IALA	Signal colours compliant to IALA E-200-1
Quality Assurance	ISO 9001:2015
Waterproof	IP68
Intellectual Property	
Trademarks	SEALITE® is a registered trademark of Sealite Pty Ltd BargeSafe™ is a trademark of Sealite Pty Ltd
Warranty *	1 year
Options Available	<ul style="list-style-type: none"> • 16Ah battery • 50mm pole mount adapter plate



Technical Illustrations



We believe technology improves navigation™



Sealite Pty Ltd
Australia
☎ +61 (0)3 5977 6128

Sealite Asia Pte Ltd
Singapore
☎ +65 6829 2243

Sealite United Kingdom Ltd
UK
☎ +44 (0) 1502 588026

Sealite USA LLC
USA
☎ +1 (603) 737 1311

