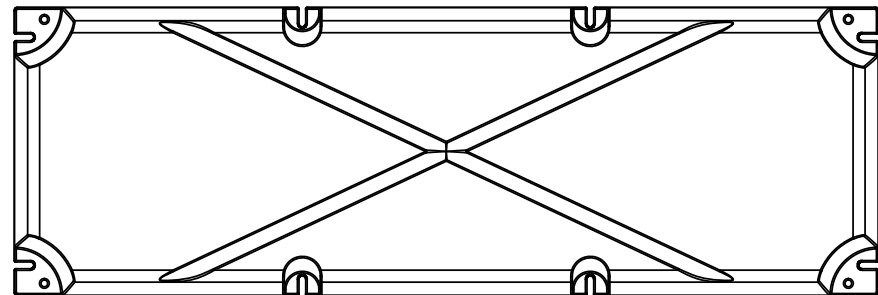
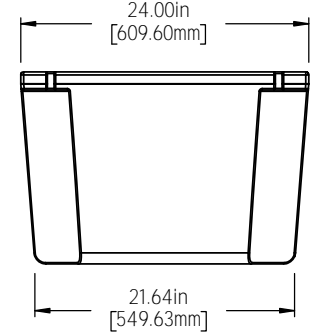
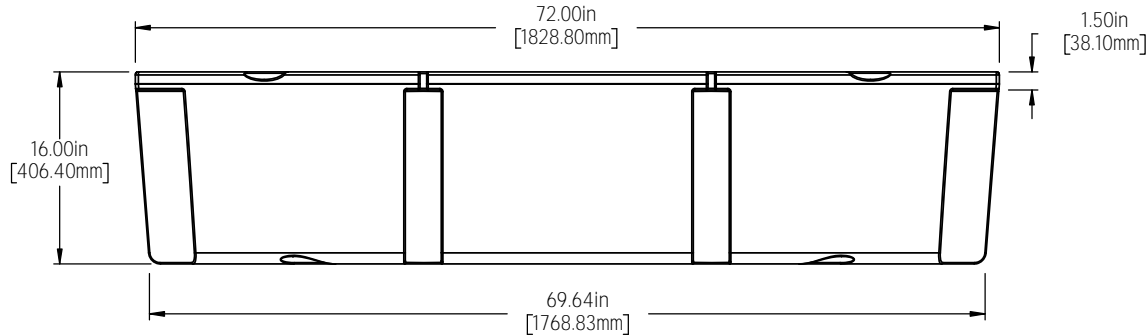
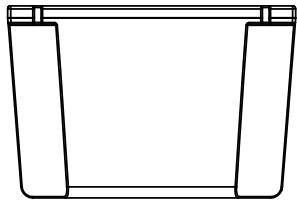
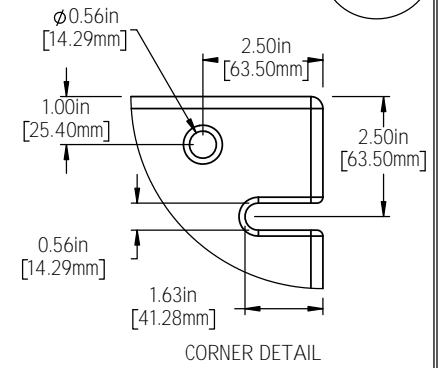
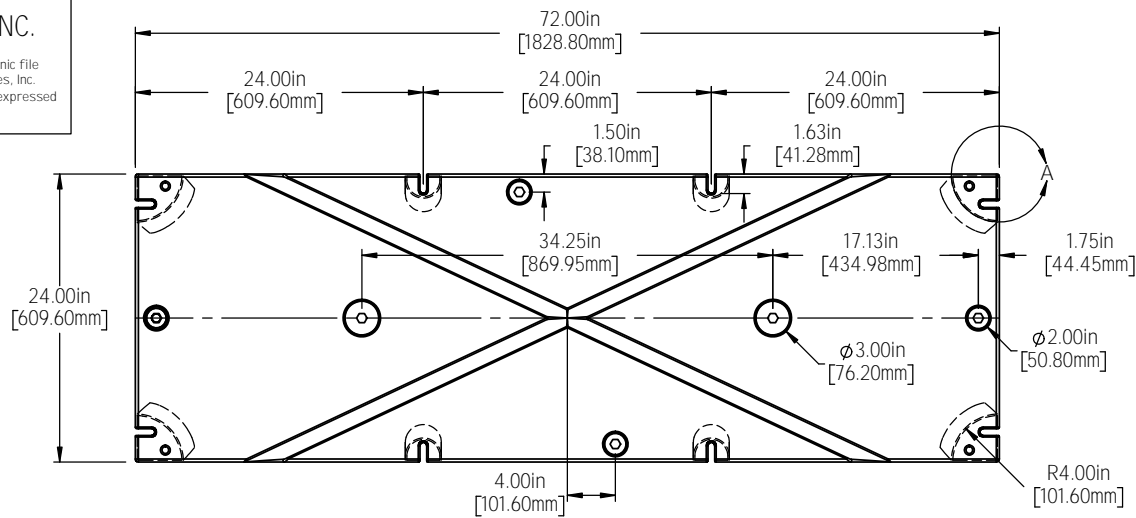


© DEN HARTOG INDUSTRIES, INC.

Copyright. All information furnished within this document, electronic file or design correspondence is the property of Den Hartog Industries, Inc. and shall not be used, disclosed to others or copied without the expressed written consent of Den Hartog Industries, Inc.

2472-16



NOTE: BUOYANCY IS 796.00 LBS.(361.0 KG)

REV	DESCRIPTION	BY / DATE	CCN	DRAWN / DATE ADH 12/28/15	MATERIAL 10546
				APPRD. / DATE REH 3/8/16	
				SHOT WEIGHT: 42.00 LBS	NOTES: 1.) AF = 42 LB.(19.1 KG) 2.) FF = 57 LB. (25.9 KG)
				SHIPPING WEIGHT: SEE NOTES	
				FINISH:	

Den Hartog

INDUSTRIES, INC.

Ace Roto-Mold Injection Molding Blow Molding Sowjoy

4010 HOSPERS DRIVE S. BOX 425, HOSPERS, IOWA 51238-0425

DESCRIPTION	24 x 72 x 16 FLOAT
SCALE	N.S.
PART NO.	2472-16

ALL DIMENSIONS ARE IN DECIMAL INCHES TOLERANCES UNLESS OTHERWISE SPECIFIED

POLYETHYLENE METAL
DECIMAL ± .125"
FRACTION ± 1/4"
ANGLE ± 1°

±1% @ 68°F

