

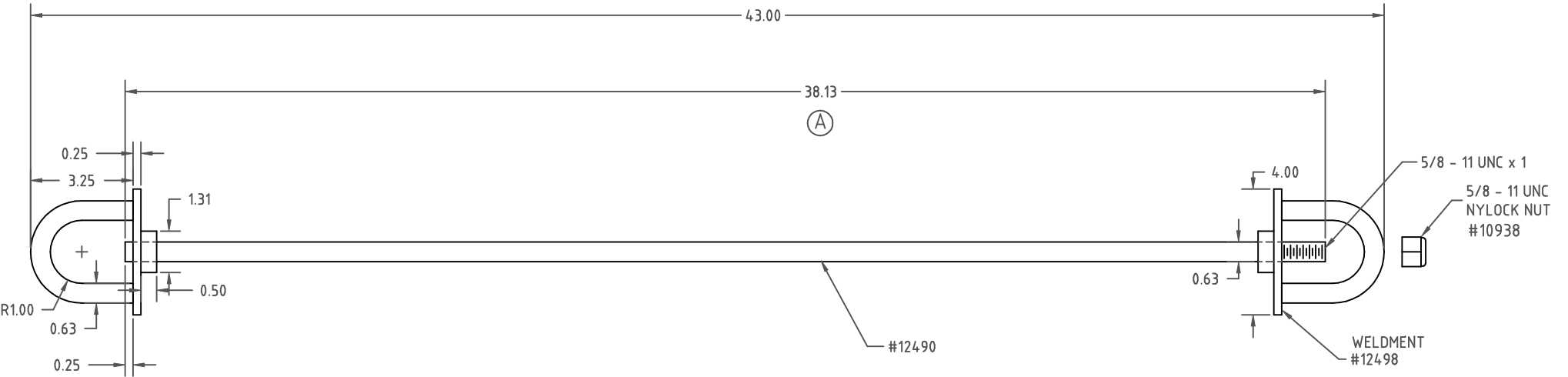
PROPRIETARY DATA


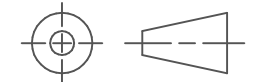
INFORMATION FURNISHED HEREIN IS THE PROPERTY OF DEN HARTOG INDUSTRIES INC. AND SHALL NOT BE USED, DISCLOSED TO OTHERS, OR COPIED WITHOUT EXPRESSED WRITTEN CONSENT OF DEN HARTOG IND. ALL RIGHTS RESERVED.

ⓑ

FFMB-38FRND

ⓑ



B		CHANGED P.N.	10/27/10 REH	2106	DRAWN /DATE DHJ 10/17/07	MATERIAL MILD STEEL GALVANIZED FINISH	 Ace Roto-Mold A DIVISION OF DEN HARTOG INDUSTRIES, INC. 4010 HOSPERS DRIVE S., BOX 425, HOSPERS, IOWA 51238
A		ADD TO LENGTH WAS 37.75	6/11/09 DHJ		APPRD. /DATE REH 2/16/09		
REV	DESCRIPTION		DATE	APPRD.	CCN	NOTES:	SCALE NONE
ALL DIMENSIONS ARE IN DECIMAL INCHES TOLERANCES UNLESS OTHERWISE SPECIFIED			THIRD ANGLE PROJECTION ANSI 14.5M				PART NO. FFMB-38FRND
± .062							