

# DOCK EDGE INC.

## THE LEADING EDGE OF DOCK INNOVATION

13th EDITION

**CMP**

Canada Metal (Pacific)  
[cmpgroup.net](http://cmpgroup.net) | [sales@canmet.com](mailto:sales@canmet.com)

# About **DOCK EDGE** **INC.**

When you purchase Dock Edge products, you are investing in quality marine products that are durable and reliable. Each product is manufactured with a commitment and dedication to superior workmanship and quality.

Founded in 1991, Dock Edge + Inc. began primarily as a manufacturer of dock bumper profiles. Through acquisitions and innovative development, the company has expanded its' product range to include unique marine aftermarket products that give the boating consumer more selection and value.

Our distinctive product styles whether, traditional or contemporary, are inspired by our continuous commitment to offer products that revolutionize the boating industry and make mooring or docking effortless and simple. Our ongoing efforts to provide "green" products has spawned an innovative, extensive and growing line of solar products suitable for boat and marine applications. It has always been our goal to manufacture consumer adaptable products that any boater, cottager or dock builder can use. We believe that innovation and development are important in our industry, and we take great pride in pursuing this excellence.

We listen to your needs, and welcome your comments on improving and developing new products to our mutual benefit. Our experienced, dedicated and knowledgeable staff are always ready and willing to serve you, and provide complete customer satisfaction.

This Dock Edge catalogue contains a wealth of information about our company and our complete range of products. You will find a selection of products that can adapt to almost every boating and mooring application. Convenient dock construction samples and guides included in these pages will prove valuable from the novice to even the most experienced.

As always, we wish to extend our sincerest gratitude to you, our customers. Your loyalty and support has made it possible for us to grow from a small company manufacturing dock bumpers, to where we are today, "Manufacturer of the Worlds Finest Dock Systems, Hardware and Accessories".


The road ahead is a never-ending adventure, and we will not rest as long as there are customers, who, like yourself, are determined to purchase only the finest quality dock equipment in the world.

# PRODUCT INDEX

Product	Description	Page(s)
Dock Bumper Profiles	Air Cushion™ & Premium Dock Bumper Profiles	1 - 2
	Premium Foam Profiles	3
	ProDock Commercial Grade Profiles	4
	Standard PVC Profiles,	5 - 6
	Economy PVC Profiles, Profile Fasteners	7
Dock Corner & Spot Protection	SuperSoft, Xtreme, Dock Corners, Torpedo, DockSide™, Oceanus™, Wheels	8 - 11
Dock & Boat Accessories	SUP/Kayak Rack, SUP/Kayak Holder, Dock Wheels, Wheel Axle Kit, Piling Caps, Boat Cover Bows, Flag Poles, Boarding Buddy, iCart™ & SmartCart™	12 - 15
Solar Lighting	Solar Marker Light, Solar Under Water Light, Post & Surface Mount Light, Panoramic Dock Lite, CleatLite™, Piling Lite, DockLite™, Pro DockLite™, Solar Dock Cleat, Post Top Light, Starlite™	16 - 23
Cleats	Stainless Steel Bollard, Dock Builders, Classic™, Premium Flip-Up™, "S", Open Base, Cast Iron, Molded, Flip-Up™, PortaCleat™, InstaCleat™	24 - 28
Mooring	Mooring Whips, Ultimate, Premium & Economy Mooring Arms for both PWC & Larger Craft, Wake Watchers	29 - 30
Ladders	Aluminum Flip-Up, Fixed & Slide-Up, Stainless Steel, Quick Release, Roto-Molded, ECO-Ladder Flip-Up & Fixed	31 - 33
Life Ring Buoys	D.O.T., U.S.C.G.A., S.O.L.A.S. Approved & Recreational	34
Boat Fenders	Dolphin™ Twin-Eye Ribbed, Twin-Eye Smooth, Center Hole	35
Dockside™ Fenders	Dockside™ Fenders, TITAN™, FD Series & 'TOON	36
Buoys & Accessories	Mooring Buoys, Chain Collars, Chain Swivel	37
Fender & Line Accessories	Fender Lines, Mooring Snubbers, Fender Adjusters, Straps, Fender Lok™	38
Dock Floatation	Howell™ Empty 250, 400, 550 Dock Floats TITAN™ Foamed 250, 400, 600 Dock Floats	39
Floating Dock Kit	D.I.Y. Floating Dock Kit, Dock 2 Go	40
Dock Hardware, Stationary	1/8" Hot-Dip Galvanized Hardware & Accessories	41 - 42
Dock Hardware, Floating	1/4" Hot-Dip Galvanized Hardware & Accessories	43 - 45
Dock Hardware Kits	Floating, Stationary & Assembly Hardware Kits	46
Dock Planning, Stationary Docks	Stationary Dock Construction & Planning Guides	47 - 49
Construction Assistance	Stationary Dock Construction Hints & Tips	50
Dock Planning, Floating Docks	Floating Dock Construction & Planning Guides	51 - 53
Construction Assistance	Floating Dock Construction Hints & Tips	54
Sales & Promotional Materials	POGs, Literature, Videos	55
Warranties	DockEdge Product Warranties, Trademarks & Proprietary Information	Rear Inside Cover

Watch throughout this catalogue for Quick Tips **QT**: at the bottom of each page for product or installation recommendations to make your docking experience pleasant and trouble-free.

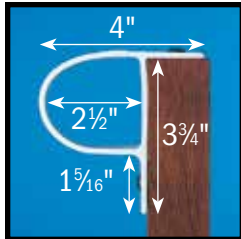
# 1 AIR CUSHION™ PROFILES

 AIR TRAPPED INSIDE THESE PROFILES, CUSHIONS IMPACT JUST LIKE A PRESSURIZED FENDER, BUT MOUNT PERMANENTLY, EXACTLY WHERE NEEDED FOR FULL TIME PROTECTION.

These profiles are constructed of marine grade flexible PVC, developed not to chip or crack under normal usage. Unaffected by oil, gas or salt water. **UV inhibitors and fungicides** prevent fading, yellowing, deterioration from sunlight and unsightly blotching. Protect your investment with a durable “fender soft” protection system.

Easily installed on any horizontal or vertical surface. Large Air Cushion sections with large air volume provide excellent protection when used corners, end plugs and connectors. Corners, end plugs, connectors and stainless steel screws, sold separately.

## SINGLE “P”

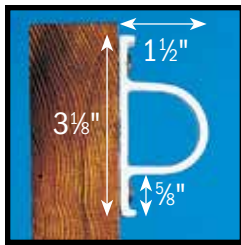


WHITE	BLACK	NAVY BLUE	DESCRIPTION
DE1001F	DE1001BF	DE1001NF	Single “P” 32' (9,8m) /Ctn    4 - 8' (2,4m) pcs
DE1028F		DE1028NF	Large Profile Connector, 2/ Bag
DE1048F	DE1048BF	DE1048NF	Large Outside Corner Connector, 2/ Bag
DE1026F	DE1026BF	DE1026NF	Large Profile End Cap, 2/ Bag
DE1052F		DE1052NF	Premium Corner Outside, Large, (1Pc/Pk)

**CONNECTORS**      **CORNERS**      **END CAPS**      **PREMIUM CORNER**



## SINGLE “D”

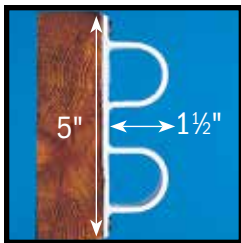


WHITE	DESCRIPTION
DE1004F	Single “D” 80' (24,4m) /Ctn    10 - 8' (2,4m) pcs
DE1029F	Small Profile Connector, 4/ Bag
DE1049F	Small Outside Corner Connector, 4/ Bag
DE1027F	Small Profile End Cap, 4/ Bag

**CONNECTORS**      **CORNERS**      **END CAPS**



## DOUBLE “D”

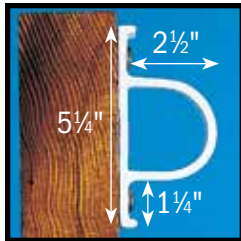
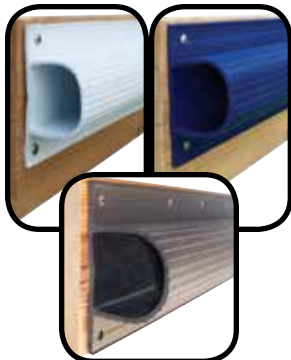


WHITE	NAVY BLUE	DESCRIPTION
DE1002F	DE1002NF	Double “D” 40' (12,2m) /Ctn    5 - 8' (2,4m) pcs
DE1029F	DE1029NF	Small Profile Connector, 4/ Bag
DE1049F	DE1049NF	Small Outside Corner Connector, 4/ Bag
DE1027F	DE1027NF	Small Profile End Cap, 4/ Bag

**CONNECTORS**      **CORNERS**      **END CAPS**



## SUPER SAVER™



WHITE	BLACK	NAVY BLUE	DESCRIPTION
DE1015F	DE1015BF	DE1015NF	Super Saver™ 24' (7,3m) /Ctn    3 - 8' (2,4m) pcs
DE1028F		DE1028NF	Large Profile Connector, 2/ Bag
DE1048F	DE1048BF	DE1048NF	Large Outside Corner Connector, 2/ Bag
DE1026F	DE1026BF	DE1026NF	Large Profile End Cap, 2/ Bag

**CONNECTORS**      **CORNERS**      **END CAPS**

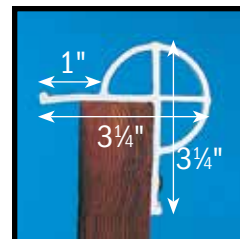
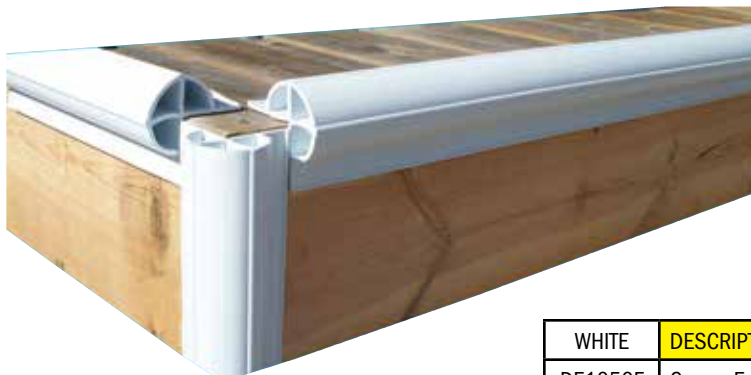


Like all Dock Edge + profiles, these premium profiles are specifically constructed to be flexible so that they may be mounted vertically or horizontally and on rounded or flat surfaces. This makes these profiles possibly the most versatile and useful addition to your dock as well as the most protective of your watercraft.

As with ALL Dock Edge + PREMIUM profiles, each is manufactured from prime, marine grade PVC with **UV inhibitors and fungicides** for years of anti-yellowing and integral protection of your dock bumper system.

**CORNER EDGE**

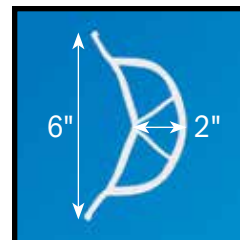
- Corner edge is ideal for vertical & horizontal applications
- Curved design allows for mounting on pilings
- Heavy duty design with integral ribs give added support



WHITE	DESCRIPTION
DE1050F	Corner Edge 48' (14,6m) /Ctn    6 - 8' (2,4m) pcs

**PILING BUMPER**

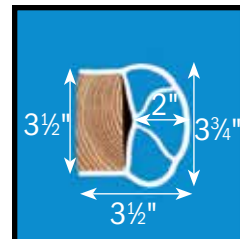
- Piling bumper is ideal for vertical & horizontal applications
- Curved design allows for mounting on pilings
- Heavy duty design with integral ribs give added support



WHITE	BLACK	DESCRIPTION
DE1020F	DE1020BF	Piling Bumper 6' (1,8m) Lengths, Capped one end (Top)

**PILING POST BUMPER**

- Ideal for pilings
- Designed to mount to 2" x 4" or 4" x 4" pilings
- For boats up to 90 ft. in length

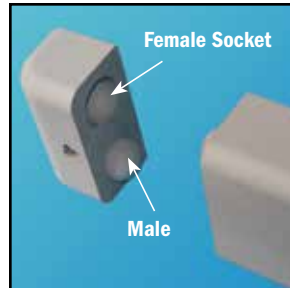
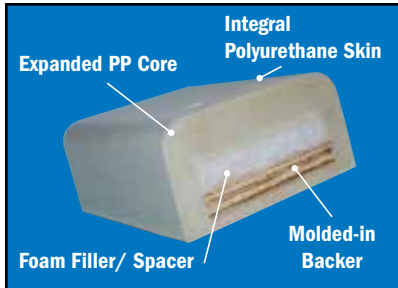
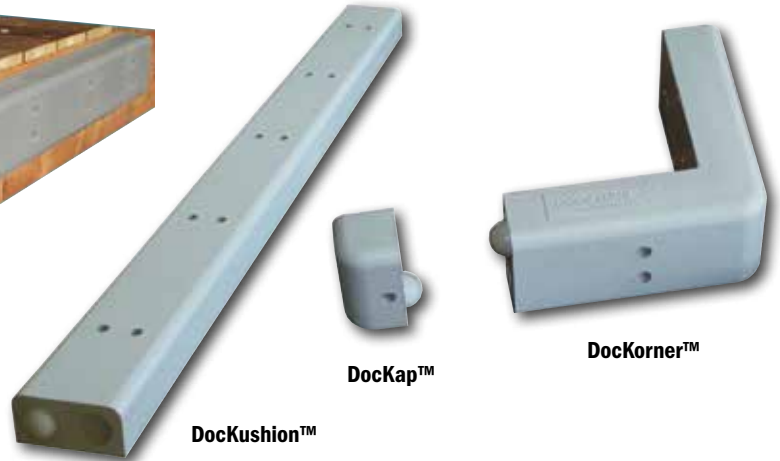


WHITE	BLACK	DESCRIPTION
DE1022F	DE1022BF	Piling Post Bumper 6' (1,8m) Lengths, Capped one end (Top), 2x4 Mount

#### DocKushion™

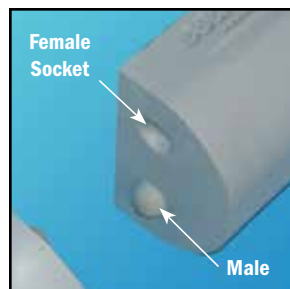
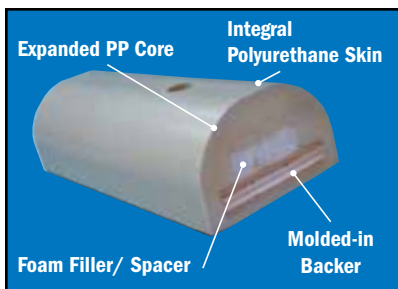
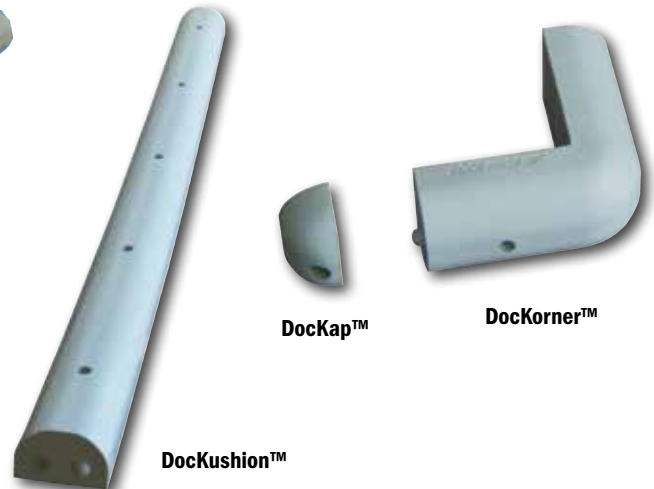
The ultimate in protection, DocKushion™ modular bumper systems are ideal for numerous applications. No need for fenders any more! This revolutionary design incorporates a soft expanded polypropylene core surrounded by an integral polyurethane skin with **UV inhibitors and fungicides**. This creates the softest bumper you can treat your boat to. A molded-in backer allows strong secure mounting. Unique male and female sockets at the ends make joining the pieces a snap for a seamless look. Use #8 or #10 x 2½" stainless steel screws. Connect DocKushion™ lengths end-to-end for long runs. End caps and corners complete your system for a professional, clean looking job.

#### DocKushion™ Large



PART #	DIMENSIONS
DE1150F	DocKushion™ Large 48 x 2 x 4" (121,9 x 5,1 x 10,2cm)
DE1151F	DocKorner™ Large 9" (22,9cm)
DE1152F	DocKap™ Large 2" (5,1cm), 2 Pcs/Pk

#### DocKushion™ Small



PART #	DIMENSIONS
DE1153F	DocKushion™ Small 48 x 1½ x 2½" (121,9 x 3,8 x 6,4cm)
DE1154F	DocKorner™ Small 5½" (14,0cm)
DE1155F	DocKap™ Small 1¼" (3,2cm), 2 Pcs/Pk

**ALL Dock Edge + PRODOCK Profiles have molded-in UV Inhibitors and Fungicides.**

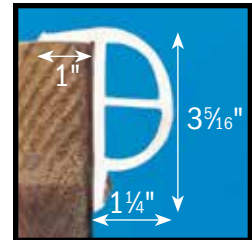
Our PRODOCK Profiles are the ultimate in heavy-duty cushioning and offer years of protection for your boat. Available in three different styles and colors with heavier walls and integrally molded ribs where desirable for superior strength and durability.

PRODOCK commercial grade heavy-duty vinyl profiles have a smooth high-gloss finish and are manufactured with 100% virgin material with UV inhibitors and fungicides.

PRODOCK Profiles will retain their resilience in all weather conditions and resist discoloration, mildew, salt water, hardening and tearing. Ideal for use in marinas and larger commercial applications.

**HEAVY "P"**

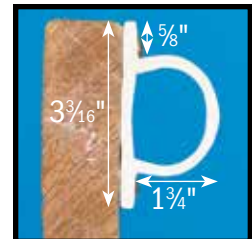
- Ideal for all applications
- Integral rib for added support
- Low profile to ensure boat fenders don't catch bumper



WHITE	BEIGE	GREY	DESCRIPTION
DE1200F	DE1201F	DE1202F	HEAVY "P" 24' (7,3m) /Ctn    3 - 8' (2,4m) pcs

**HEAVY "D"**

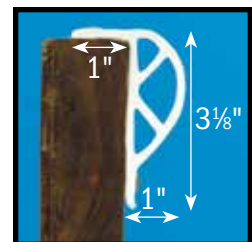
- Ideal for vertical and horizontal applications
- Use in areas where more side protection is needed
- Easy to mount



WHITE	BEIGE	GREY	DESCRIPTION
DE1205F	DE1206F	DE1207F	HEAVY "D" 24' (7,3m) /Ctn    3 - 8' (2,4m) pcs

**HEAVY SLANT "P"**

- Ideal for all applications
- Integral rib for added support
- Low profile to ensure boat fenders don't catch bumper



WHITE	BEIGE	GREY	DESCRIPTION
DE1210F	DE1211F	DE1212F	HEAVY SLANT "P" 24' (7,3m) /Ctn    3 - 8' (2,4m) pcs

**HEAVY SLANT "P" CORNER**

- Fits heavy slant "P" profiles
- Rotomolded for even wall thickness
- Easily fits into profile
- No gluing needed



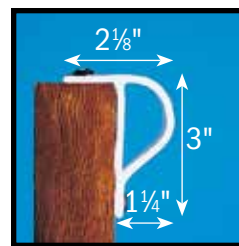
WHITE	BLACK	DESCRIPTION
DE1054F	DE1054BF	Heavy Slant "P" Corner

ALL Dock Edge + Standard PVC Profiles have molded-in UV Inhibitors and Fungicides.

## SLANT "P"

Provides a larger contact area for added protection, combined with resiliency and durability. Can be installed in minutes.

- Slanted face is designed to prevent hanging boat fenders from getting caught underneath the profile in rough waters
- Perfect for small boats and PWC
- PVC material with UV and fungicides
- Extruded in three 8' lengths or a 16' roll with a mounting line, easy to mount

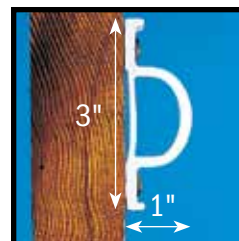


WHITE	BEIGE	GREY	BLACK	DESCRIPTION
DE1180F	DE1181F	DE1182F	DE1183F	16' (4,9m) Roll
DE1106F	DE1110F	DE1114F	DE1117F	24' (7,3m) /Ctn    3 - 8' (2,4m) pcs

## STANDARD "D"

This versatile and strong profile without a lip can be mounted vertically or horizontally anywhere on the dock face. Great for pilings too.

- "D" Dock Bumper Profile is extruded with flexible PVC material that is excellent for use on all docks
- Perfect for small boats and PWC
- PVC material with UV and fungicides
- Extruded in a 16' roll with a mounting line, easy to mount

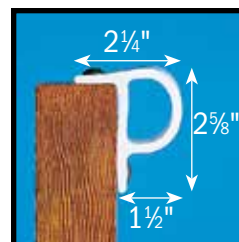


WHITE	BEIGE	GREY	BLACK	DESCRIPTION
DE1190F	DE1191F	DE1192F	DE1193F	16' (4,9m) Roll

## SMALL "P"

Perfect for small outboards or personal watercraft. Will retain resiliency and brilliance for years. Can be installed in minutes.

- Can be mounted on the top of the dock as well as horizontally underneath. Excellent for use on all docks
- Perfect for small boats and PWC
- PVC material with UV and fungicides
- Extruded in three 8' lengths or a 16' roll with a mounting line, easy to mount



WHITE	BEIGE	GREY	BLACK	DESCRIPTION
DE1170F	DE1171F	DE1172F	DE1173F	16' (4,9m) Roll
DE1105F	DE1109F	DE1113F	DE1118F	24' (7,3m) /Ctn    3 - 8' (2,4m) pcs



**FLEXGUARD**

The Flexguard profile is specifically constructed to be flexible so that it may be mounted on round or flat surfaces which makes this profile bumper the most versatile and useful addition to your dock. Commercial grade protection system for your investment.

- Each 25' length can be cut and is easily installed on any horizontal or vertical surface
- Profile is constructed of marine grade flexible PVC, will not chip or crack under normal usage.
- Unaffected by oil, gas or salt water.
- UV Inhibitors and Fungicides prevent yellowing, deterioration from sunlight and unsightly blotching.

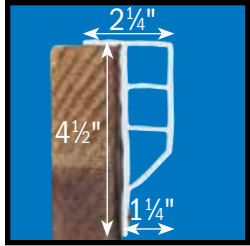


WHITE	BEIGE	GREY	DESCRIPTION
DE1075F	DE1076F	DE1077F	25' (7,6m) Roll

**FULL FACE**

Ideal for applications needed to cover 4½" stringers. Slanted bottom side ensures fenders can slide without catching the profile. Large contact area ensures maximum protection, and cross girder ensures strength and durability.

- Extra strength and security against damage to boats or property
- Double internal ribs for added support
- PVC material with UV and fungicides
- Extruded in three 8' lengths or a 16' roll with a mounting line, easy to mount

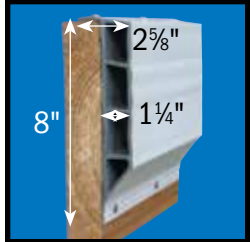


WHITE	BEIGE	GREY	BLACK	DESCRIPTION
DE1160F	DE1161F	DE1162F	DE1163F	16' (4,9m) Roll
DE1104F	DE1108F	DE1112F	DE1116F	24' (7,3m) /Ctn    3 - 8' (2,4m) pcs

**SUPER FULL FACE**

Extra-wide profile surface. Co-extruded heavy-duty ribbed vinyl construction with bright white finish. Molded-in UV Inhibitors and Fungicides. Ideal for marinas, dock builders and commercial applications. 1¾" (3,5cm) mounting flanges.

- Integral Ribs ensure heavy duty absorption
- Smooth glossy finish
- Flexible PVC Material
- Extruded in two 6' lengths with a mounting line, easy to mount

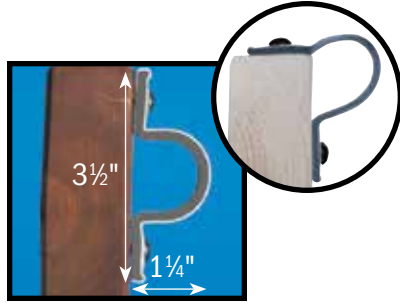


WHITE	DESCRIPTION
DE1230F	12' (3,7m) /Ctn    2 - 6' (1,8m) pcs/Ctn

ALL Dock Edge + Economy PVC Profiles have molded-in UV Inhibitors and Fungicides.

## "C" GUARD

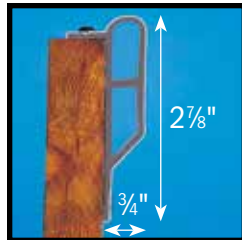
The economy "C" Guard co-extruded profile is made to exacting standards from marine grade PVC with UV inhibitors and fungicides. Ideal for light to medium duty applications, it will not crack or distort with temperature extremes and comes in easy to install 6' (1.8m) lengths or 10' (3.0m) coils. It can be used on flat surfaces as well as on pilings.



WHITE	GREY	DESCRIPTION
DE1125F	DE1129F	90' (27,4m) /Ctn    15 - 6' (1,8m) pcs
DE1133F		24' (7,3m) /Ctn    4 - 6' (1,8m) pcs
DE1131F		10' (3,0m) Roll, Bagged
DE1132F		10' (3,0m) Roll, Carton

## DOCK GUARD

The economy Dock Guard co-extruded profile can be used in light to medium duty applications. It features a raised lip for gunwale protection on ski and bass boats. Fabricated from marine grade PVC with UV inhibitors and fungicides.

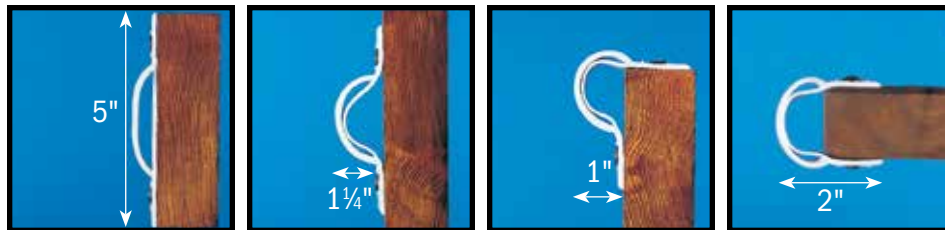


WHITE	DESCRIPTION
DE1126F	90' (27,4m) /Ctn    15 - 6' (1,8m) pcs
DE1134F	24' (7,3m) /Ctn    4 - 6' (1,8m) pcs
DE1135F	10' (3,0m) Roll, Bagged
DE1136F	10' (3,0m) Roll, Carton

## UNIVERSAL

Unique design allows mounting in several configurations to suit any application. Mount flat on docks for traditional use, as a heavy-duty double wall fender, or as a corner protector. It is equally effective when mounted on pilings. May also be used on docks manufactured from 1" or 2" boards with no side trim. It mounts easily over the edge of deck boards. Prevent boat damage during docking with this UNIVERSAL Profile.

WHITE	DESCRIPTION
DE1012F	1 Roll, 12' (3,7m)
DE1010F	1 Roll, 25' (7,6m)



## PVC SOLVENT CEMENT



Clear PVC solvent. Ideal for cementing all Corners, End Plugs and Connectors to AIR CUSHION™ Profiles to create the AIR CUSHION™ System.

PART #	DESCRIPTION
DE1051F	4 Fluid oz. (125 ml) incl. Applicator*

\*May be subject to shipping restrictions.

## PROFILE FASTENERS



Stainless steel will prevent unsightly staining caused by rusting of regular steel fasteners. Recommended for use with all profiles.

PART #	DESCRIPTION	QUANTITY
DE1006F	Stainless Steel Screws, 7/16" head diameter	100 pcs/ Bag

**SuperSoft Bumper™**

This SuperSoft bumper is great for large boats and has corner and straight designs

- Premium marine grade PVC
- Easily installed on most docks
- Additional protection when docking
- UV protected to guard against discoloration
- Microguard anti-microbial treated

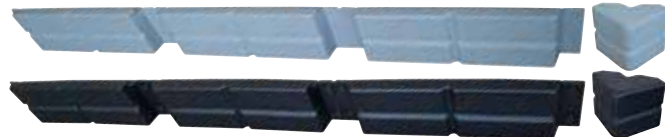


WHITE	DESCRIPTION
DE73303F	17.5" x 6" (44,5 x 15,2cm) SuperSoft Corner Bumper
DE73306F	39" x 6" (99,1 x 15,2cm) SuperSoft Straight Bumper

**Xtreme Dock Bumper**

The Xtreme system provides a safe and clear dock that is free from tripping hazards like power cords and hoses. The Xtreme dock bumper also secures power cords to reduce the risk of them falling into the water.

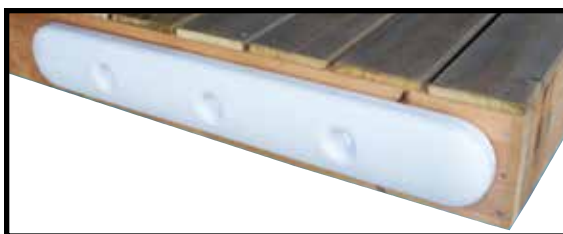
- Cable trough system with multiple entry points
- Constructed from durable, non-scuffing and recyclable high density polyethylene and ideal for larger vessels
- Easy to cut into individual sections with a saw
- Easy installation - requires only screws, screw bit, drill and saw for cutting
- Designed for common 2" x 6" joist constructed docks topped with 2" decking
- Supplied as 74" lengths of 3 sections which can be cut to 24 5/8"
- Colours - grey and black
- Dock bumper system protects hull and sides of boat



GREY	BLACK	DESCRIPTION
DE1030GF	DE1030EF	74 x 7 7/8" (187,9 x 20,0cm) Xtreme Straight Bumper
DE1032GF	DE1032EF	8 x 8" (20,3 x 20,3cm) Xtreme Corner Bumper

**UltraGard™**

This bumper is manufactured from the same quality PVC as our Dolphin™ boat fenders and offers the ultimate in cushioning of impacts from your boat. Molded-in ribs on the interior of the UltraGard™ ensure it is very soft, but durable and will not collapse. The back has a slight radius allowing for easy mounting on pilings.



WHITE	BLACK	DESCRIPTION
DE1008F	DE1008BF	35 x 2 1/4 x 5" (88,9 x 5,7 x 12,7cm)

**Supra Bumper™**

This bumper is great for large boats and the back has a slight radius allowing for easy mounting on pilings. Made from marine grade PVC and UV protected to guard against discoloration.



WHITE	DESCRIPTION
DE73011F	34 x 5 1/8 x 3 3/4" (86,4 x 13 x 9,5cm)

**DockSide™ Oceanus Bumpers**

These heavy-duty rotomolded bumpers incorporate all the benefits of a multi-usage product with the strength and integrity you've come to know from Dock Edge + products. Its' design, will not only protect the lower bow but anywhere you install an Oceanus bumper.

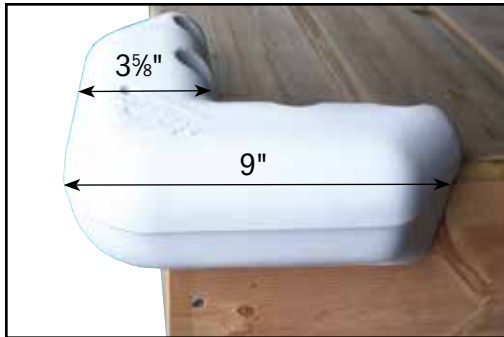
Fabricated to be permanently secured in place, it also has grooves which act as reinforcing ribs and can be used for temporary strapping in places where fastening isn't allowed. Ideal for commercial & marina applications. Fabricated with UV inhibitors and fungicides. Includes screw-in inflation valve.



WHITE	BLACK	NAVY BLUE	DESCRIPTION
DE73071F	DE73076F	DE73079F	Oceanus HD Dock Bumper

**Corner Bumpers**

Protect your vessel from damaging impact by using premium dock corners. This air-filled bumper is constructed from PVC with UV inhibitors and fungicides. Features a built-in air valve for inflation or deflation if necessary.

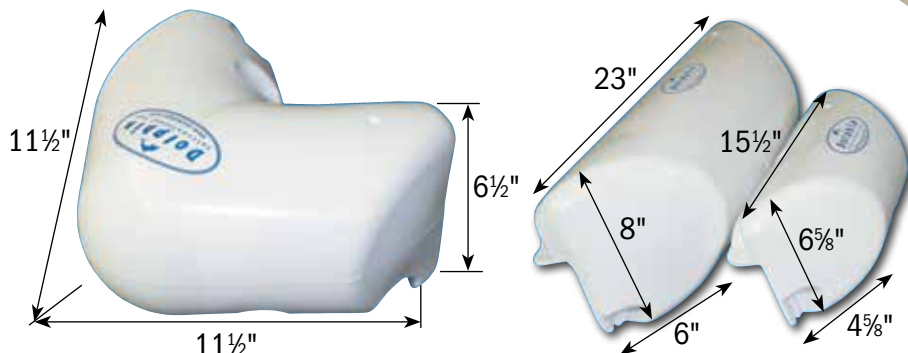
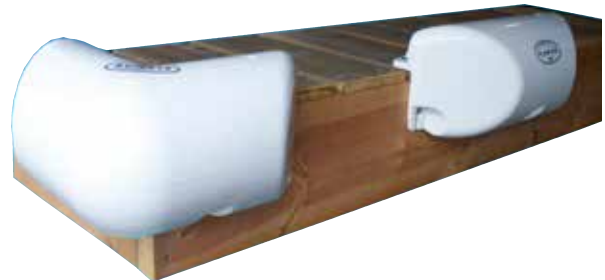


WHITE	BEIGE	GREY	BLACK	NAVY BLUE
IN BULK (Display packaging w/ header card & fasteners not included)				
R1034	R1062	R1075	R1056	R1003
SINGLE PACK w/ Header Card and fasteners				
DE10571F	DE1057BF	DE1057GF	DE1057EF	DE1057NF

**DockSide™ Bumpers**

Industrial strength with the standard quality and performance of Dolphin™ fenders

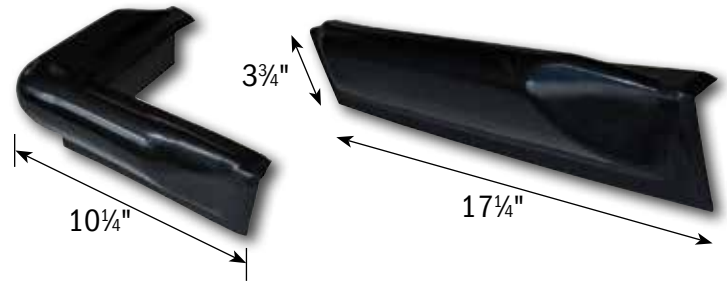
- The ultimate in heavy impact protection
- Rugged, air filled heavy-wall molded PVC & integral inflation valve
- Angled ends to deflect craft
- Use straight bumpers in pairs to form inside corners
- Excellent gunnel protection



WHITE	DESCRIPTION
DE1060WF	Straight, 6 5/8 x 15 1/2" (16,8 x 39,4cm)
DE1062WF	Straight, 8 x 23" (20 x 58,4cm)
DE1064WF	Corner, 11 1/2 x 11 1/2" (29,2 x 29,2cm)

**Dock Guard™ Dock Bumper Kit**

This rotomolded bumper kit is fabricated from soft vinyl with UV inhibitors and fungicides. Each piece has angled ends to deflect craft and molded-in ribs for additional strength. The contours of each piece protects above as well as the dock face, providing excellent gunnel protection for bass and ski boats. Mounts easily in minutes and is suitable for all applications.

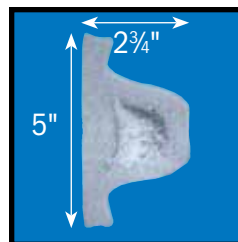
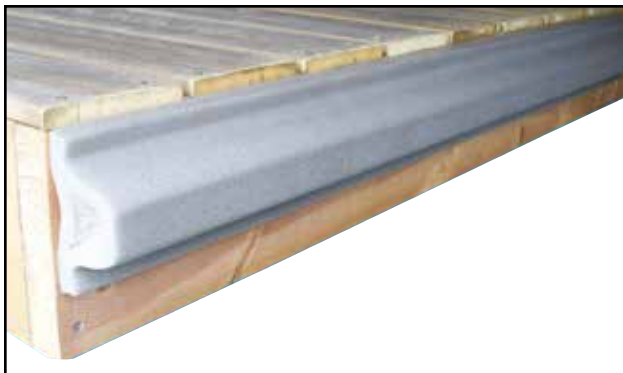


WHITE	BLACK	DESCRIPTION
DE73100F		Dock Bumper Kit (3 Pcs): Corner (1pc), Straight (2pc)
DE73103F	DE73104F	Corner Bumper only, 10" (30,5cm)
DE73106F	DE73107F	Straight Bumper only, 17" (45,7cm)

**Boat Shield™**

This extruded polyethylene foam bumper with **UV Inhibitors** is contoured at the back so it can be mounted both horizontally on your dock or vertically on pilings. The beveled edge helps deflect your boats' fenders so they do not catch under the profile. Ends can be easily mitered for inside or outside corners.

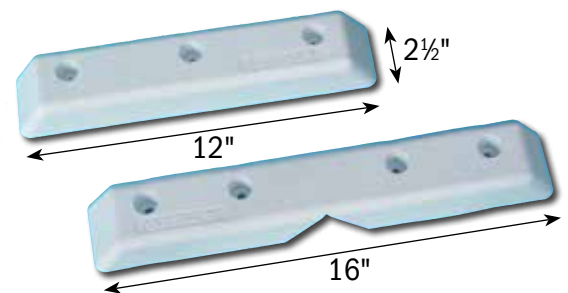
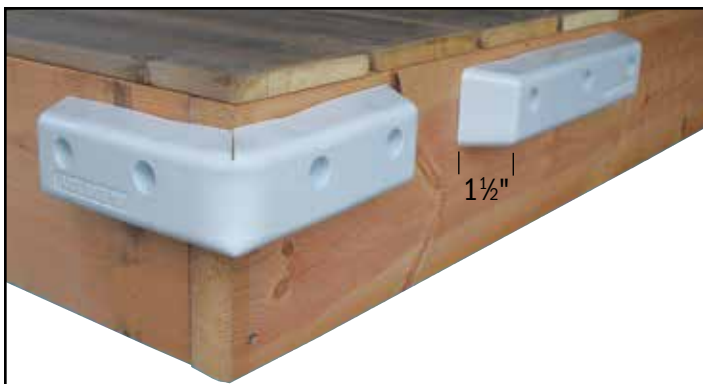
The light grey color matches up with the color of weathered wood. *Stainless Steel screws and washers included.*



PART #	DESCRIPTION
DE1007F	48 x 2 3/4 x 5" (121,9 x 7,0 x 12,7cm)

**Protect™**

These Heavy-duty Bumpers are manufactured from PVC with UV Inhibitors and Fungicides, have excellent shock absorption qualities and will not mark or mar the hull of your boat. The Protect™ Straight and Protect™ Corner Bumpers also have many industrial applications where cushioning and protection are required.



WHITE	DESCRIPTION
DE1058F	Protect™ Straight, HD, 12" (30,5cm), PVC
DE1059F	Protect™ Corner, HD, 16" (40,6cm), PVC

## Torpedo Pipe Bumpers

These large, durable bumpers add an attractive and functionally rugged cushion to the leg pipes of your docking system. Fabricated from the same quality material as our Dolphin™ fenders, each measures 18" (45,7cm) tall with a diameter of 6" (15,2cm). Each torpedo bumper also includes a molded-in air valve for easy inflation or deflation as desired. When placed over dock leg pipes and mounting brackets, they prevent damage to your craft from protruding bolts. Designed to fit pipe up to 2" (5,1cm) O.D.

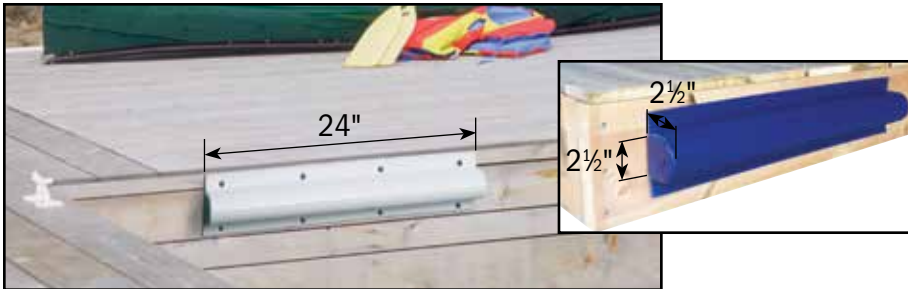


WHITE	BEIGE	GREY	BLACK	NAVY BLUE	ROYAL BLUE	DESCRIPTION
DE91110F	DE91114F	DE91117F	DE91118F	DE91104F	DE91113F	18" (45,7cm), 6" (15,2cm) Dia.

## Boat Saver™



**AIRCUSHION™** spot protection. It's like having a fender mounted just where you need one the most. Order several for complete protection. Can be mounted vertically or horizontally on docks, pilings or boat houses. Combine with other high quality Dock Edge + Profiles for total protection. Molded-in UV Inhibitors and Fungicides. Includes stainless steel fasteners.



WHITE	NAVY BLUE	DESCRIPTION
DE1005F	DE1005NF	24" (61cm)

## Dock Wheels

Smooth rolling wheels offer substantial dock cushioning and feature molded-in valves to adjust the level of firmness. Heavy-duty, hot dip galvanized hardware mounts securely to the dock. Guides boats into your slip easily, regardless of wind and current conditions.

Integrally molded ribs on both top and bottom of these wheels makes them valuable dock and boat protection and formidable guards against impacts.



WHITE	BLACK	DESCRIPTION
DE95078F	DE95088F	9" (22,9cm) Wheel
DE95072F	DE95082F	12" (30,5cm) Wheel
DE95077F	DE95087F	18" (45,7cm) Wheel

### Line & Utility Holder

High impact polyethylene (HDPE) ensures a long life. Mounts easily with three screws. Use for keeping floor spaces free by storing wakeboards, electrical cords, hose lengths, rope, skis, oars, paddles, life rings and more. So many uses you'll wonder how you ever managed without it.



PART #	DESCRIPTION	QUANTITY
DE91409F	Line Holder, Black HDPE	Each
DE91410F	Line Holder, Black HDPE	2 Pcs/ Pkg

### Shore Power Clip

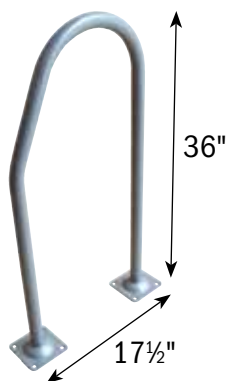
A safe and reliable way to secure electrical shore power cords in high traffic areas. Easy to install and use, the Shore Power Clip is designed to hold a standard 30 Amp marine power cord in its' low profile, "toe friendly" shape.



PART #	DESCRIPTION	QUANTITY
DE91200F	Shore Power Clip	4Pcs /Bag

### Boarding Buddy Hand Rail

For safe convenient access both on and off a boat or dock. Ideal for any docking platform to help prevent accidents. Textured, high gloss, 1½" (3,8cm) O.D. tubing with grey powder coated finish and 7/16" punched mounting holes for carriage bolts or lags.



PART #	DESCRIPTION
DE90800F	Boarding Buddy Hand Rail

### Instant Grommet

These reusable instant grommets easily snap into place on plastic, cloth and canvas to replace torn out grommets. Also ideal for customizing tarps or attaching weights onto boat covers to keep them taut. Other handy uses include camping, trucking, construction and on the farm.



PART #	DESCRIPTION	QUANTITY
DE95234F	Instant Grommet	4Pcs /Bag

## Dock Wheel Axle Kit

Use our simple installation kit to quickly convert your fixed dock to a rolling dock on wheels. Make your dock installation and removal easy. Install wheels inside or outside, (wheels purchased separately).



PART #	DESCRIPTION
DE85235F	Dock Axle Kit

## Dock & Boat Lift Wheels

These rotomolded wheels are available in 18" (45,7cm) or 24" (61,0cm) diameters and up to 700lb (317,5kg) or 800lb (362,9kg) capacity per wheel respectively. These tough, rigid wheels offer stress, crack and impact resistance. They roll easily over virtually any terrain and will not rust on the axle. Use for roll-in docks or boat lifts. All wheels accept a 1 7/8" (4,8cm) O.D. axle. HD Wheel capacity exceeds 2000lb (907,2kg) ea.



PART #	DESCRIPTION	WHEEL STRENGTH
DE90024F	24" (61cm) Dock Wheel	Premium, 800lb (362,9kg)
DE90026F	24" (61cm) Dock Wheel	Premium Foamed, 800lb (362,9kg)
DE90028F	24" (61cm) Dock Wheel	Premium Heavy-duty, 2000lb (907,2kg)
DE90029F	24" (61cm) Dock Wheel	Standard, Blow Molded, 700lb (317,5kg)
DE90021F	18" (45,7cm) Dock Wheel	Premium, 700lb (317,5kg)

## Boat Cover Bows

Made of heavy-duty fiberglass, these strong flexible bows will hold up even the heaviest boat covers and prevent pools of water from forming. Easy to cut if a custom fit is desired.



PART #	DESCRIPTION
DE91603F	Fiberglass Bow Set 6' (1,83m), 2 x 3' (0,914m) incl. S.S. connector & molded slat sockets (2)
DE91604F	Fiberglass Bow Set 8' (2,44m), 2 x 4' (1,22m) incl. S.S. connector & molded slat sockets (2)

## Piling Caps

Protect the tops of pilings from splintering and weathering. These attractive and functional piling caps are fabricated from polypropylene with UV inhibitors and will give your moorings a finished appearance as well as assist in preventing unsightly messes from shore birds. Available in Flat-Top or Conical and in 6 sizes.



WHITE	BLACK	DESCRIPTION
DE91871F	DE91872F	7" (17,8cm) Conical
DE91881F	DE91882F	8" (20,3cm) Conical
DE91891F	DE91892F	9" (22,9cm) Conical
DE91801F	DE91802F	10" (25,4cm) Conical
DE91811F	DE91812F	11" (27,9cm) Conical
DE91821F	DE91822F	12" (30,5cm) Conical

WHITE	BLACK	DESCRIPTION
DE91971F	DE91972F	7" (17,8cm) Flat
DE91981F	DE91982F	8" (20,3cm) Flat
DE91991F	DE91992F	9" (22,9cm) Flat
DE91901F	DE91902F	10" (25,4cm) Flat
DE91911F	DE91912F	11" (27,9cm) Flat
DE91921F	DE91922F	12" (30,5cm) Flat



**Flexi-Flag™ Poles**

These all-fiberglass grey flag poles are the answer to rusty metal or painted wooden poles. Designed to withstand high winds, these non-conductive poles will never rust or corrode and are great for docks, decks, marinas, patios, cottages or home use. Cast aluminum bases provide a long life. Brass-look pole ball tip and stainless steel mounting hardware included.

18' (5,5m) comes with swivel system to greatly reduce tangles.

21' (6,4m) comes with conventional pulley and line system.



PART #	DESCRIPTION	ft	m	QTY.
DE6018F	Pole, No Flag	18	5,5	1/ctn
DE6018AF	Pole, USA Flag	18	5,5	1/ctn
DE6018CF	Pole, CAN Flag	18	5,5	1/ctn
DE6021F	Pole, No Flag	21	6,4	1/ctn
DE6021AF	Pole, USA Flag	21	6,4	1/ctn
DE6021CF	Pole, CAN Flag	21	6,4	1/ctn
DE6045F	Pole, Wall Mount, No Flag	7	2,1	1/pkg
DE6045AF	Pole, Wall Mount, USA Flag	7	2,1	1/pkg
DE6045CF	Pole, Wall Mount, CAN Flag	7	2,1	1/pkg
DE6050AF	USA Flag, 27 x 54" (68,6 x 137,2cm), Nylon			1/pkg
DE6051CF	CAN Flag, 27 x 54" (68,6 x 137,2cm), Nylon			1/pkg

**Smart Cart**

- 8.77 ft³ (0.24 m³) cargo area
- Removable ends
- Collapsible for convenient, compact storage
- 20" E-Z-Roll Pneumatic tires
- Corrosion resistant aluminum frame & panels
- 300lb (136 kg) capacity



PART #	DESCRIPTION
DE90700F	SmartCart™, convenience cart

**iCart**

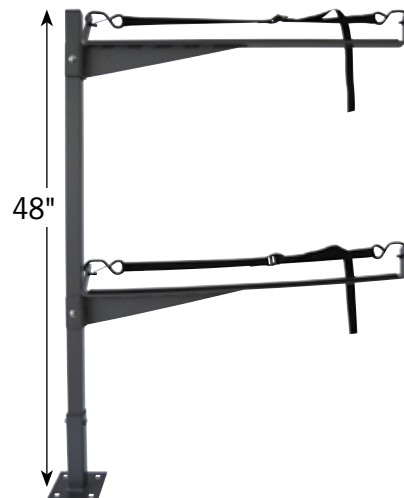
- Removable heavy-wall poly bucket
- 6.24 ft³ (0.17 m³) cargo area
- Powder coated steel frame
- 16" E-Z-Roll Pneumatic tires
- 300lb (136 kg) capacity
- Quick & simple assembly



PART #	DESCRIPTION
DE90600F	iCart with pneumatic tires
DE90605F	iCart with solid tires

## SUP/Kayak Rack

- 32" (81.3 cm) wide support arms fits 2 kayaks, canoes, pdl, surf boards, etc.
- Adjustable locking straps, with locking hook at one end
- Supports many times the weight of an average kayak
- 2' (61 cm) spacing lower rack
- Top rack open to accommodate any height
- Robust powder coated metal square tubing combined with thick metal fabrications & MIG welded for strength
- Universal mount is easy to assemble and take down
- Removable bolt detaches assembly for quick storage
- Powder coated popular grey Hammertone



PART #	DESCRIPTION
DE90815F	SUP/Kayak Rack- 2Pc/ Pk

## Kayak Holder

- Easily mounts to your dock, deck, boathouse or any vertical surface
- Supports many times the weight of an average kayak
- 1.5" (3.8 cm) round steel tubing and heavy-duty steel construction with powder coated bracket
- Thick layer of foam protects your board or kayak from scratches
- Folds away when not in use to conserve space
- Mounting hardware not included due to widely varying mounting surfaces



PART #	DESCRIPTION
DE90810F	Kayak Holder- 2Pc/ Pk

## PWC Ramps

### 1200 lb. Capacity

- Designed for boats up to 1200 lb and personal watercraft. Includes the weight of the watercraft, motor, fuel and any gear onboard
- Aluminum hardware
- Polyurethane rollers
- Heavy-duty pulling winch



PART #	DESCRIPTION
DE85412F	PWC Ramp 1200 lb.

### 2000 lb. Capacity

- Designed for boats up to 2000 lb including the weight of the watercraft, motor, fuel and any gear onboard
- Aluminum hardware
- Wobble rollers
- Heavy-duty pulling winch



PART #	DESCRIPTION
DE85420F	PWC Ramp 2000 lb.

### Dock Edge Solar Lights Icon Identification

Use this guide to identify the icons that will appear on the Solar Light pages that follow.



Indicates the number of LED's the light has.



Indicates the number of hours the light is capable of running on a full charge.



Indicates if the battery/battery pack can be replaced by the user.



Indicates the number of lumens the light emits.

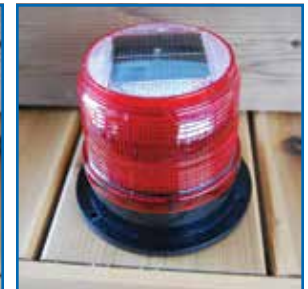


Indicates the type of water location best suited for the light. Either F=Fresh Water only or B=Both Fresh and Salt Water.

#### Solar Marker Light

These automatic on-at-dusk lights are great for pilings and docks.

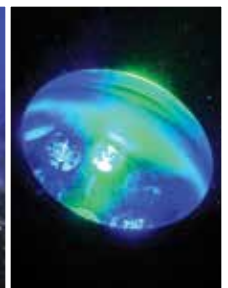
- Size 4 $\frac{7}{8}$ " x 3 $\frac{15}{16}$ "
- 6pc LED is visible for 1000m
- Constant/Flashing/Off switch
- Flashes 35 times/minute
- Runs for 45 hrs flashing or 20 hrs constant on a full charge
- Lithium 1000mAh non-replaceable battery
- Waterproof IP44



CLEAR	AMBER	RED	DESCRIPTION
DE96501F	DE96503F	DE96507F	Size 4 $\frac{7}{8}$ " x 3 $\frac{15}{16}$ "

#### Solar Under Water Light

- Mounts to floating and stationary docks
- 7 colours to choose from using remote control
- Includes 3 waterproof lights and wiring
- Heavy duty mounting brackets and hardware included
- Extends up to 24 ft. between lights
- Includes large solar panel and battery w on/off switch
- Easy to assemble
- Up to 80 lumens



PART #	DESCRIPTION
DE96283F	Solar Under Water Light - 3Pc/ Ctn

**Post & Surface Mount Light with Motion Sensor**

- Stainless steel light mounts on posts or any vertical surface
- Powerful solar charging performance
- Up to 3 metres and 90° detection angle vertically and horizontally
- White LED illuminates for 15 seconds when motion is detected
- Blue LED illuminates in standby
- Replaceable, rechargeable battery
- 40 lumens (emitted light)



2 LED's   40 Lumens   10:00 HRS   F   [Battery Icon]

PART #	DESCRIPTION
DE96280F	Post & Surface Mount Light with Motion Sensor

**Panoramic Dock Lite**

- Perfect for docks and decks
- Automatic on-at-dusk
- Weatherproof, durable
- Works 8 hours on a full charge
- Replaceable, rechargeable battery
- 4-5 lumens (emitted light)



4 LED's   5 Lumens   8:00 HRS   B   [Battery Icon]

PART #	DESCRIPTION
DE96286F	Panoramic Dock Lite

**Solar Dock Bumper LED Lights**

- LED string lights up to 8 ft. long and can be seen from a distance
- Easily installs to dock side, simply side mount to dock
- Strong and adjustable flex arm with integrated bracket
- Light can easily be adjusted by hand to point lights in any direction
- Lights can be moved or removed
- Lights pointed into the water can be used to attract fish



50 LED's   40 Lumens   10:00 HRS   B

PART #	DESCRIPTION
DE96284F	Solar Dock Bumper LED Lights

**QT:** Post & Surface Mount Light with Motion Sensor great for cottage and home use. Acts as a security light.

**Solar Sentinel™**

The Solar Sentinel™ is a solar station, which is not only attractive but also adds value and function to your docking area. Each Solar Sentinel™ incorporates stylish, durable solar lighting on an attractive, broad-based, tapered pillar to illuminate docking areas. The Solar Sentinel™ also has the capability of acting as a Life Ring station. The optional Stainless Steel "J" hook can securely keep a Life Ring at the ready and under the convenient illumination of the Solar Sentinel™ by day or through the darkest hours of night. Includes solar light, tapered pillar and replaceable rechargeable AA batteries. 40 lumens of emitted light. 12 hour run time.

37"



PART #	DESCRIPTION
DE96252F	Solar Sentinel, 35" (88,9cm), Includes solar light
DE90036F	"J" Hook, Stainless Steel, Optional

**CleatLite™**

These solar lights are mounted on top of a sturdy galvanized steel base, housed inside an attractive, Colonial style 12" (30,5cm) tall, 4" (10,2cm) wide vinyl pillar. Easy to install and NO WIRES. These decorative and functional dock accessories will add style to your dock day or night. The lamp is designed to illuminate your boat, dock and stainless steel cleat, and not shine in your eyes.

Each kit includes, pillar, stainless steel cleat, galvanized mounting base, solar light and replaceable rechargeable AA battery. 40 lumens of emitted light. 12 hour run time.

12"



PART #	DESCRIPTION
DE96250F	CleatLite™

**Piling Lite**

- Ideal for docks, decks, walkways and driveway or slip entries
- Attractive, Functional & Weatherproof
- Up to 12 hour run time
- Bright white LED / 360° Illumination
- Powerful solar charging performance
- Installs easily with no wires
- Attractive & rugged broad-based ABS pillar
- Fits piling diameters 7" (17,8cm) and up
- Replaceable, rechargeable (Ni-MH) AA batteries
- 40 lumens (emitted light)

9 7/8"



PART #	DESCRIPTION
DE96264F	Piling Lite™

**DockLite™**

The wireless solar aluminum DockLite™ is easy to install. Its' durable, weatherproof low profile construction makes it an attractive and functional addition to docks, walkways, decks and landings. Ideal for illuminating trouble spots on pathways or transition areas such as from dock to shore. With extended duty solar charged batteries the DockLite™ will last until sunrise. Automatic on-at-dusk. Easily withstands pedestrian and moderate vehicle traffic such as hand carts and more. 6 lumens of emitted light. 12 hour run time.

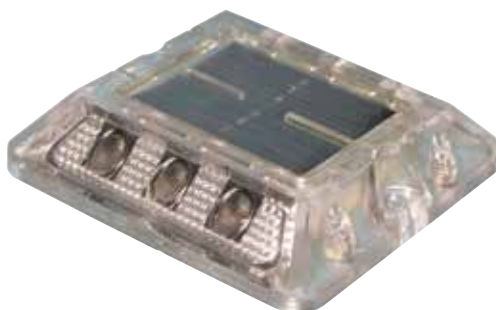


6 LED's   6 Lumens   12:00 HRS   B

PART #	DESCRIPTION
DE96255F	DockLite™

**Pro DockLite™**

Each Pro DockLite comes individually packed in an attractive, consumer friendly carton. Low profile weatherproof construction and durability. Replaceable, rechargeable batteries included. 6 lumens of emitted light. 10 hour run time.



**Perfect for**

- Docks
- Walkways
- Decks
- Landings

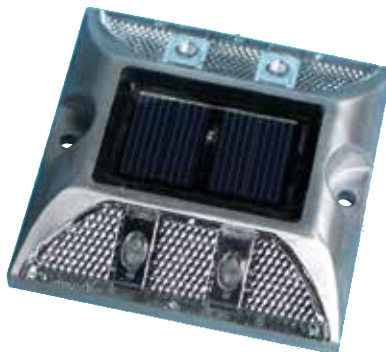
6 LED's   6 Lumens   10:00 HRS   F   Rechargeable

PART #	DESCRIPTION
DE96257F	Pro DockLite™

**HD Aluminum DockLite**

Light up your dock, deck or pathways with this attractive, matte finish, high-intensity aluminum Solar DockLite.

- Automatic on-at-dusk
- Installs easily with NO wires
- Corrosion resistant aluminum
- Bright white LEDs, 5 lumens (emitted light)
- Traffic tolerant, Toe friendly design
- 10 hour run time



4 LED's   5 Lumens   10:00 HRS   B

PART #	DESCRIPTION
DE96263F	HD Aluminum DockLite

**DockLite Value Pack**

This value pack of solar DockLites is easy to install. The durable, weatherproof low profile construction makes them an attractive and functional addition to docks, walkways, decks and landings. Ideal for illuminating trouble spots on pathways or transition areas such as from dock to shore. 6 lumens of emitted light. 10 hour run time.

- Automatic on-at-dusk
- Weatherproof and Durable
- Install easily with NO wires
- Traffic tolerant, toe friendly design

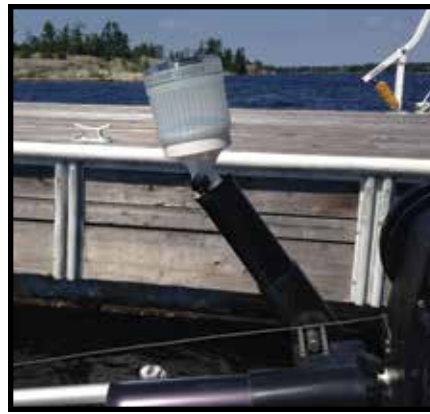


6 LED's   6 Lumens   10:00 HRS   F

PART #	DESCRIPTION
DE96262F	DockLite Value Pack - 2Pc/Pk

**Rod Holder Lite**

The rod holder light may be possibly the most convenient and useful solar lighting you could have for your boat. The tapered design allows it to fit several sizes of rod holder and adjustable angle means you can position it to where it will be the most benefit. Six preinstalled color LEDs with convenient touchpad, mean that you can change the color any time and it will illuminate 360° around it. Great for night fishing and an added bonus is that it can be used as a torch light when boarding and docking. Rechargeable, replaceable battery included. 10 lumens of emitted light. 12 hour run time.



PART #	DESCRIPTION
DE96285F	Rod Holder Lite, Adjustable angle

**Piling Cap Lite™**

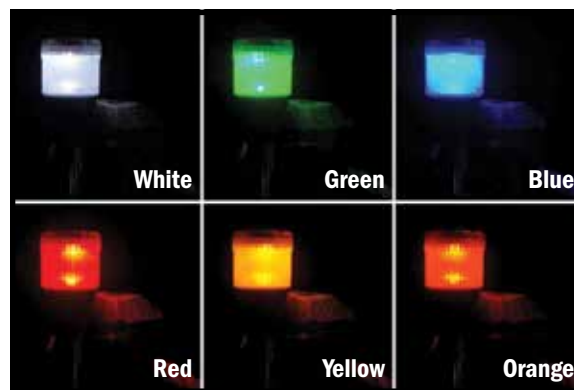
- 360° illumination
- Automatic on-at-dusk
- Flat or conical mount\*
- Weatherproof
- Durable UV resistant ABS
- Wildlife deterrent spike
- Installs easily in minutes
- Includes rechargeable, replaceable AAA, Ni-MH battery
- 6 preinstalled LED colors with convenient touchpad
- 10 lumens (emitted light)
- 12 hour run time



PART #	DESCRIPTION
DE96268F	Piling CapLite™

**PostLite™**

Install literally in minutes with NO WIRES. Powerful solar charging capacity with 360° light diffusing Polycarbonate lens and convex interior reflector maximize light output. Each PostLite™ fits post sizes: 1½" (4,1cm), 1¾" (4,8cm), 2¾" (6,0cm) O.D., and 3¼" (8,3cm) I.D. as well as flat surfaces with the INCLUDED adaptors. 6 preinstalled LED colors and convenient touchpad built right into the circuit board means you can change colors to match a particular color scheme or merely differentiate your dock from your neighbors. NO LED swapping necessary to determine polarity or color output. Rechargeable replaceable AAA battery included and concealed securely under the circuit board. 10 lumens of emitted light. 12 hour run time.



PART #	DESCRIPTION
DE96258F	PostLite™ - 2Pc/ Pk

**Side Mount Lite**

The Side Mount Lite is ideal for any location where a cast light is desirable such as walkways, entrances, illuminate your house number or areas difficult to reach with an electrical outlet such as a shed or garage.

- Ideal for home, cottage, deck or dock
- Small, compact, durable & attractive
- No wiring is necessary
- Automatically active at dusk
- Convenient off/ on switch to deactivate
- Li-ion battery - 1.2V 900 mh with 4 bright white LEDs (5 lumens) with a 10 hour run time
- Weatherproof



**4**  
LED's

**5**  
lumens

10:00  
HRS

**F**

PART #	DESCRIPTION
DE96272F	Side Mount Lite

**Solar Light HD**

Dock Edge + solar lighting isn't only for new products. This solar Post Top will fit your conventional 4" x 4" (10,2 x 10,2cm) wooden posts on an old or new project and bring a newer feel to those old, tired posts and railings. Featuring corrosion-free construction, automatic on-at-dusk, powerful solar charging panel and bright white LEDs that emit 30 lumens of light. This heavy-duty model incorporates a clear polycarbonate lens secured between durable PVC upper and lower housings. Includes replaceable rechargeable AA batteries. 12 hour run time.



**4**  
LED's

**30**  
lumens

12:00  
HRS

**F**

PART #	DESCRIPTION
DE96256F	Solar Light, HD

**Solar Dock Cleat**

- Cast aluminum alloy chassis with a wide, sturdy base footprint
- 6 lumens (emitted light)
- 5 super bright white LEDs for side and base illumination (18000 milli Candela each)
- Polycarbonate side lenses
- Epoxy monocrystalline solar panel
- Waterproof to standard IP65
- Up to 12 hours illumination from a single charge
- Automatic On-At-Dusk
- Replaceable solar panel w/ rechargeable AAA (Ni-MH) battery sold separately
- Viewing distance up to 325 ft. (100m)
- Optimal working temperature -4°F - 140°F (-20°C - 60°C)
- Dimensions: WxDxH= 10 x 3.9 x 3" (254 x 100 x 75.4mm)



**5**  
LED's

**6**  
lumens

12:00  
HRS

**B**

PART #	DESCRIPTION
DE96288F	Solar Dock Cleat





**Starlite™ Capacitor Series**

The Starlite™ Capacitor Series of solar lighting is for those with distinguishing tastes in design, durability and function. Not only are these unique and advanced solar lights built to provide a long and useful life, they actually seem to put out more light than they take in during the charging process. A capacitor stores the energy created from exposure to the sun, as well as charges the rechargeable battery. On days when there is insufficient sunlight to charge the battery, the capacitor re-energizes the battery with what it has held in safe keeping so you never have to go without light at night just because there wasn't enough during the day.

**Warranted for 5 YEARS.** Dock Edge + is pleased to introduce the Starlite™ capacitor series and is confident you'll be as pleased with their performance as we are. Starlite™ models 108 and 120 are visible up to 1/2 miles or 800m.

**Starlite™ Model 108**

- Installs easily in minutes
- Made from aluminum and polycarbonate
- Automatic on-at-dusk
- Operates at temperatures from 13 - 167° F (-25°C to 75°C)
- Measures 4.25 x 3.46 x 0.9" (108 x 88 x 23mm)
- 2.5v, 95mA solar panel
- 2 x 30F super capacitor
- Ni-MH 700mAh battery
- Load capacity of 30 tons
- 5 lumens (emitted light)
- 12 hour run time



PART #	DESCRIPTION
DE96306F	Starlite™ Model 108

**Starlite™ Model 120**

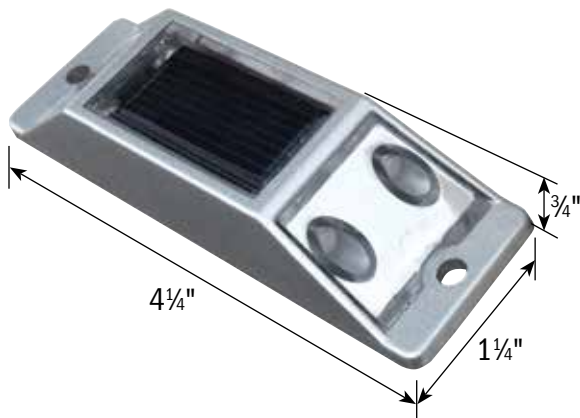
- Installs easily in minutes
- Made from aluminum and polycarbonate
- Automatic on-at-dusk
- Operates at temperatures from 13 - 167° F (-25°C to 75°C)
- Measures 4.72 x 4.33 x 0.78" (120 x 110 x 20mm)
- 2.5v, 105mA solar panel
- 2 x 30F super capacitor
- Ni-MH 1000mAh battery
- Load capacity of 30 tons
- 5 lumens (emitted light)
- 12 hour run time



PART #	DESCRIPTION
DE96307F	Starlite™ Model 120

**Starlite™ Pontoon Rail & Guide Lite**

Constructed from marine grade aluminum and powder coated for durability. Unique design allows it to fit conventional 1¼" (3,2cm) pontoon boat railings. Excellent for accent lighting on boats and docks. Not JUST for marine use. Use it on your deck at home as well. 4 LEDs powered by a 30F capacitor and backup 1.2 V (Ni-MH) battery. Lasts up to 15 hours on a typical charge.



PART #	DESCRIPTION
DE96350F	Pontoon Rail & Guide Lite

**Dock Edge Solar Lights at a Glance**

SOLAR LIGHT	MODEL #	LED's	LUMENS	LED COLORS	FRESH or SALT WATER	RUN TIME HOURS	USER REPLACEABLE BATTERY	BATTERY QTY./SIZE/TYPE	WATER PROOF RATING
Solar Marker Light	DE96501F	6	40	1	Fresh	20	N	(1) Lithium	IP 44
Solar Under Water Light	DE96283F	3	80	7	Both	12	Y	11.1V 6Ah 18650 lithium battery pack	IP 68
Post & Surface Mount Light	DE96280F	2	40	2	Fresh	10	Y	(1) LiFePO4 3.2V	IP 65
Panoramic Dock Lite	DE96286F	4	5	1	Both	8	Y	(1) AAA NiMH 1.2V	IP 65
Solar Dock Bumper LED Lights	DE96284F	50	40	1	Both	10	N	(1) Lithium 3.7V	IP 65
Solar Sentinel™	DE96252F	4	40	1	Both	12	Y	(2) AA NiMH 1.2V	IP 65
CleatLite™	DE96250F	4	40	1	Both	12	Y	(2) AA NiMH 1.2V	IP 65
Piling Lite™	DE96264F	4	40	1	Both	10	Y	(2) AA NiMH 1.2V	IP 65
DockLite™	DE96255F	6	6	1	Both	12	N	N/A	IP 65
Pro DockLite™	DE96257F	6	6	1	Fresh	10	Y	(2) AAA NiMH w/connector 1.2V	IP 65
HD Aluminum DockLite	DE96263F	4	5	1	Both	10	N	N/A	IP 65
DockLite Value Pack	DE96262F	6	6	1	Fresh	10	N	N/A	IP 65
Rod Holder Lite	DE96285F	6	10	6	Both	12	Y	(1) AAA NiCD 1.2V	IP 65
Piling CapLite™	DE96268F	6	10	6	Both	12	Y	(1) AAA NiCD 1.2V	IP 65
PostLite™	DE96258F	6	10	6	Fresh	12	Y	(1) AAA NiCD 1.2V	IP 65
Side Mount Lite	DE96272F	4	5	1	Fresh	10	Y	(1) AA NiMH 1.2V	IP 65
Solar Light HD	DE96256F	4	30	1	Fresh	12	Y	(2) AA NiMH 1.2V	IP 65
Solar Dock Cleat	DE96288F	5	6	1	Both	12	Y	(1) AAA NiMH w/ solar panel 1.2V	IP 65
Starlite™ 108	DE96306F	6	5	1	Both	12	N	Solar Capacitor	IP 67
Starlite™ 120	DE96307F	4	5	1	Both	12	N	Solar Capacitor	IP 67
Starlite™ Pontoon Rail Lite	DE96350F	4	5	1	Both	15	N	Solar Capacitor	IP 65

**Stainless Steel Bollard**

This high polish stainless steel bollard with baseplate comes in 2 sizes 4¾" (12,1cm) and 6" (15,2cm).

- Unique design allows for easy use, and maximum strength
- Allows rope to wrap or to fix to the cleat bars
- Use in fresh or saltwater applications



PART#	DESCRIPTION
DE2904F	4¾" (12,1cm) Stainless Steel Bollard,
DE2906F	6" (15,2cm) Stainless Steel Bollard

**Dock Builders Cleat**

These dock builders cleats come in two sizes 8" (20,3cm) and 10" (25,4cm).

- Designed for aluminum framed docks
- Fits most OEM dock builder style docks with an aluminum extrusion
- Slides easily into place
- Angle allows for stronger hold



PART#	DESCRIPTION
DE2428F	8" (20,3cm) Dock Builders Cleat
DE2430F	10" (25,4cm) Dock Builders Cleat

**Premium Flip-Up™ Cleats**

Double pivot design allows for easier rope attachment and added strength. These cleats are cast from solid Marine Grade Almag 35 aluminum and powder coated white or burnished using a special process to give a traditional metallic finish.



WHITE#	POLISHED#	DESCRIPTION
DE2656WF	DE2656PF	6" (15,2cm)

**Flip-Up™ Cleats**

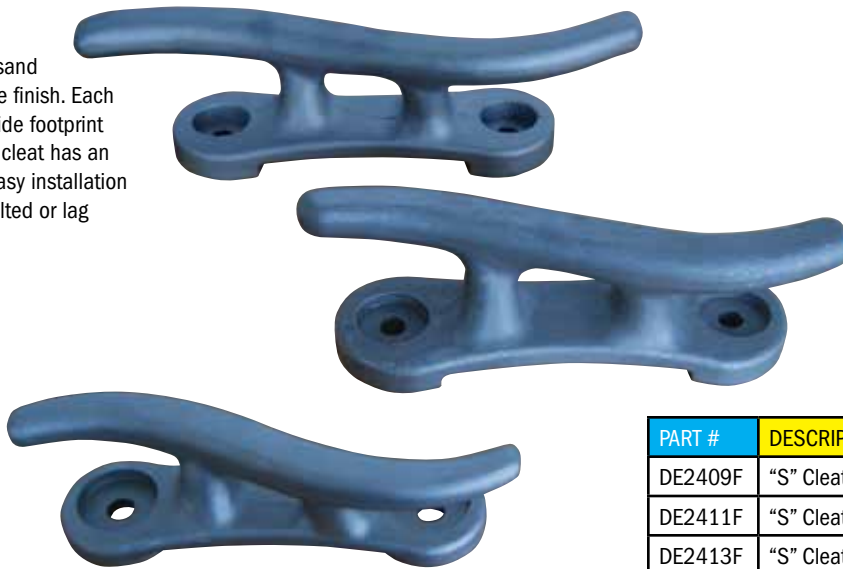
Cast from solid Marine Grade Almag 35 aluminum and powder coated white or black or burnished using a special process to give a traditional metallic finish. Distinctive and highly functional, they are available in 3 sizes to suit any requirement.



WHITE#	BLACK#	POLISHED#	DESCRIPTION
DE2603WF		DE2603PF	3½" (8,9cm)
DE2606WF	DE2606BF	DE2606PF	6" (15,2cm)
DE2608WF	DE2608BF	DE2608PF	8" (20,3cm)

**"S" Cleats**

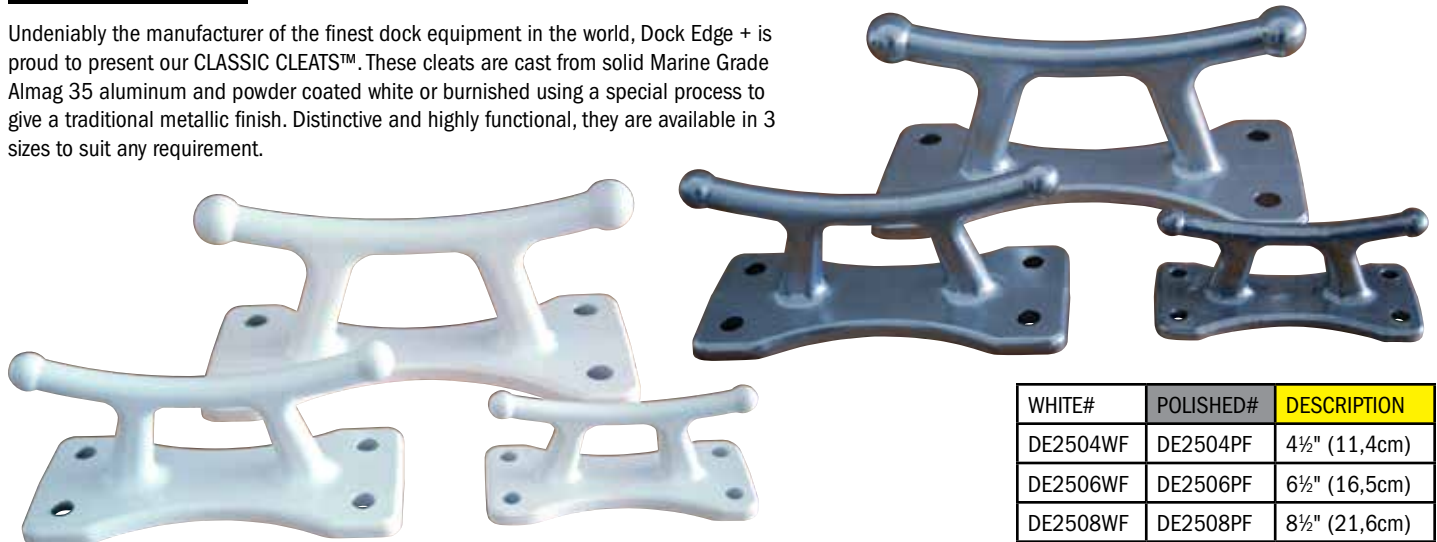
These cast aluminum cleats are sand blasted to give a clean grey matte finish. Each cleat is designed with an extra wide footprint for added strength. As well, each cleat has an enlarged counter-sunk hole for easy installation with a socket. Can be through bolted or lag bolted. Available in 3 sizes.



PART #	DESCRIPTION
DE2409F	"S" Cleat, 9" (22,9cm), Cast Aluminum
DE2411F	"S" Cleat, 11" (27,9cm), Cast Aluminum
DE2413F	"S" Cleat, 13" (33,0cm), Cast Aluminum

**Classic™ Cleats**

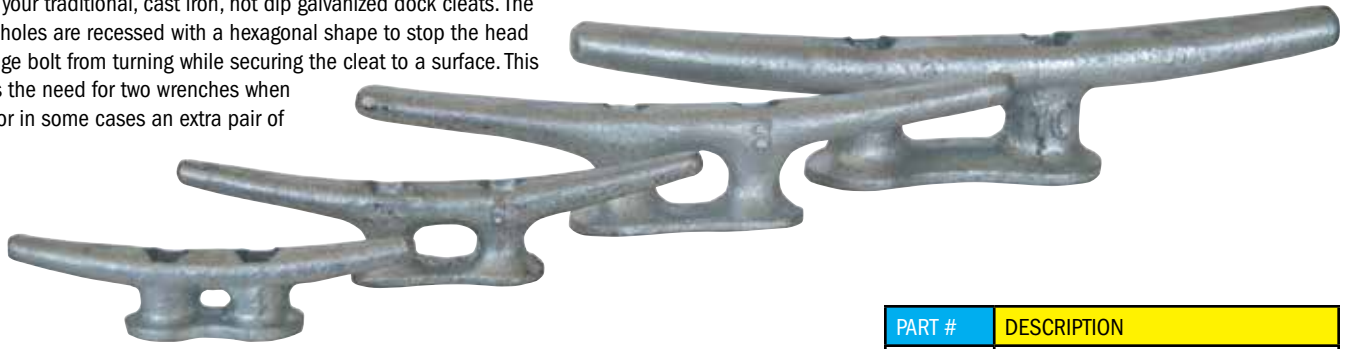
Undeniably the manufacturer of the finest dock equipment in the world, Dock Edge + is proud to present our CLASSIC CLEATS™. These cleats are cast from solid Marine Grade Almag 35 aluminum and powder coated white or burnished using a special process to give a traditional metallic finish. Distinctive and highly functional, they are available in 3 sizes to suit any requirement.



WHITE#	POLISHED#	DESCRIPTION
DE2504WF	DE2504PF	4½" (11,4cm)
DE2506WF	DE2506PF	6½" (16,5cm)
DE2508WF	DE2508PF	8½" (21,6cm)

**Cast Iron Cleats**

These are your traditional, cast iron, hot dip galvanized dock cleats. The mounting holes are recessed with a hexagonal shape to stop the head of a carriage bolt from turning while securing the cleat to a surface. This eliminates the need for two wrenches when securing, or in some cases an extra pair of hands.



PART #	DESCRIPTION
DE2804F	4" (10,2cm) Cast Iron, Galvanized
DE2806F	6" (15,2cm) Cast Iron, Galvanized
DE2808F	8" (20,3cm) Cast Iron, Galvanized
DE2810F	10" (25,4cm) Cast Iron, Galvanized

**Open Base Cleats**

These cast aluminum cleats are sand blasted to give a clean grey matte finish. Each cleat is designed with an extra wide footprint for added strength. As well, each cleat has an enlarged counter-sunk hole for easy installation with a socket. Can be through bolted or lag bolted. Available in four sizes.



PART #	DESCRIPTION
DE2406F	6" (16,5cm) Open Base Cleat
DE2408F	8" (21,6cm) Open Base Cleat
DE2410F	10½" (26,7cm) Open Base Cleat
DE2412F	12" (30,5cm) Open Base Cleat

**Molded Cleats**

Injection molded High Density Polyethylene with U.V. stabilizers. Attractive, functional, durable and will not chip or crack. 4 sizes available.



PART #	DESCRIPTION
DE2304F	4" (10,2cm) Black HDPE
DE2306F	6" (15,2cm) Black HDPE
DE2308F	8" (20,3cm) Black HDPE
DE2310F	10" (25,4cm) Black HDPE

**Mooring Ring**

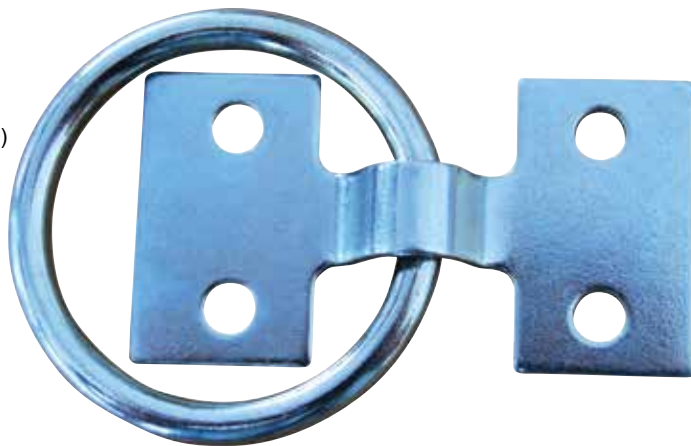
This economical, traditional mooring ring has been updated with a white polyester powder coat finish to prevent rusting, keeping your dock lines clean while enhancing the look of your dock. 5¼" x 2¾" (13,3 x 6,7cm) base with a 2¼" (5,7cm) ring.



PART #	DESCRIPTION
DE87108F	Mooring Ring

**Dock Ring**

- 2000lb Capacity (910kg)
- Zinc plated steel will not rust or corrode
- Ring Measures: 2¾" dia. x 3/8" (6 cm x 1 cm)



PART #	DESCRIPTION
DE87109F	Dock Ring

**Screw-In Dock Ring**

- 1200lb Capacity (550kg)
- Zinc plated steel will not rust or corrode
- Ring Measures: 2½" dia. x 5/16" (6,35 cm x 0,79 cm)



PART #	DESCRIPTION
DE87110F	Screw-in Ring

**TITAN™ Dock Ring Bracket**

The TITAN™ Dock Ring Bracket has a 4" (10 cm) ring and has a breaking load limit of 5500 lb (2500 kg). Stainless Steel AISI 316 holds up to the most extreme weather conditions.



PART #	DESCRIPTION
10825531	TITAN™ Dock Ring Bracket

**Tie-Up Cleat**

This economical Tie-Up Cleat is used where strength and basic function is required. It is white polyester powder coated to prevent rusting and keep your dock lines clean while enhancing the look of your dock.

5¼" x 5¼" (13,3 x 13,3cm) Base.



PART #	DESCRIPTION
DE87111F	Tie-Up Cleat

**InstaCleat™**

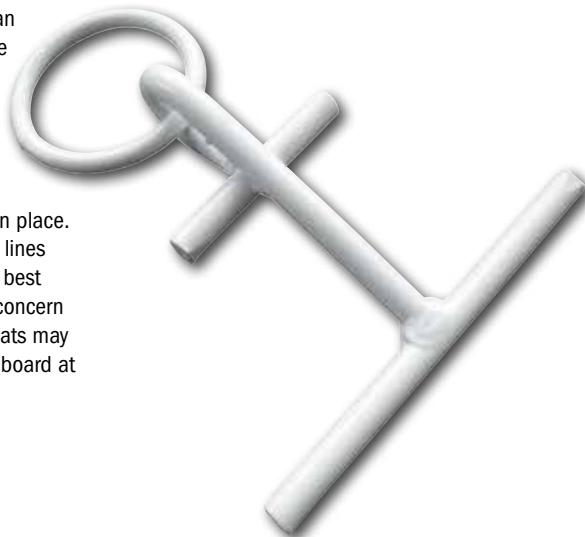
This strong, yet lightweight, cast aluminum portable cleat features a bright white polyester powder coat finish and stainless steel T-Bar. Install securely in seconds and use whenever cleats are missing or in an inconvenient location. Also provides extra security in rough weather for spring lines. It is also an ideal carry-on for PWC's, windsurfers, canoes etc.



PART #	DESCRIPTION
DE2705WF	InstaCleat™

**PortaCleat™**

Finally, a dock cleat you can take with you. Easy to store and easier to use, this strong, powder coated cleat with 2¼" (5,7cm) rope ring fits neatly in between dock timbers and twists 90 degrees to lock in place. Now you can position your lines exactly where you want, to best protect your boat without concern for where existing dock cleats may be located. Keep several aboard at all times. One size.



PART #	DESCRIPTION
DE91107F	PortaCleat™, white



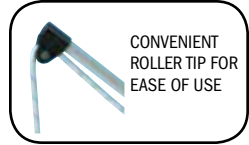
These quality Dock Edge + mooring whips, act as springs to maintain your boat at a safe, convenient distance from your dock and prevent impacts from waves or the wakes of passing watercraft. Starting with a solid rod and manufactured in multi-stages with triple cross-wound fiberglass gives these mooring whips the necessary strength and flex to retain the boats' position and prevent over-flexing of the whip.

**Economy Mooring Whips**

White fiberglass with convenient roller tip and aluminum tensioner. Permanent epoxy assembly. Cast aluminum base with integral cleat and ring. Set of two (2) whips includes mooring lines, whip lines and aluminum tensioners.



SOLID CAST ALUMINUM BASE WITH BUILT-IN CLEAT & EYELET



CONVENIENT ROLLER TIP FOR EASE OF USE

PART #	DESCRIPTION
DE3100F	Mooring Whip (Set of 2), 8' (2,4m) for craft up to 18' (5,5m) or 2000lb (907kg)
DE3120F	Mooring Whip (Set of 2), 12' (3,7m) for craft up to 23' (7m) or 4000lb (1814kg)

**Premium Mooring Whips**

Exclusive "Plug & Socket" design for quick and easy separation, Tie-off cleat and NEW carbon fiber technology. Solid, cast aluminum base with built-in cleat, ring and thumb screw. Unique tip with functional roller and a tie-off cleat for easier boat access. Simply release the whip line from the tie-off cleat. The whip lines effortlessly roll through the pulley at the tip causing the boat to gently approach the dock for boarding. Patented cross-wound material. Double braided nylon whip lines, spring lines and unique line tensioner for one-handed set-up. Stainless steel mounting hardware included. Available in 8', 12', 14' & 16' (2,4m, 3,7m, 4,3m & 4,9m) lengths for boats from 18' (5,5m) to 33' (10m) and up to 20,000lb (9072kg). Set of two (2) whips includes mooring lines, whip lines, tie-off cleats and aluminum tensioners.



SOLID CAST ALUMINUM BASE WITH BUILT-IN CLEAT & EYELET



CONVENIENT ROLLER TIP FOR EASE OF USE



ROLLER TIP PULLEY WHEEL



TIE-OFF CLEAT

PART #	DESCRIPTION
DE3200F	Mooring Whip (Set of 2), 8' (2,4m) for craft up to 18' (5,5m) or 2,500lb (1134kg)
DE3400F	Mooring Whip (Set of 2), 12' (3,7m) for craft up to 23' (7m) or 5,000lb (2268kg)
DE3600F	Mooring Whip (Set of 2), 14' (4,3m) for craft up to 28' (8,5m) or 10,000lb (4536kg)
DE3800F	Mooring Whip (Set of 2), 16' (4,9m) for craft up to 33' (10m) or 20,000lb (9072kg)

**Ultimate Mooring Whips**

Ultimate Whips feature an Exclusive "Plug & Socket" design for quick and easy separation, Tie-off cleat and NEW carbon fiber technology. Cast aluminum rocker base with cushioner & set screw. Unique tip with functional roller and a tie-off cleat for easier boat access. Simply release the whip line from the tie-off cleat. The whip lines effortlessly roll through the pulley at the tip causing the boat to gently approach the dock for boarding. Patented cross-wound material. Double braided nylon whip lines, spring lines and unique line tensioner for one-handed set-up. Stainless steel mounting hardware included. Available in 12', 14' & 16' (3,7m, 4,3m & 4,9m) lengths for boats from 23' (7m) to 33' (10m) and up to 20,000lb (9072kg). Set of two (2) whips includes mooring lines, whip lines, tie-off cleats and aluminum tensioners.



**Rocker Base:** Through careful design, the Dock Edge + rocker base allows these whips to retract almost completely from the path of watercraft having flying bridges or wake board towers.



ROCKER BASE



CONVENIENT ROLLER TIP FOR EASE OF USE



ROLLER TIP PULLEY WHEEL



TIE-OFF CLEAT

PART #	DESCRIPTION
DE3450F	Mooring Whip (Set of 2), 12' (3,7m) for craft up to 23' (7m) or 5,000lb (2268kg)
DE3650F	Mooring Whip (Set of 2), 14' (4,3m) for craft up to 28' (8,5m) or 10,000lb (4536kg)
DE3850F	Mooring Whip (Set of 2), 16' (4,9m) for craft up to 33' (10m) or 20,000lb (9072kg)



## Mooring Arms

An economical alternative or enhancement to bumpers and dock bumper profiles, these Mooring Arms retain your watercraft a safe and convenient distance from the dock face to minimize the possibility of damage from wind, wake and waves. These easy-to-install mooring arms apply vector based forces to the bow and stern of the watercraft allowing it to freely and effortlessly follow wave and water action such as tidal fluctuations, yet securely keep the craft at arms length from the dock surface.

Arms are manufactured from the same durable Cross-wound fiberglass as our Dock Edge + and Howell mooring whips. Each set includes polyethylene line and pivot retainers as well as stainless steel hardware. Hot dip Galvanized cleats, mooring lines and Dock Edge + Quality craftsmanship is included in every Mooring Arm kit. Available in 4' (1,2m) and 6' (1,8m) lengths for watercraft from PWCs to mid-sized cruisers.



PART #	DESCRIPTION
DE3034F	Mooring Arm (Set of 2), 4' (1,2m) For small watercraft and PWCs
DE3036F	Mooring Arm (Set of 2), 6' (1,8m) For Craft up to 5000lb (2268kg)

## Wake Watchers

- Protects passengers and your boat
- Securely moors boats up to 3500lb (1500kg)
- Protects your boat from dock contact
- Allows your boat to come close to the dock for easy passenger boarding
- Automatically repositions your boat safely 3 ft. (1m) away from the dock
- Adjustable tension
- Resists lateral, vertical and horizontal motion
- Featured in Popular Science magazine



PART #	DESCRIPTION
DE3050F	Wake Watcher, (Set of 2)

## Flip-Up - White Powder Coated Galvalume™

With the same long lasting construction as our fixed ladders, this ladders' hinged design allows the ladder to conveniently flip out of the water when not in use. Locks securely in both positions, so it will not swing when in use or accidentally lower when in the raised position. Unique hinge design has no pinch points for safety and is easily assembled with stainless steel hardware included. 400lb (180kg) Capacity.

- Rail Height:** 18½" (47cm)
- Tread Depth:** 3¾" (9,5cm)
- Tread Width:** 14" (35,6cm)
- Distance to first step:** 12" (30,5cm)
- Distance between treads:** 11" (27,9cm)

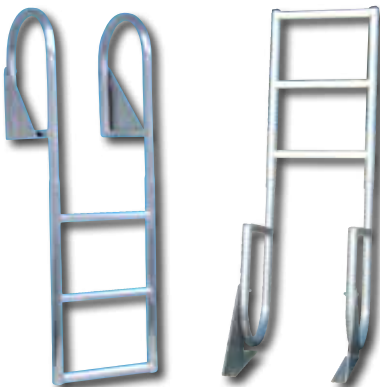


PART #	DESCRIPTION
DE2113F	3-Step, Complete
DE2114F	4-Step, Complete
DE2115F	5-Step, Complete

## Flip-Up - Welded, Marine Grade Aluminum

These Flip-Up ladders flip up and out of the water when not in use, it is easily secured in the up or down position with a handy retainer pin. 665lb (300kg) Capacity.

- Rail Height:** 20" (50,8cm)
- Tread Depth:** 1¾" (4,4cm)
- Tread Width:** 16¼" (41,3 cm)
- Distance to first step:** 12" (30,5cm)
- Distance between treads:** 12" (30,5cm)



PART #	DESCRIPTION
DE2023F	3-Step, Complete
DE2024F	4-Step, Complete
DE2025F	5-Step, Complete

## Flip-Up - ECO² Weld-Free, Marine Grade Aluminum

Designed to make a minimum carbon footprint, these ladders are manufactured with no welding processes involved to reduce material waste and save energy. Easy to assemble & includes stainless steel hardware. Ribbed anti-slip steps for a sure footing. 500lb (227kg) Capacity.

- Rail Height:** 18½" (47,0cm)
- Tread Depth:** 2½" (6,4cm)
- Tread Width:** 14" (35,6cm)
- Distance to first step:** 10½" (26,7cm)
- Distance between treads:** 11" (27,9cm)



PART #	DESCRIPTION
DE2173F	3-Step, Weld Free, Flip-Up, Complete
DE2174F	4-Step, Weld Free, Flip-Up, Complete
DE2175F	5-Step, Weld Free, Flip-Up, Complete

## Slide-Up - Welded, Marine Grade Aluminum

These zero clearance ladders slide easily up and out of the water when not in use. Heavy marine grade aluminum rungs and hangers mean that you'll have long and reliable service and an attractive addition to your marine application. Convenience cords for raising and lowering the steps are included. 665lb (300kg) Capacity.

- Rail Height:** 19¾" (50,2cm)
- Tread Depth:** 2" (5,1cm)
- Tread Width:** 15" (38,1cm)
- Distance to first step:** 11" (27,9cm)
- Distance between treads:** 12" (30,5cm)



PART #	DESCRIPTION
DE2035F	5-Step, Complete
DE2037F	7-Step, Complete

**Fixed - White Powder Coated Galvalume™**

These bright white polyester finished Galvalume™ ladders will make a durable and attractive addition to your dock, seawall or any marine application. Heavy 1½" (3,8cm) tubing ensures a positive grip and Stainless Steel hardware is included. 400lb (180kg). Capacity.

- Rail Height:** 18½" (47cm)
- Tread Depth:** 3¾" (9,5cm)
- Tread Width:** 14" (35,6cm)
- Distance to first step:** 12" (30,5cm)
- Distance between treads:** 11" (27,9cm)



PART #	DESCRIPTION
DE2103F	3-Step, Complete
DE2104F	4-Step, Complete
DE2105F	5-Step, Complete

**Fixed - Welded, Marine Grade Aluminum**

These durable ladders are ideal for sure-footed access to and from the water or boat and with a load capacity of 665lb (300kg) these rugged ladders will stand the test of time. Perfect for seawalls or dock applications with varying water levels.

- Rail Height:** 19½" (49,5cm)
- Tread Depth:** 2" (5,1cm)
- Tread Width:** 16¾" (41,3cm)
- Distance to first step:** 8" (20,3cm)
- Distance between treads:** 12" (30,5cm)

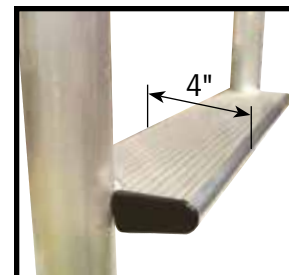


PART #	DESCRIPTION
DE2013F	3-Step, Complete
DE2014F	4-Step, Complete
DE2015F	5-Step, Complete

**Fixed - Wide Step. Welded, Marine Grade Aluminum**

These durable ladders are ideal for sure-footed access to and from the water or boat and with a load capacity of 665lb (300kg) these rugged ladders will stand the test of time. Perfect for seawalls or dock applications with varying water levels.

- Rail Height:** 19½" (49,5cm)
- Tread Depth:** 4" (10,2cm)
- Tread Width:** 16¾" (42,5cm)
- Distance to first step:** 7⅞" (20cm)
- Distance between treads:** 12" (30,5cm)



PART #	DESCRIPTION
DE2043F	3-Step, Complete
DE2044F	4-Step, Complete
DE2045F	5-Step, Complete

**Fixed - ECO² Weld-Free, Marine Grade Aluminum**

These durable ladders have been designed to make a minimum carbon footprint. It is manufactured with no welding processes involved. Easily assembles in a few minutes with Stainless Steel fasteners. Wider steps make it better for a sure grip and safe climb. Easily accommodate weights up to 500lb (227kg).

- Rail Height:** 18" (45,7cm)
- Tread Depth:** 2½" (6,4cm)
- Tread Width:** 14" (35,6cm)
- Distance to first step:** 10" (25,4cm)
- Distance between treads:** 11" (27,9cm)



PART #	DESCRIPTION
DE2073F	3-Step, Weld Free, Fixed, Complete
DE2074F	4-Step, Weld Free, Fixed, Complete
DE2075F	5-Step, Weld Free, Fixed, Complete

**Stand-Off - Welded, Marine Grade Aluminum with Quick Release**

These Stand-off ladders are easy to assemble and made from Heavy wall 1" marine grade aluminum extrusion with large aluminum steps and an anti-slip strip for a sure footing. Stainless Steel assembly hardware is included. A great light weight, durable addition for any application and ideal for pontoon boats. 350lb (159kg) Capacity.

- Rail Height:** 18" (45,7cm)
- Tread Depth:** 4" (10,2cm)
- Tread Width:** 15¾" (40cm)
- Distance to first step:** 8⅞" (22,5cm)
- Distance between treads:** 11½" (29,2cm)



PART #	DESCRIPTION
DE2053F	3-Step, Complete
DE2054F	4-Step, Complete
DE2055F	5-Step, Complete

**Kwik Release**

This Ladder is manufactured with 1" heavy wall aluminum tubing. All assembly hardware is stainless steel and assembly is quick and easy. Simply tilt the ladder up and slide it out for storage and cleaning, or mount the ladder permanently with its' pre-drilled holes. 450lb (204kg) Capacity.

- Rail Height:** 18½" (47cm) above the dock.
- Tread Depth:** 4¾" (12,1cm)
- Tread Width:** 14⅞" (37,8cm)
- Distance to first step:** 11½" (29,2cm)
- Distance between treads:** 10½" (26,7cm)



PART #	DESCRIPTION
DE2003F	3-Step, Complete
DE2004F	4-Step, Complete
DE2005F	5-Step, Complete
DE2009F	Optional Kwik Release System

**Swing-Up - Rotomolded**

Tough and Durable, this rotomolded ladder swings up and out of the way, locking in place when not in use. Will not corrode with exposure and will not fade or crack. Molded-in U.V. Inhibitors and Fungicides. 500lb (227kg) Capacity.

4 Steps, Polyethylene, Stainless Steel assembly hardware.

- Gable Height:** 20½" (52,1cm)
- Tread Depth:** 4" (10,2cm)
- Tread Width:** 14" (35,6cm)
- Distance to first step:** 11¾" (29,8cm)
- Distance between treads:** 10½" (26,7cm)



PART #	DESCRIPTION
DE2064F	4-Step, Grey

**Stand Off - Rotomolded**

With the same great features of the Swing-Up, the Stand Off rotomolded ladder extends into the water at a 60° angle to make getting out of the water easier. 500lb (227kg) Capacity.

- Gable Height:** 20½" (52,1cm)
- Tread Depth:** 6½" (16,5cm)
- Tread Width:** 14" (35,6cm)
- Distance to first step:** 12½" (31,8cm)
- Distance between treads:** 10½" (26,7cm)



PART #	DESCRIPTION
DE2084F	4-Step, Grey

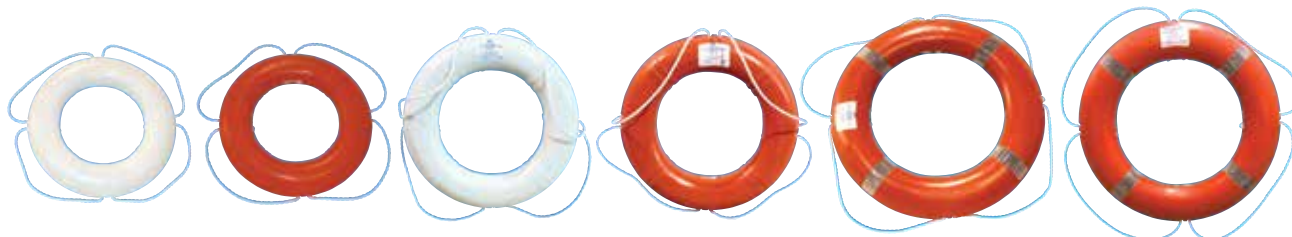


**DOLPHIN™** Life Rings are manufactured in North America with U.S. Coast Guard, Canadian Coast Guard and DOT approval. All Dolphin™ Life Rings are rigorously tested and monitored by the Underwriters Laboratories of the United States and Canada. The Ring bodies are warranted for seven years under all climatic conditions and are resistant to fire, oil, and gas. The hard shell prevents tearing and ripping and is virtually vandal proof. The design allows for easy rope replacement should the rope become damaged, thus ensuring the integrity and continued certification of the Ring.

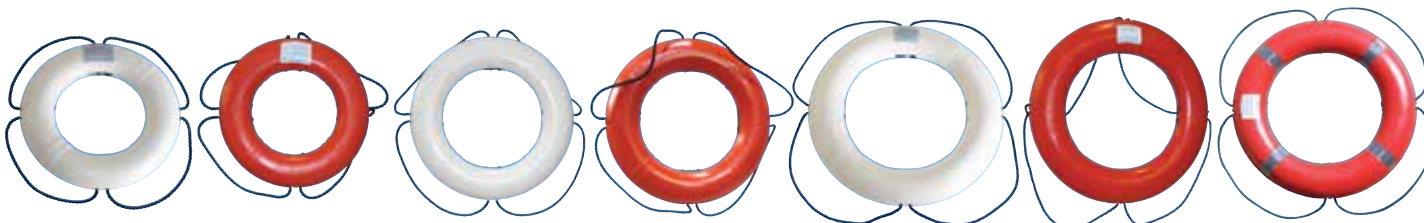
Dolphin™ Life Ring Buoys are rotomolded for strength with a polyethylene shell and filled with closed cellular foam for long life under extreme marine conditions. They conform to all standards up to and including S.O.L.A.S. standard 7483.



CANADA	PART #	SIZE	QUANTITY	COLOR	BUOYANCY	WEIGHT
	DE55121F	20" (50,8cm)	(6pcs/Crt)	White	16.5lb (7,5kg)	4.2lb (1,9kg) Ea.
	DE55123F	20" (50,8cm)	(6pcs/Crt)	Orange	16.5lb (7,5kg)	4.2lb (1,9kg) Ea.
	DE55141F	24" (61cm)	(4pcs/Crt)	White	25lb (11,3kg)	6.4lb (2,9kg) Ea., CAN. DOT Approved
	DE55143F	24" (61cm)	(4pcs/Crt)	Orange	25lb (11,3kg)	6.4lb (2,9kg) Ea., CAN. DOT Approved
	DE55133F	30" (76,2cm)	(4pcs/Crt)	Orange	32lb (14,5kg)	9.1lb (4,1kg) Ea., CAN. DOT Approved
	DE56103F S.O.L.A.S.	30" (76,2cm)	(4pcs/Crt)	Orange	32lb (14,5kg)	8.6lb (3,9kg) Ea., CAN. DOT Approved



USA	PART #	SIZE	QUANTITY	COLOR	BUOYANCY	WEIGHT
	DE55221F	20" (50,8cm)	(6pcs/Crt)	White	16.5lb (7,5kg)	4.1lb (1,9kg) Ea., USCGA Approved
	DE55223F	20" (50,8cm)	(6pcs/Crt)	Orange	16.5lb (7,5kg)	4.1lb (1,9kg) Ea., USCGA Approved
	DE55241F	24" (61cm)	(4pcs/Crt)	White	25lb (11,3kg)	6.3lb (2,9kg) Ea., USCGA Approved
	DE55243F	24" (61cm)	(4pcs/Crt)	Orange	25lb (11,3kg)	6.3lb (2,9kg) Ea., USCGA Approved
	DE55231F Commercial	30" (76,2cm)	(4pcs/Crt)	White	32lb (14,5kg)	8.5lb (3,9kg) Ea., USCGA Approved
	DE55233F Commercial	30" (76,2cm)	(4pcs/Crt)	Orange	32lb (14,5kg)	8.5lb (3,9kg) Ea., USCGA Approved
	DE56203F S.O.L.A.S.	30" (76,2cm)	(4pcs/Crt)	Orange	32lb (14,5kg)	8.5lb (3,9kg) Ea., USCGA Approved



**EUROPE**



PART #	SIZE	QUANTITY	COLOR	BUOYANCY	WEIGHT
DE55541F	24" (61cm)	(4pcs/Crt)	White	25lb (11,3kg)	6.3lb (2,9kg) Ea., EU Approved
DE55543F	24" (61cm)	(4pcs/Crt)	Orange	25lb (11,3kg)	6.3lb (2,9kg) Ea., EU Approved
DE56503F S.O.L.A.S.	30" (76,2cm)	(4pcs/Crt)	Orange	32lb (14,5kg)	8.5lb (3,9kg) Ea., EU Approved

**Poolside Ring**

This 19" (48,3cm) Recreational Ring features a red, white and blue rope. Great for the pool, cottage or nautical theme decorations.

PART #	DESCRIPTION
DE58421F	Poolside Ring, White, 6pcs/ Ctn




**Life Ring "J" Hook**

Flush mount stainless steel strap. Ideal for mounting to banisters, boathouse walls or pilings. Keeps a Life Ring or line at the ready.




PART #	DESCRIPTION
DE90036F	"J" Hook, Stainless

Manufactured from the best quality marine grade vinyl resulting in superior strength, cushioning and a high gloss finish. Dolphin™ fenders have been tested for many years in various marine environments worldwide. Dolphin™ fenders resist deterioration from mildew, gas, oil, seawater and bacteria and have built-in UV inhibitors and fungicides. Fenders include a molded-in conventional needle valve for inflation to allow adjustment for the desired level of firmness. Each fender is warranted for the life of the boat.



**ALL FENDERS AND STYLES OVER 8" IN DIAMETER HAVE A SCREW-IN AIR VALVE**



**ALL FENDERS AND STYLES UNDER 8" IN DIAMETER USE A CONVENTIONAL NEEDLE VALVE TO INFLATE**

**Dolphin™ Twin Eye Ribbed Fenders**

Featuring specially reinforced heavy-duty integral lugs for added strength and longer durability. These fenders provide maximum protection and value for your dollar. Available in 4 sizes and various colors.



SIZE	4½" x 16" (11,4 x 40,6cm)	5½" x 20" (14,0 x 50,8cm)	6½" x 23" (16,5 x 58,4cm)	8½" x 27" (21,6 x 68,6cm)
WHITE	DE59161F	DE59201F	DE59231F	DE59271F
ROYAL BLUE	DE59162F	DE59202F	DE59232F	DE59272F
BLACK	DE59166F	DE59206F	DE59236F	DE59276F
BURGUNDY	DE59167F	DE59207F	DE59237F	DE59277F
GREEN	DE59168F	DE59208F	DE59238F	DE59278F
NAVY BLUE	DE59169F	DE59209F	DE59239F	DE59279F

**Dolphin™ Twin Eye Smooth Fenders**

Featuring specially reinforced heavy-duty integral lugs for added strength and longer durability. These fenders provide maximum protection and value for your dollar. Available in 6 sizes and various colors.



SIZE	4½" x 16" (11,4 x 40,6cm)	5½" x 20" (14,0 x 50,8cm)	6½" x 23" (16,5 x 58,4cm)	8½" x 27" (21,6 x 68,6cm)	10" x 30" (25,4 x 76,2cm)	12" x 34" (30,5 x 86,4cm)
WHITE	DE50161F	DE50201F	DE50231F	DE50271F	DE50301F	DE50341F
ROYAL BLUE	DE50162F	DE50202F	DE50232F	DE50272F	DE50302F	DE50342F
BLACK	DE50166F	DE50206F	DE50236F	DE50276F	DE50306F	DE50346F
BURGUNDY	DE50167F	DE50207F	DE50237F	DE50277F	DE50307F	DE50347F
GREEN	DE50168F	DE50208F	DE50238F	DE50278F	DE50308F	DE50348F
NAVY BLUE	DE50169F	DE50209F	DE50239F	DE50279F	DE50309F	DE50349F

**Dolphin™ Center Hole Fenders**

Equipped with a central tubing to allow end-to-end line passage. Unique ribbed construction gives strength to the fender, minimizes rolling and offers maximum protection. Available in 4 sizes and various colors. These fenders provide maximum protection and value for your dollar.

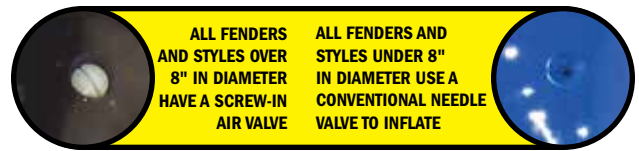


SIZE	6" x 15" (15,2 x 38,1cm)	8" x 20" (20,3 x 50,8cm)	10" x 25" (25,4 x 63,5cm)	12" x 34" (30,5 x 86,4cm)
WHITE	DE51151F	DE51201F	DE51251F	DE51341F
ROYAL BLUE	DE51152F	DE51202F	DE51252F	DE51342F
BLACK	DE51156F	DE51206F	DE51256F	DE51346F
BURGUNDY	DE51157F	DE51207F	DE51257F	DE51347F
GREEN	DE51158F	DE51208F	DE51258F	DE51348F
NAVY BLUE	DE51159F	DE51209F	DE51259F	DE51349F



**DockSide™ Fenders**

DockSide™ Premium fenders are conveniently available in single or multi-packs. Also available in bulk format for large displays and prominent placement. Dock Edge + quality you can count on at a price you can afford. Heavy-Duty rotomolded with U.V. Stabilizers and Fungicides for prolonged life and durability. Integral air valve for inflation. Available in both Twin Eye and Center Hole, 4 Colors and the most popular sizes.



Twin-Eye	4½" x 16" (11,4 x 40,6cm)	5½" x 20" (14,0 x 50,8cm)	6½" x 23" (16,5 x 58,4cm)	8½" x 27" (21,6 x 68,6cm)
WHITE	DE79161F	DE79201F	DE79231F	DE79271F
ROYAL BLUE	DE79162F	DE79202F	DE79232F	DE79272F
BLACK	DE79166F	DE79206F	DE79236F	DE79276F
NAVY BLUE	DE79169F	DE79209F	DE79239F	DE79279F

Center Hole	6" x 15" (15,2 x 38,1cm)	8" x 20" (20,3 x 50,8cm)	10" x 25" (25,4 x 63,5cm)
WHITE	DE71151F	DE71201F	DE71251F
ROYAL BLUE	DE71152F	DE71202F	DE71252F
BLACK	DE71156F	DE71206F	DE71256F
NAVY BLUE	DE71159F	DE71209F	DE71259F

**DockSide™ TITAN Fenders**

DockSide™ Premium fenders are conveniently available in single or multi-packs. Also available in bulk format for large displays and prominent placement. Dock Edge + quality you can count on at a price you can afford. Heavy-Duty rotomolded with U.V. Stabilizers and Fungicides for prolonged life and durability. Integral air valve for inflation. Available in 4 Colors and the most popular sizes.



SIZE	5½" x 20" (14,0 x 50,8cm)	6½" x 23" (16,5 x 58,4cm)	8½" x 27" (21,6 x 68,6cm)
WHITE	DE54201F	DE54231F	DE54271F
ROYAL BLUE	DE54202F	DE54232F	DE54272F
BLACK	DE54206F	DE54236F	DE54276F
NAVY BLUE	DE54209F	DE54239F	DE54279F

**FD Series Fenders**

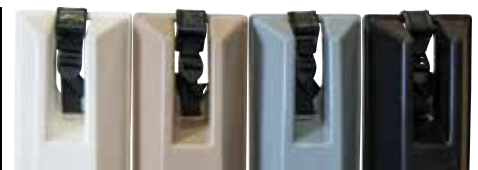
- Multiple sizes to suit any vessel
- Twin-eye allows for horizontal or vertical use
- Multiple ribbed reinforced ropeholds
- Unique vinyl valve for a secure seal
- Even wall thickness for maximum strength and durability
- Designed for use in permanent unprotected moorings, pilings, locks and concrete walls



PART #	SIZE in. (cm)
DE72621F	5⅞ x 24 (15 x 61)
DE72821F	8 <sup>1</sup> / <sub>16</sub> x 24 (22 x 61)
DE72831F	8 <sup>1</sup> / <sub>16</sub> x 29½ (22 x 75)
DE72841F	8 <sup>1</sup> / <sub>16</sub> x 40 <sup>15</sup> / <sub>16</sub> (22 x 104)
DE72131F	11 <sup>7</sup> / <sub>16</sub> x 30 <sup>1</sup> / <sub>16</sub> (29 x 78)
DE72141F	11 <sup>7</sup> / <sub>16</sub> x 42 <sup>15</sup> / <sub>16</sub> (29 x 109)

**'TOON Fender**

Complete patented pontoon boat protection system with up to 15" (38,1cm) of vertical adjustment for any docking or rafting conditions. Dual hook system locks firmly top and bottom allowing it to remain in place while underway. Boat covers can be installed normally. Angled sides help prevent catching the dock when mooring. Adjustable to protect the rail system, pontoons or both. Molded-in UV inhibitors and fungicides.



DESCRIPTION	CREAM	BEIGE	GREY	BLACK
6" x 36" (15,2 x 91,4cm)	DE53131F	DE53134F	DE53135F	DE53136F

## Inflatable Mooring Buoys

- Heavy-duty seamless construction
- Extra tough rope eye
- Superior valve design conveniently located in the rope eye
- Great for boats of all sizes
- High Gloss finish
- Available in Bright Orange or White for high visibility
- Lifetime Warranty



WHITE	ORANGE	DESCRIPTION
DE95710F	DE95610F	9½" (24,1cm) Dia.
DE95712F	DE95612F	11¼" (29,9cm) Dia.
DE95715F	DE95615F	14½" (36,8cm) Dia.
DE95718F	DE95618F	17½" (44,5cm) Dia.
DE95720F	DE95620F	19¾" (50,2cm) Dia.

## Hard Shell, Foamed Mooring Buoys

Bright orange or white polyethylene and filled with closed cellular foam for long life under the most extreme marine conditions. Resistant to fire, oil and gas. Molded-in **UV Inhibitors and Fungicides**.



Use with Chain Collar DE99030F and/or Center Rod & Swivel DE90032F



**WARNING:** Never tie mooring lines to the top eyelet of the buoy or swivel eyelet. Always attach mooring lines to the anchor chain swivel beneath the buoy.

WHITE	ORANGE	DESCRIPTION	BUOYANCY
DE90025F	DE90027F	24" (61cm) Mooring Buoy	80lb (36kg)

## TITAN™ Buoy Release Hook

The TITAN™ Buoy Release Hook in Stainless Steel AISI 316 attaches to the buoy with rope or chain. Its unique self-locking feature allows the hook to open only when the rope is slack and the hook is folded back.



PART #	DESCRIPTION
10825532	TITAN™ Buoy Release Hook

## Mooring Buoys Chain Collar

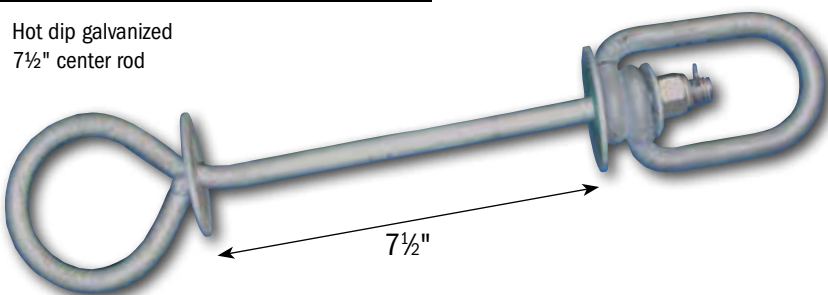
Flared Galvalume™ collar prevents chain wear or chaffing. One piece, weld-free and corrosion resistant. Rely on it to last and last. Fits 1⅞" (4,8cm) dia. (2" (5,1cm) nominal) collar/ spindle openings. Galvalume™ has 10X the corrosion resistance of hot dip galvanized steel.



PART #	DESCRIPTION
DE90030F	Mooring Buoy Collar, Galvalume™

## Mooring Buoys Center Rod & Swivel

- Hot dip galvanized
- 7½" center rod



PART #	DESCRIPTION
DE90032F	Mooring Buoy Swivel, Hot Dip Galvanized



**Titan Pro Fender Lines**

- Nylon mesh reinforced loop
- Minimizes knot tying
- Easily adjustable
- Floating line will remain soft & pliable
- 5' (1,5m) or 8' (2,4m) lengths to suit most applications
- Use for Twin Eye OR Center Hole



COLOR	5' (1,5m)	8' (2,4m)	QUANTITY
WHITE	DE91561F	DE91571F	2 Pc/Pk
ROYAL BLUE	DE91562F	DE91572F	2 Pc/Pk
BLACK	DE91566F	DE91576F	2 Pc/Pk
NAVY BLUE	DE91569F	DE91579F	2 Pc/Pk

**Mooring Snubbers**

For secure and cushioned mooring. Ideal for both motor and sailing boats. The forces the line is exposed to, are taken up by the elongation of the mooring snubber, reducing the shock load on the line as well as the boat's hardware.



PART #	DESCRIPTION	CRAFT LENGTH
DE90302F	Accepts line sizes 3/8" (9,5mm) - 7/16" (11,1mm)	Up to 20' (6,1m)
DE90304F	Accepts line sizes 7/16" (11,1mm) - 5/8" (15,9mm)	Up to 26' (7,9m)
DE90306F	Accepts line sizes 9/16" (14,3mm) - 3/4" (19,1mm)	Up to 40' (12,2m)

**Fender Lok™**

Ratcheted strap allows quick, easy attaching. Squeeze tabs to release fender for storage. One finger operation allows quick adjustment from 4" (10,2cm) - 24" (61cm).



PART #	DESCRIPTION
DE91500F	Fender Lok™, White

**Line Strap**

Tough and durable PVC mounting strap, snaps over railings, lifelines or stanchions. Allows fenders or lines to be conveniently retrieved or stored quickly.



DESCRIPTION	WHITE	BLACK	NAVY BLUE
Fender/ Line Holder Strap	DE91541F	DE91546F	DE91549F

**Fender Adjuster**

Tough and durable PVC mounting strap snaps over railings, lifelines or stanchions. Allows fender lines to be adjusted to length in a matter of seconds.



DESCRIPTION	WHITE	BLACK
Fender Adjuster	DE91531F	DE91536F



The Howell™ dock float series is developed and produced by Dock Edge + making it possible to purchase a complete and compatible line from hardware right through to the finishing touches. Howell™ floats are rotationally molded from the highest impact strength resin available containing UV inhibitors and carbon black pigment to protect against ultraviolet deterioration. These resins offer a balance of toughness, rigidity, environmental stress crack resistance and low temperature impact performance. Rotationally molded floats can be used on existing docks to gain freeboard, eliminate twisting, and/or improve the levelness of the dock. They can also be utilized in new construction of timber or truss dock systems. The Howell™ float series is backed by a 10-YEAR WARRANTY against manufacturing defects.

TITAN™ dock floats are rotomolded using a unique foaming process. The floats are foamed while being molded ensuring the foam bonds with the shell of the float creating a heavier impenetrable wall. This process give the TITAN™ dock float added wall strength and utilizes closed cellular foam to ensure no water will be absorbed into the float. The foam application is recyclable and environmentally friendly. Ideal for commercial use. The TITAN™ float series is backed by a 10-YEAR WARRANTY against manufacturing defects.

**Howell™ 250 Dock Float**

Floatation capacity (buoyancy) of 250lb (113,4kg).  
Dimensions: 24" x 48" x 8" (61 x 121,9 x 20,3cm)  
Tare weight of 21lb (9,5kg).



PART #	DESCRIPTION
DE99238F	Empty Howell™ 250 Float

**Howell™ 400 Dock Float**

Floatation capacity (buoyancy) of 400lb (181,4kg).  
Dimensions: 24" x 48" x 12" (61 x 121,9 x 30,5cm)  
Tare weight of 23.5lb (10,7kg).



PART #	DESCRIPTION
DE99242F	Empty Howell™ 400 Float

**Howell™ 550 Dock Float**

The 550 float is the most frame friendly design with top mounted 1" drainage plug and sloped trough to eliminate water accumulation around the plug. Recessed flanges and center trough allow the use of 2' or 4' centers. Minimum wall thicknesses of 1/4" (6,4mm) and up to 5/16" (7,9mm) at fastening points making it extremely strong and resistant to splits and punctures. 10 easy to get at locations from which to attach the float to stringers.  
Floatation capacity (buoyancy) of 550lb (249,5kg).  
Dimensions: 24" x 48" x 16" (61 x 121,9 x 40,6cm)  
Tare weight of 40lb (18,1kg).



PART #	DESCRIPTION
DE99246F	Howell™ 550 Float

**TITAN™ 250 Dock Float**

Floatation capacity (buoyancy) of 250lb (113,4kg).  
Dimensions: 24" x 48" x 8" (61 x 121,9 x 20,3cm)  
Tare weight of 21lb (9,5kg).



PART #	DESCRIPTION
DE99239F	Foamed TITAN™ 250 Float

**TITAN™ 400 Dock Float**

Floatation capacity (buoyancy) of 400lb (181,4kg).  
Dimensions: 24" x 48" x 12" (61 x 121,9 x 30,5cm)  
Tare weight of 23.5lb (10,7kg).



PART #	DESCRIPTION
DE99241F	Foamed TITAN™ 400 Float

**TITAN™ 600 Dock Float**

Floatation capacity (buoyancy) of 600lb (272,2kg).  
Dimensions: 24" x 48" x 16" (61 x 121,9 x 40,6cm)  
Tare weight of 45lb (20,4kg).



PART #	DESCRIPTION
DE99243F	Foamed TITAN™ 600 Float

# DOCK2GO

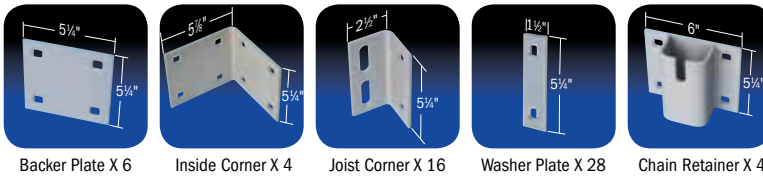
## MODULAR 6' x 12' Floating Dock Hardware Kit

All Heavy-duty Hot dip Galvanized hardware necessary to build a 6' x 12' (1,83m x 3,66m) Floating Dock\*  
Detailed construction and hardware placement instructions included.

The Dock Edge + Dock 2 Go Modular Dock Kit includes all Heavy-duty Hot dip Galvanized mounting hardware required to assemble a 6' x 12' (1,83m x 3,66m) modular floating dock section\*. Each kit may be utilized to construct a stand-alone dock or may be attached to another Dock 2 Go section using a Dock 2 Go modular connector kit to increase dock length or width as required.



Image shown is an accurate representation of a dock structure fabricated from this kit.



PART #	DESCRIPTION
DE85272F	Dock 2 Go Modular Dock Kit, 62lb (28,1kg) /Carton (Includes hardware & qty shown at left)

# DOCK2GO+

The Dock-2-Go PLUS kit comes complete with all hardware\*\* AND floatation you need to construct a modular floating dock. Even including the most popular and versatile Howell™ 550 floats.



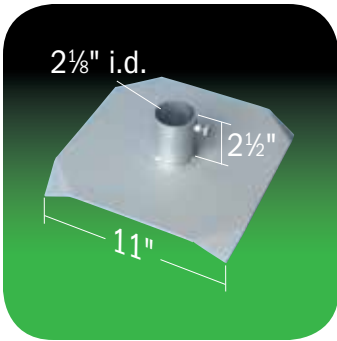
PART #	DESCRIPTION
DE85300F	Dock 2 Go Modular Dock Kit PLUS, Includes Howell 550 Dock Floats (4)

\*Fasteners, lumber, floatation and anchorage sold separately to allow for consumer preferences or requirements.  
\*\*Fasteners, lumber and anchorage sold separately to allow for consumer preferences or requirements.

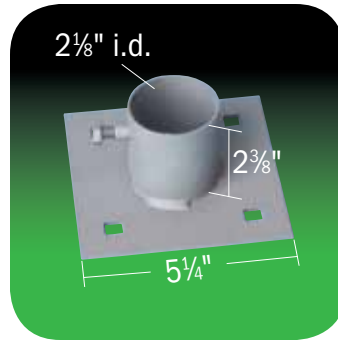
## HOWELL™ STATIONARY DOCK HARDWARE ENGINEERED FOR STRENGTH, DURABILITY & SIMPLICITY.

All Stationary Dock Hardware is 11 Gauge (1/8" nominal) Hot dip Galvanized Steel with 7/16" holes for 3/8" Carriage Bolts except where indicated.

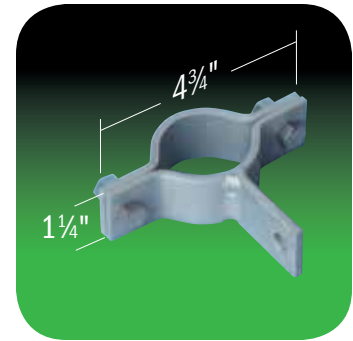
• Universal hole placement fits 2" x 8" & over lumber. Holes designed for use with any 3½", 4½" or 5½" bolt patterns.



**DE94102F** Bottom Pad. Use for soft bottom applications. Allows leg pipe to extend through to lake bed for lateral support. Pointed corners.



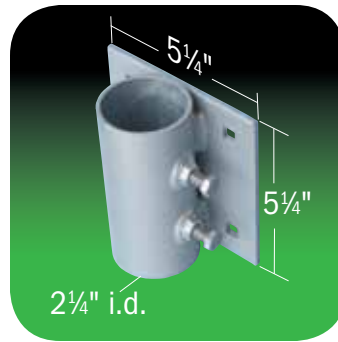
**DE86102F** Base Plate. Used as a footing. May be bolted to a 2" x 6" piece of lumber and joined to an adjacent base plate for stability.



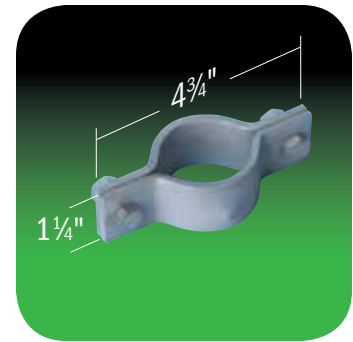
**DE87107F** Corner Leg Brace Holder. Use when attaching an DE89101F Leg brace from corner to side legs for stability.



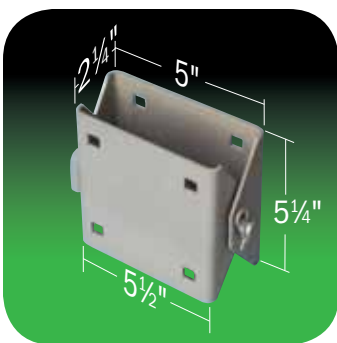
**DE86101F** Side Leg Holder. Can be mounted inside or outside of the dock frame.



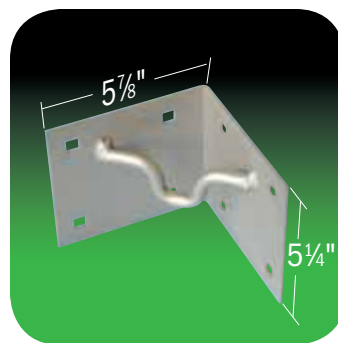
**DE99003F** HD Side Leg Holder, Galvanized. Use inside or outside of dock frame.



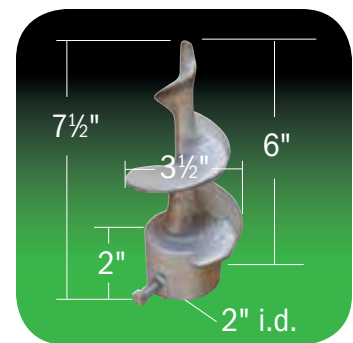
**DE93105F** Leg Brace Holder. Use with Leg Brace Set to connect leg pipes for stability.



**DE86103F** Connector Hinge. Used to join dock sections or a fixed ramp to the dock at varying angles. Includes hinge pin.



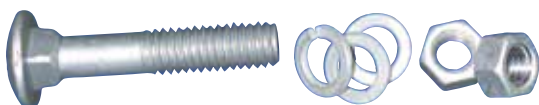
**DE91116F** Anchor Tie Down Corner. Used to secure dock in place. May also be used as inside corner for added strength.



**DE94200F** Leg Pipe Sand Auger. Fits up to 2" (5,1cm) O.D. pipe and easily penetrates sandy or soft sediment as well as packed surfaces.

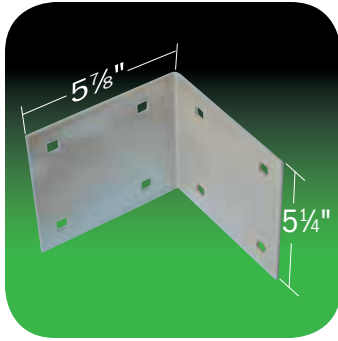
### Stationary Dock Hardware Fasteners Set

1 Set includes 8 each of 2½" x 3/8" Carriage Bolts, Lock Washers and Nuts.

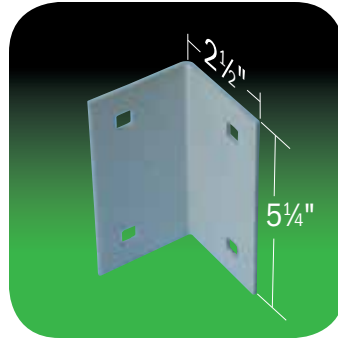


PART #  
DE85150F

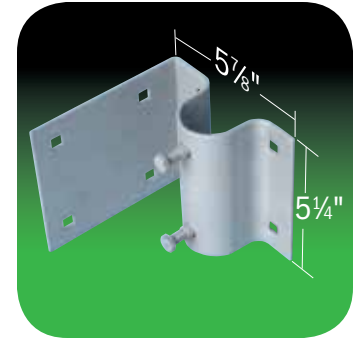
HOWELL™ STATIONARY DOCK HARDWARE continued



**DE86104F** Corner Plate. Used on inside corners for increased strength.



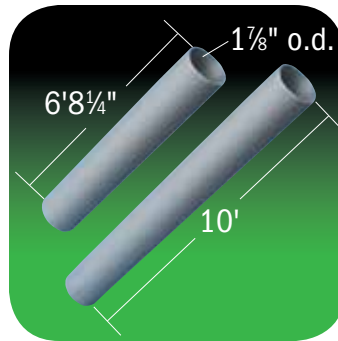
**DE95122F** Joist Corner. Used to reinforce stringer joints.



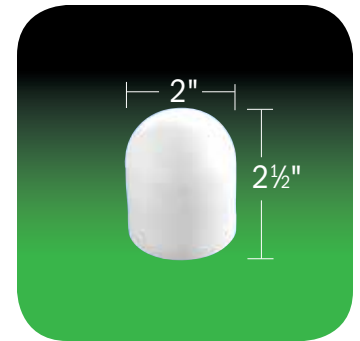
**DE86100F** Corner Leg Holder. Mounts on inside corner of framework.



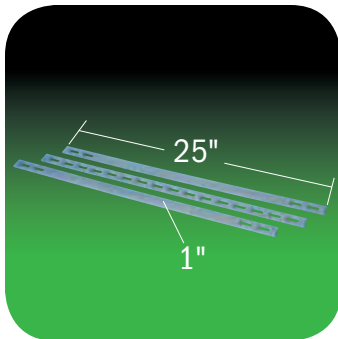
**DE86105F** Connector Hinge Kit. 3/16" thickness.



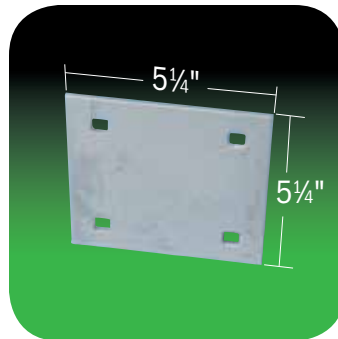
**DE93168F (6' 8") & DE93110F (10')** Galvalume Leg Pipe.



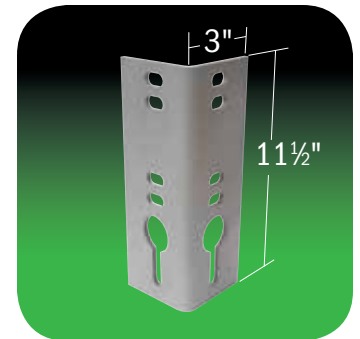
**DE91111F** Leg Cap. Use to cover raw leg pipe edges. Gives dock the finishing touch.



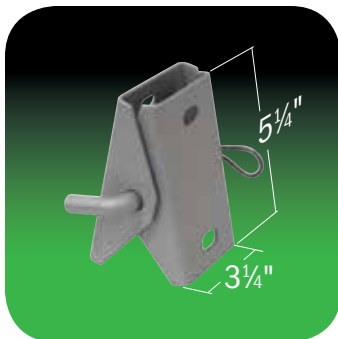
**DE89101F** Leg Brace Set. Extends up to 72". Use with Leg Brace Holders to connect legs for stability.



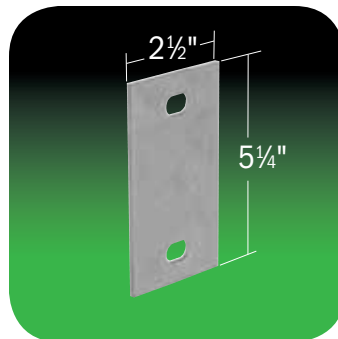
**DE87122F** Backer Plate. Prevents pipe from deforming wood causing bolt loosening and dock shifting.



**DE91119F** Anchor Chain Corner. 3/16" thickness. Universal hole placement.



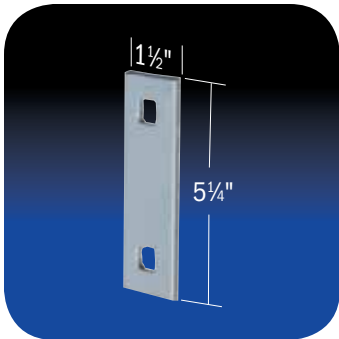
**DE86106F** Connector Hinge.



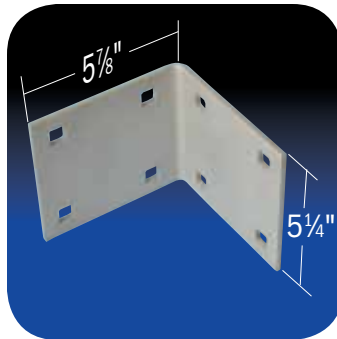
**DE95123F** Washer Plate.

## HOWELL™ FLOATING DOCK HARDWARE ENGINEERED FOR USE WITH OUR HOWELL™ and TITAN™ FLOATS

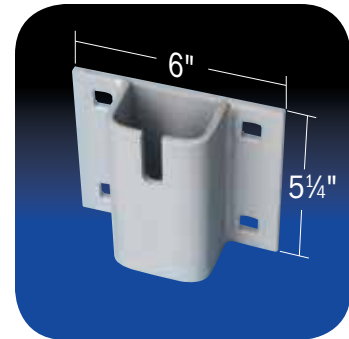
- All Floating Dock Hardware is 4 Gauge (1/4" nominal) Hot dip Galvanized Steel with 9/16" hole punches on 3 1/2" centers except where indicated.
- Slot sizes are 9/16" x 1 5/8" except where indicated
- All Male and Female Connectors have a 3/8" tab with a 7/8" hole to fit a 3/4" Pin or bolt.
- Universal hole placement fits 2" x 8" & over lumber. Holes designed for use with any 3 1/2", 4 1/2" or 5 1/2" bolt patterns.



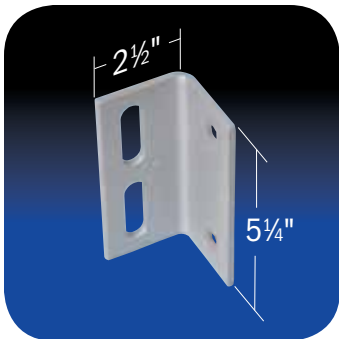
**DE99006F** Washer Plate.



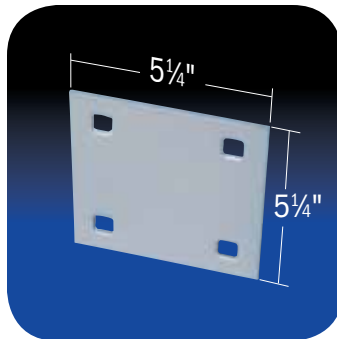
**DE92104F** Inside Corner. For lighter duty applications where an outside corner is not necessary.



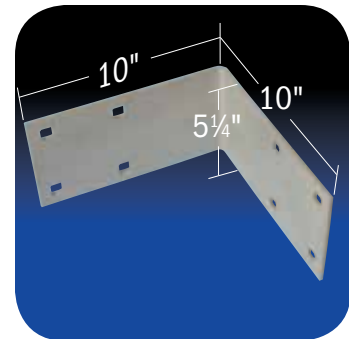
**DE99013F** Chain Retainer. Holds chain up to 1/2" to secure the dock in position.



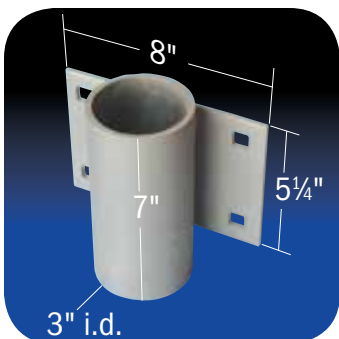
**DE99002F** Joist Corner. Use to mount stringers with DE99006F washer plates. Also use as a backer plate to prevent cleats from pulling out.



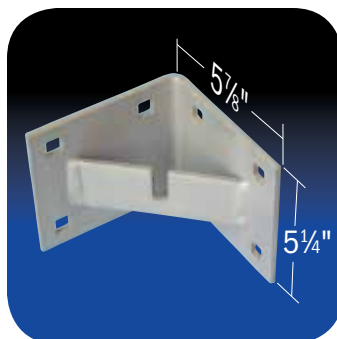
**DE93122F** Backer Plate. Used to sandwich wood framing when another piece of hardware isn't used. Prevents bolt loosening or pull-thru.



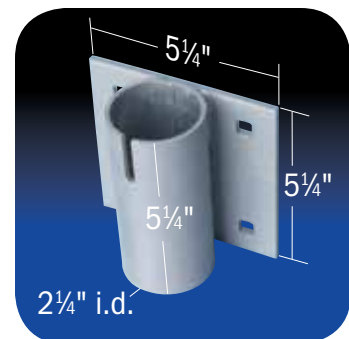
**DE99004F** Outside Corner. Use with backer plates or inside corners at outside ends of docks, fingers and swim platforms.



**DE99005F** Side Pipe Holder. Bolts to side of dock frame to anchor it in place yet allows vertical movement for water variances.



**DE92116F** Inside Anchor Corner. Use as inside corner. Adds extra strength with its' anchor chain bar. Accepts chain up to 1/2".



**DE99014F** Multi-Anchoring Leg Holder. Bolts to side of dock frame to anchor it in place yet allows vertical movement for water variances.

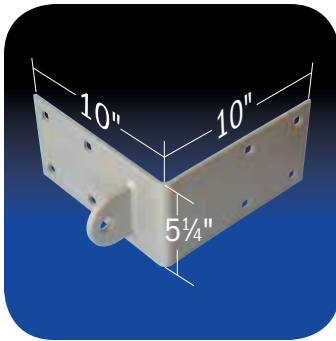
### Stationary Dock Hardware Fasteners Set

1 Set includes 8 each of 2 1/2" x 1/2" Carriage Bolts, Lock Washers and Nuts.

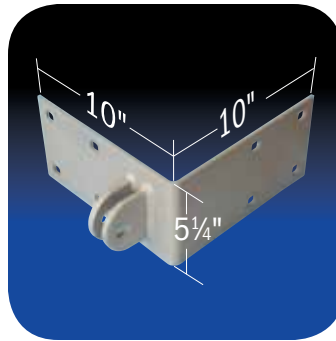


PART #  
DE85100F

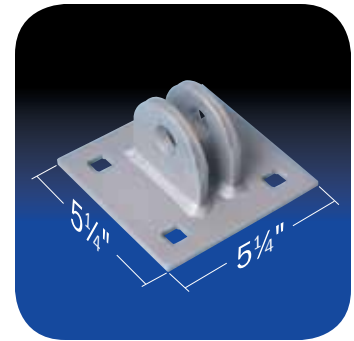
HOWELL™ FLOATING DOCK HARDWARE continued



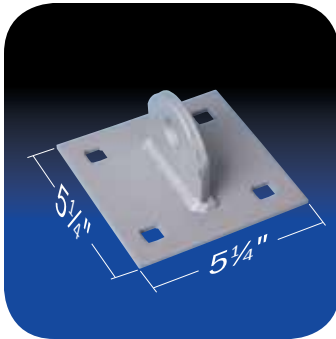
**DE99009F** Male Corner Hinge. Use with all styles of Female Connector Hinges.



**DE99010F** Female Corner Hinge. See Male Corner Hinge.



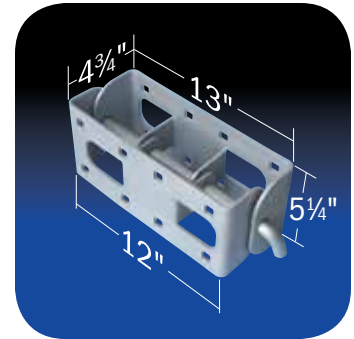
**DE99011F** Female T Connector. See Male T Connector and Connector Pin.



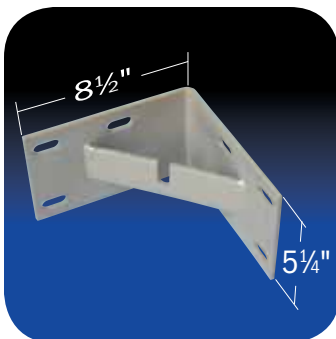
**DE99012F** Male T Connector. Use with all styles of Female Connector Hinges.



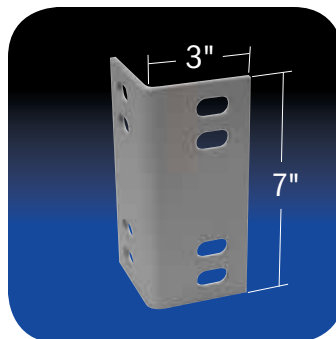
**DE96111F** Connector Pin used to join male and female connectors.



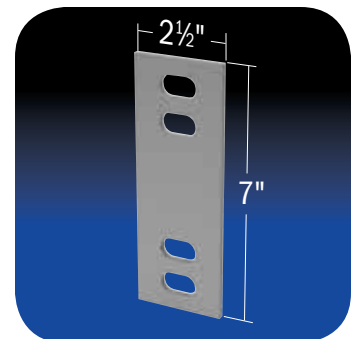
**DE91112F** HD Connector Hinge. Use at both ends of ramps when connecting dock sections to shore or joining multiple sections.



**DE99001F** HD Anchor Chain Corner. Maximum corner strength when used with DE99004F Outside Corner or any Corner Connecting Hinge. Accepts chain up to 1/2".

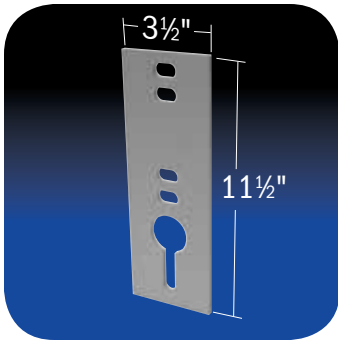


**DE98602F** Inside Corner. 3/16" thickness. Universal hole placement.

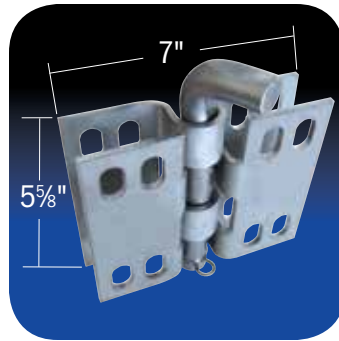


**DE98604F** Universal Plate for 2"x8" and Over. 3/16" thickness.

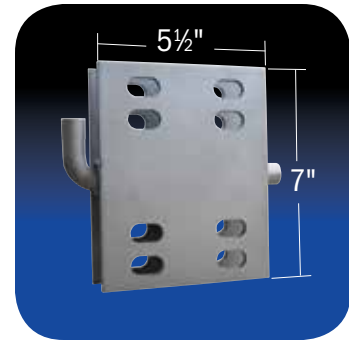
**HOWELL™ FLOATING DOCK HARDWARE** continued



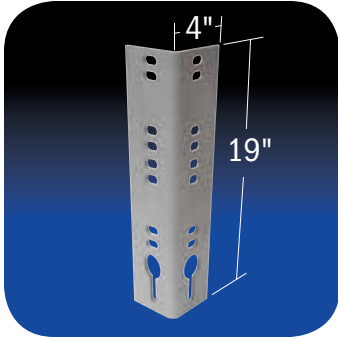
**DE98606F** Anchor Chain Plate. Universal hole placement.



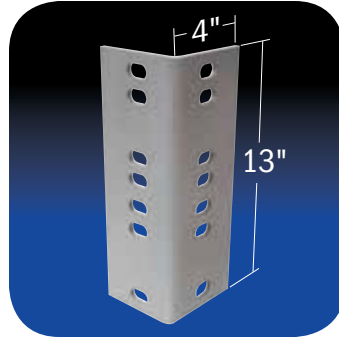
**DE98608F** Connector Hinge Ribbon. Universal hole placement.



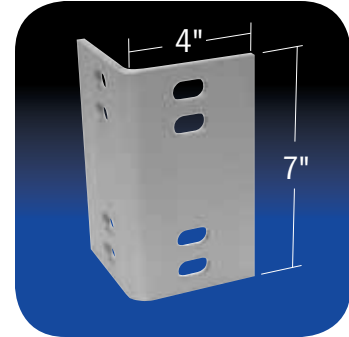
**DE98609F** Connector Hinge Low Profile. Universal hole placement.



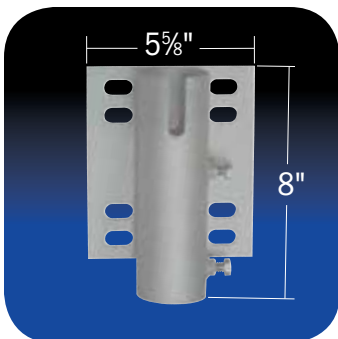
**DE98610F** Anchor Chain Corner. Universal hole placement.



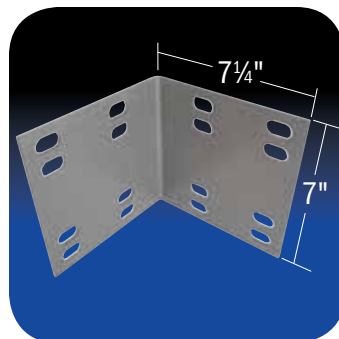
**DE98612F** Inside Corner. Universal hole placement.



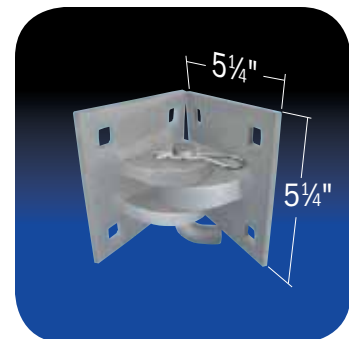
**DE98614F** Inside Corner. Universal hole placement.



**DE98616F** Multi-Anchoring Leg Holder. 3/16" thickness. Universal hole placement.



**DE98618F** Corner Inside/Outside. Universal hole placement.



**DE99020F** Connector Hinge T Style Backer Plate. Heavy-duty with 1/2" & 3/4" tabs. Universal hole placement.



All Floating Dock Hardware Sets are 4 Gauge (1/4" nominal) Hot dip Galvanized Steel with 9/16" hole punches on 3 1/2" centers except where indicated.

**Floating Connector Hinge Set**

Includes all mounting hardware required to securely attach Dock 2 Go modular dock sections together.\*  
Requires 16 x 2 1/2" x 1/2" carriage bolts, lock washer and nuts.\*\*



PART #	DESCRIPTION
DE85205F	<ul style="list-style-type: none"> <li>• 2 Male T connectors</li> <li>• 2 Female T connectors</li> <li>• 2 Connector Pins</li> <li>• 4 Backer Plates</li> </ul>

**Floating Inside Corner Set**

For lighter duty floating dock applications where an outside corner is not necessary.  
Requires 32 x 2 1/2" x 1/2" carriage bolts, lock washer and nuts.\*\*



PART #	DESCRIPTION
DE85210F	<ul style="list-style-type: none"> <li>• 4 Inside Corners</li> <li>• 4 Backer Plates</li> </ul>

**Floating Joist Corner Set**

Use to mount stringers with washer plates on your floating dock.  
Requires 8 x 2 1/2" x 1/2" carriage bolts, lock washer and nuts.\*\*

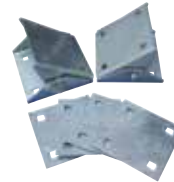


PART #	DESCRIPTION
DE85215F	<ul style="list-style-type: none"> <li>• 2 Joist Corners</li> <li>• 4 Washer Plates</li> </ul>

All Stationary Dock Hardware Sets are 11 Gauge (1/8" nominal) Hot dip Galvanized Steel with 7/16" holes for 3/8" Carriage Bolts.

**Stationary Connector Hinge Set**

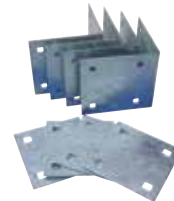
Join dock sections or a fixed ramp to the dock at varying angles.  
Requires 16 x 2 1/2" x 3/8" carriage bolts, lock washer and nuts.\*\*



PART #	DESCRIPTION
DE85220F	<ul style="list-style-type: none"> <li>• 2 Hinge Sets</li> <li>• 4 Backer Plates</li> </ul>

**Stationary Inside Corner Set**

For stationary dock applications where an outside corner is not necessary.  
Requires 32 x 2 1/2" x 3/8" carriage bolts, lock washer and nuts.\*\*



PART #	DESCRIPTION
DE85225F	<ul style="list-style-type: none"> <li>• 4 Inside Corners</li> <li>• 4 Backer Plates</li> </ul>

**Stationary Side Leg Holder Set**

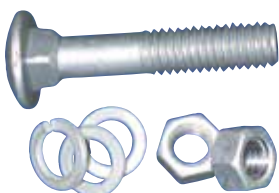
Securely mount side legs to the inside or outside of the dock frame without deforming wood causing bolt loosening and dock shifting.  
Requires 8 x 2 1/2" x 3/8" carriage bolts, lock washer and nuts.\*\*



PART #	DESCRIPTION
DE85230F	<ul style="list-style-type: none"> <li>• 2 Side Leg Holders</li> <li>• 4 Backer Plates</li> </ul>

**Floating Dock Hardware Fasteners Set**

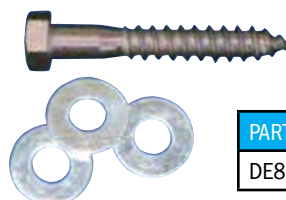
1 Set includes 8 each of 2 1/2" x 1/2" Carriage Bolts, Lock Washers and Nuts.



PART #
DE85100F

**Float Fasteners Set**

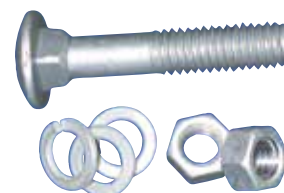
1 Set includes 8 each of 2 1/2" Lag Bolts & Flat Washers.



PART #
DE85125F

**Stationary Dock Hardware Fasteners Set**

1 Set includes 8 each of 2 1/2" x 3/8" Carriage Bolts, Lock Washers and Nuts.

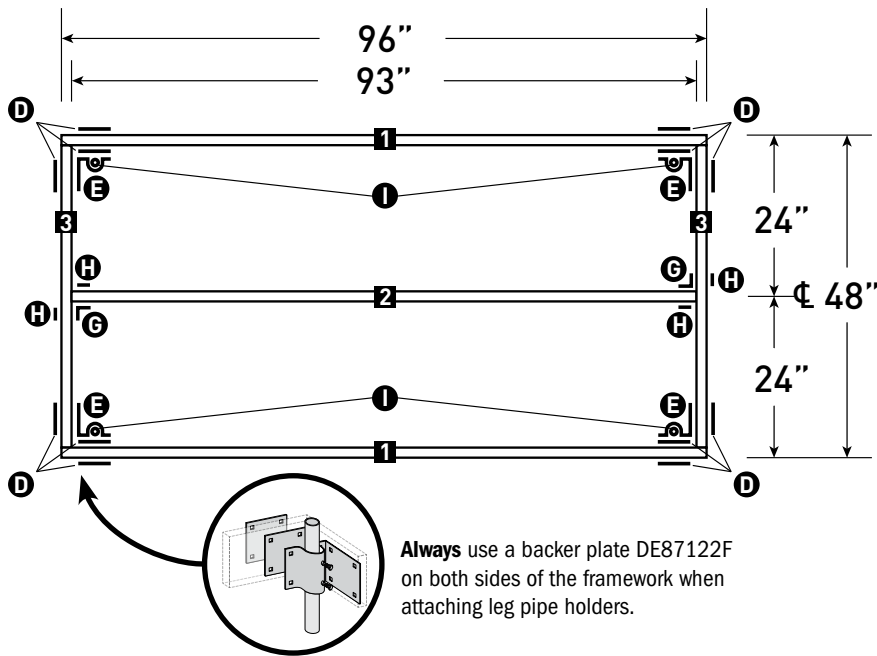


PART #
DE85150F

\*Fasteners, lumber, floatation and anchorage sold separately to allow for consumer preferences or requirements.  
\*\*Fasteners sold separately to allow for consumer preferences or requirements.

**HOW TO BUILD A 4' x 8' Stationary Dock**

**1** Assemble main framework. Drill holes for DE87122F



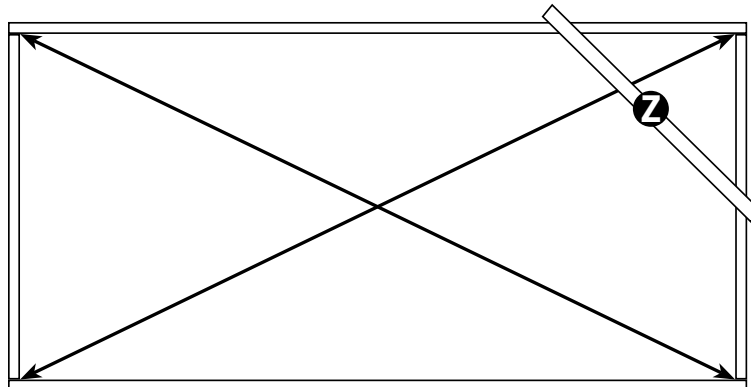
**Always** use a backer plate DE87122F on both sides of the framework when attaching leg pipe holders.

DESCRIPTION	LENGTH or PART #	QTY.
1 - End Stringer	2" x 8" x 96"	2
2 - Center Stringer	2" x 8" x 93"	1
3 - Side Stringer	2" x 8" x 45"	2
D - Backer Plate	DE87122F	12
E - Corner Leg Holder	DE86100F	4
F - Hinge Connector*	DE86103F	2
G - Joist Corner	DE95122F	2
H - Washer Plate	DE95123F	4
I - Leg Pipe, 6'8"	DE93168F	4
J - Carriage Bolt	3/8" x 2 1/2"	40
K - Lock Washers	3/8"	40
L - Nuts	3/8"	40

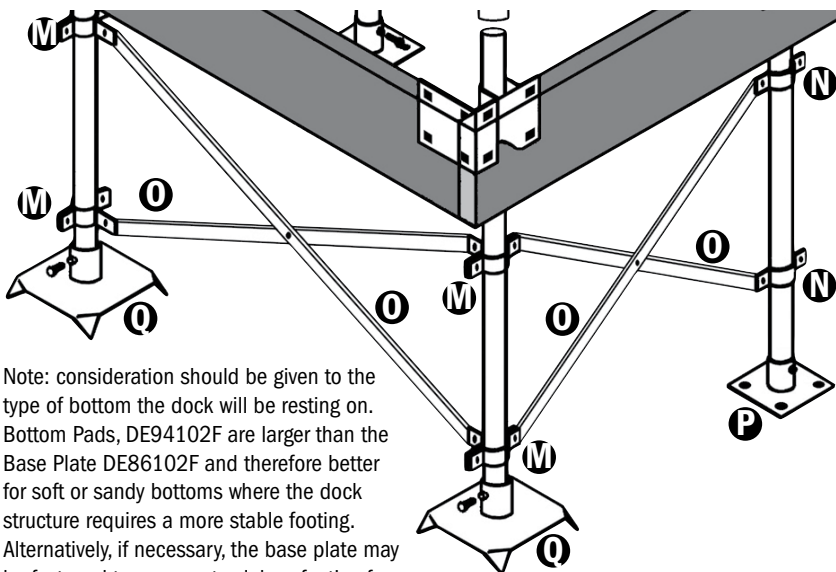
\* Required if affixing dock sections or a ramp together. Note: items J, K & L are all included in packages of 8 in Hardware Fastening Kit DE85150F.

**Squaring Your Dock Structure**

Check the squareness by measuring from corner to corner of the frame in an "X" pattern as shown. The measurement should be +/- 1/4" between each other. Lock the framework into square by temporarily securing a piece of lumber (Z) across one corner as shown.



**2** Reinforcing the leg pipes and choosing a leg pipe base for bottom conditions.



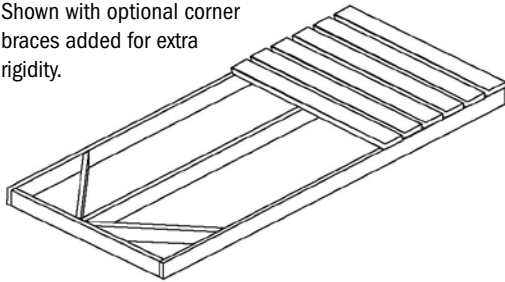
Note: consideration should be given to the type of bottom the dock will be resting on. Bottom Pads, DE94102F are larger than the Base Plate DE86102F and therefore better for soft or sandy bottoms where the dock structure requires a more stable footing. Alternatively, if necessary, the base plate may be fastened to a concrete slab or footing for additional stability or in areas of strong currents or wave action.

DESCRIPTION	PART #	QTY.
O - Leg Brace Set	DE89101F	6
M - Corner Leg Brace Holder	DE87107F	4
N - Side Leg Brace Holder	DE93105F	4
Q - Bottom Pad	OR DE94102F	4
P - Base Plate	OR DE86102F	4

Note: Several options and combinations available for stabilizing a stationary dock structure. Q or P are used for different applications.

- 3** Assemble decking and connector hinges. (hinges if attaching to another dock structure or shore ramp).

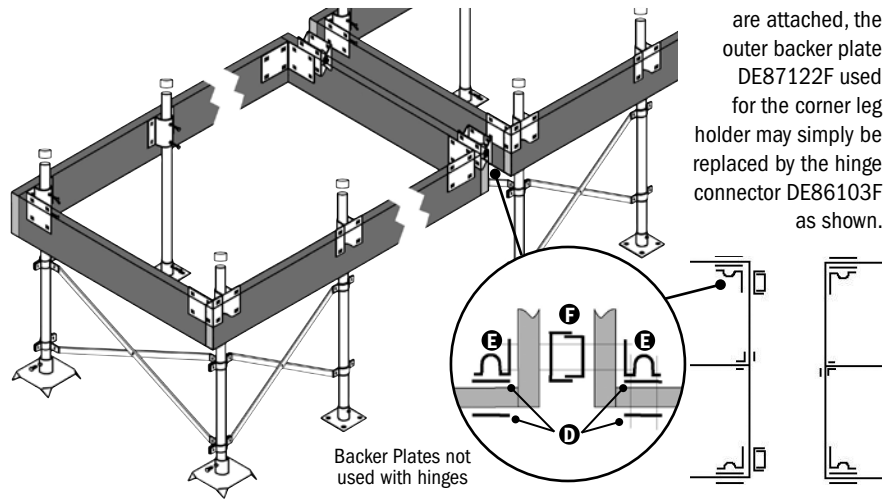
Shown with optional corner braces added for extra rigidity.



DESCRIPTION	LENGTH	QTY.
Decking	5/4" x 6" x 48"	16
R - Screws	#10 x 3"	96

**Connecting Dock Sections**

When attaching dock sections, leg braces should always be used on the leading edge of each dock section for stability.

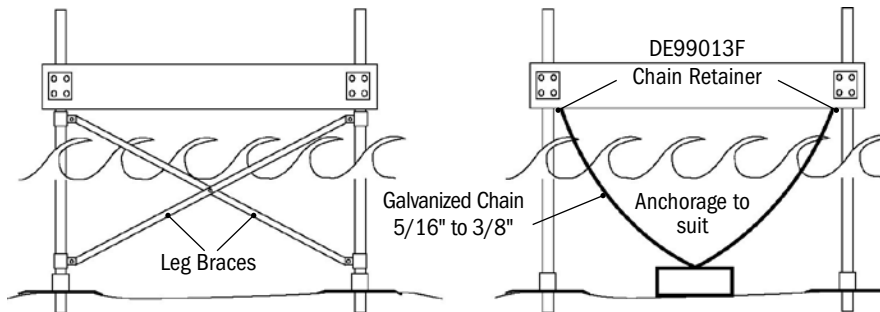


Where dock sections are attached, the outer backer plate DE87122F used for the corner leg holder may simply be replaced by the hinge connector DE86103F as shown.

Backer Plates not used with hinges

**4 STATIONARY DOCK ANCHORAGE**

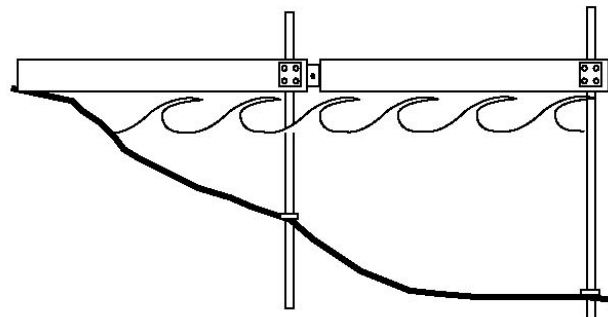
Drive leg pipes no less than 12" (30,5cm) into lake bed, 24" (61cm) if dock to be used for a boat mooring.



DESCRIPTION	LENGTH or PART #	QTY.
S - Chain Retainer	DE99013F	2
H - Washer Plate	DE95123F	4
Galvanized chain	5/16" x 48' approx	1
Hardware Fastener Kit	DE85150F	1
Anchorage	Min. 125lb ea.	2

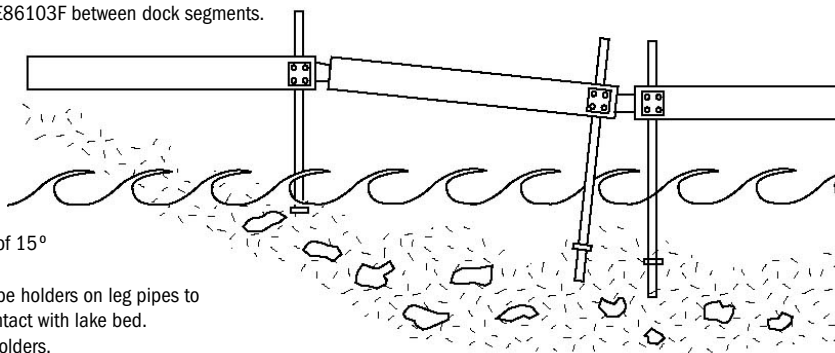
**GRADED SHORELINE INSTALLATION**

- Use hinge DE86103F between dock segments.
- Allow leg pipes to protrude below the bottom pads by approximately 12" (30,5cm) so they will become embedded in the lake bed.
- Adjust leg pipe holders on leg pipes to level dock segments before tightening.



**UNEVEN SHORELINE INSTALLATION**

- Use hinge DE86103F between dock segments.
- Allow the dock segment with the highest drop in elevation to act as a ramp to a maximum of 15° angle.
- Adjust leg pipe holders on leg pipes to sufficient contact with lake bed.
- Tighten leg holders.



**Tools Required for the average Dock Build**

(excludes sizing/cutting of structural wood members)

- Electric Drill
- 3/16" drill bit
- 3/8" drill bit or auger
- 3/8" drive Socket wrench set
- Wrench set
- #2 Robertson (square) bit drive for decking screws
- Pencil
- Measuring tape
- 2-1/2" hole saw (not required if mounting leg pipes on outer dock face)

## Hardware & Fasteners required (referenced by item letter)

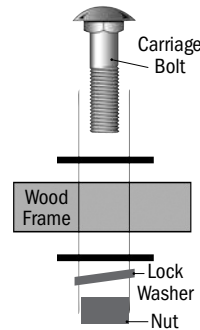
NOTE: There are 8 each of items J, K & L in Dock Edge + hardware fastener kit DE85150F



## Optional Hardware

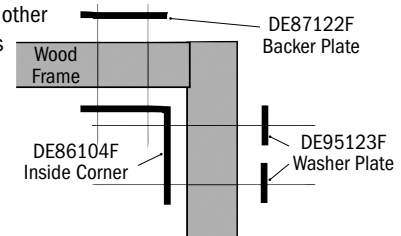


## Important Tips



Always use a lock washer with each carriage bolt usage to prevent bolts loosening over time.

Always use washer plates (DE95123F), backer plate (DE87122F) or mating hardware components together. Framework of the dock structure should be sandwiched between hardware pieces at all joint locations as shown. (sample only, other configurations possible)



## Hardware Requirements for Other Dock Sizes

For your convenience, larger versions of these plans are available for download at [www.dockedge.com](http://www.dockedge.com)

DESCRIPTION	PART #	4 x 8 Dock	8 x 8 Dock	4 x 16 Dock	8 x 16 Dock
G - Joist Corner	DE95122F	24	24	56	56
H - Washer Plate	DE95123F	4	4	4	4
E - Corner Leg Holder	DE86100F	4	4	8	8
U - Side Leg Holder (optional)	DE86101F	4	4	8	8
M - Corner Leg Brace Holder	DE87107F	4	4	8	8
N - Side Leg Brace Holder	DE93105F	4	4	8	8
O - Adjustable Leg Brace Set	DE89101F	6	6	12	12
I - Leg Pipe 6'8"	DE93168F	4	4	8	8
Q - Bottom Pad	DE94102F	4	4	8	8
P - Base Plate	DE86102F	May be used in combination with or in place of Bottom Pad DE94102F			
V - Pipe Cap	DE91111F	4	4	8	8
S - Chain Retainer	DE99013F	2 (Use at outer most end of dock structure up to 16' & every 16' thereafter)			
D - Backer Plate	DE87122F	8	8	16	16
Hardware Fastener Kit*	DE85150F	5	6	10	12
F - Connector Hinge**	DE86103F	2	2	2	2
T - Corner Plate***	DE86104F	2	2	2	4

\* 8 pack Carriage Bolts, Lock Washers & Nuts

\*\* Connector Hinges used for between-dock and shore-to-dock or ramp connections and not required for individual dock sections.

\*\*\* Corner plate hardware to be used at dock-to-shore connection of dock where leg support is not required.

## IMPORTANT:

Dock Edge + Inc. assumes no responsibility or liability for the accuracy or representation of the graphic illustrations shown in this hardware guide. These graphic illustrations are not intended to be architectural drawings, and are not to be substituted for engineered drawings. Each is intended as a guideline ONLY. Dock Edge + Inc. does not warrant the quantities and/ or bill of materials to be accurate in all uses and applications. Individual dock structures may vary by necessity, preference or design. It may be necessary to vary the amount of materials listed in this guide depending on dock size, material usage, necessity and/ or the severity of the conditions to which the dock structure is subjected to. All graphic illustrations are based on the use of conventional framework of 2" x 6" lumber and decking lumber. Freeboard may be adjusted by using 2" x 8" or 2" x 10" lumber. Substitutions in lumber and hardware placement may affect floatation.

## STATIONARY DOCK HARDWARE ASSEMBLY - DOCK SYSTEM BASICS

The following hardware guidelines should be followed closely to ensure a safe and durable dock structure.

- The Dock Edge hardware system is designed for use with 1½" thick lumber (minimum width 6").
- All hardware is mounted with carriage bolts.
- Always use backer plates or other piece of hardware when bolting through wood along with lock washers. This will eliminate the bolt pulling into or through the wood. This will allow the nuts to become loose and fall off.
- Proper distances between the pipes is critical. Use the leg brace holders (DE93105F and DE87107F) to support the length of the dock. Ensure pipe distance is not more than 72" between pipes.
- Use a piano hinge or other arrangement for decking boards over anchor chain corners for easy access for adjustment.

## DOCK HARDWARE PLACEMENT

- Sections should be connected using connector hinge (DE86103F).
- Corner bracket (DE86104F) can be used on the inside in conjunction with the DE86103F. Use backer plate (DE87122F) on opposite side.
- Start with Corner leg holder (DE86100F) at side of dock closest to the shoreline and place pipe outwards using the side leg holder (DE86101F) with a backer plate against the pipe (DE93168F / DE93110F) and the outside. Holders can be mounted on the inside.
- For mud bottoms attach mud pad (DE94102F) to the legs and for rocky or firm bottoms use the bottom pad (DE86102F).
- For all support sections use angle joist corner (DE95122F).
- All legs should be supported using the leg brace set (DE89101F) and the corner leg holder (DE87107F) and leg brace holder (DE93105F).
- To give the dock added support use the anchor chain corner (DE91116F) in each section at opposite ends.
- All pipes should be cap using the pipe caps (DE91111F) to avoid injury from sharp edges on pipe.
- Rolling wheel can be installed on the legs to assist in wheeling out the dock sections. Wheel should be attached to the dock using 2 x DE86101F and 2 x DE87122F.

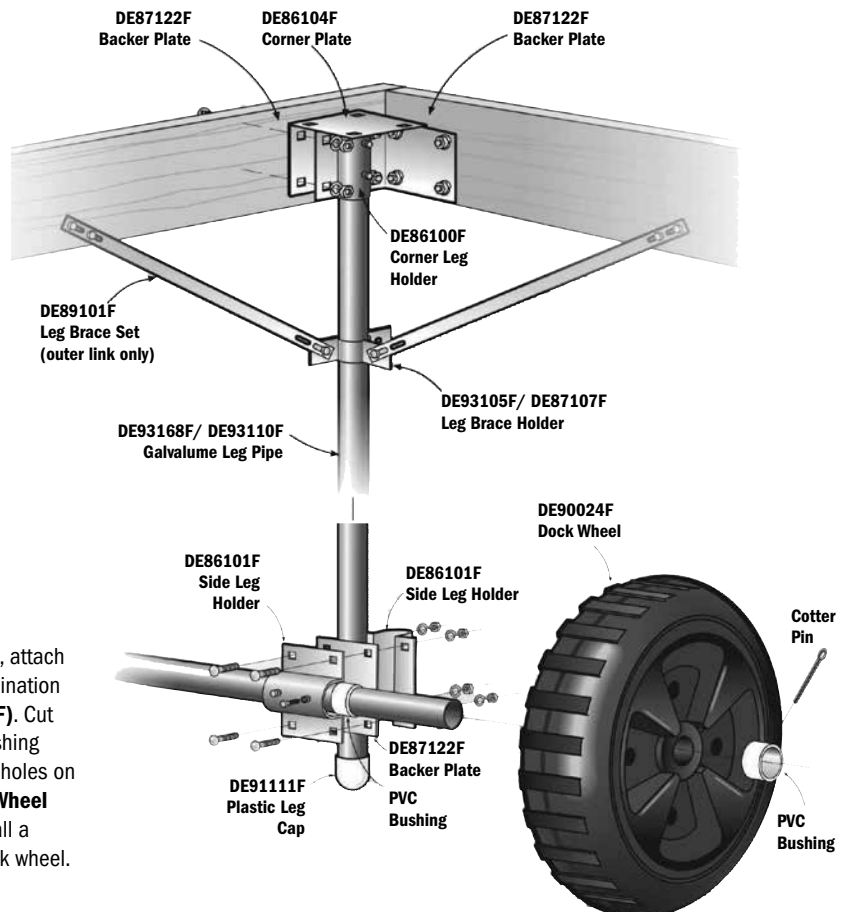
### Dock Wheel Installation:

Adding wheels to a new or existing dock doesn't need to be complicated. By using Dock Edge + hardware, wheels can be attached simply and securely. The strongest connection needs to be between the dock and the wheel assembly—this is where the most stress occurs. To add wheels to a dock, substitute a standard **Corner Plate (DE86104F)** with a **Corner Leg Holder (DE86100F)** to hold a **Galvalume Leg Pipe (DE93168F/ DE93110F)**. This Leg Pipe becomes the strut that will later hold the axle. To provide additional insurance that the Leg Pipe won't move vertically, sandwich a standard Corner Plate between the Corner Leg Holder and the wood dock frame. Rotate the Corner Plate 90° so that it covers the top of the Leg Pipe. To further increase the lateral strength of the Leg Pipe add a **Corner Leg Brace Holder (DE93105F/DE87107F)** and an arm from the **Leg Brace Set (DE89101F)** to the Leg Pipe. Bolt the other end of the arm from the Leg Brace Set to the wood dock frame. Repeat this procedure for the other side of the dock.

### Axle and wheel assembly:

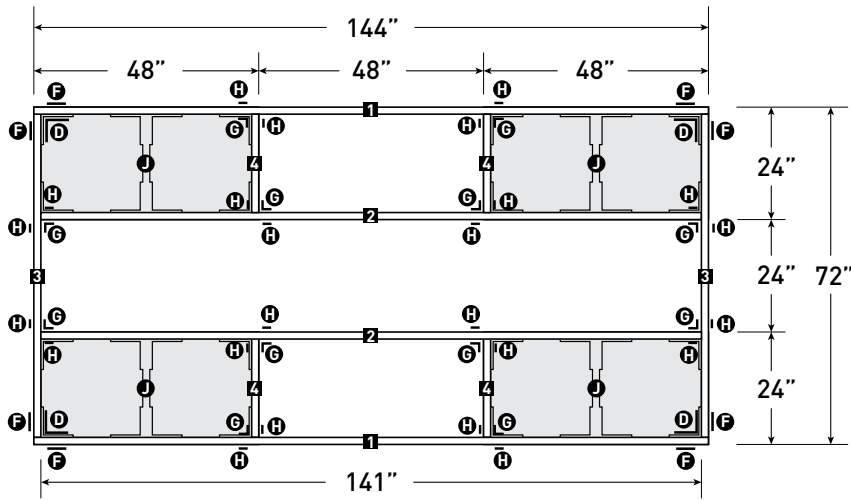
Once the Leg Pipes are securely fastened to the wood dock frame, attach the axle pipe horizontally between the two leg pipes using a combination of **Side Leg Holders (DE86101F)** and **Backer Plates (DE87122F)**. Cut a short section of PVC pipe and slide over the axle to act as a bushing between the Dock Wheel and the Side Leg Holders. Next, drill two holes on either side of the axle end to accept a cotter pin. Slide the **Dock Wheel (DE90024F)** onto the axle followed by another PVC bushing. Install a cotter pin to secure the wheel. Repeat the procedure for each dock wheel.

### Wheel Strut Attachment Detail For Dock Insertion & Removal



## HOW TO BUILD A 6' x 12' Floating Dock

**1** Assemble main framework. Drill holes for DE93122F.

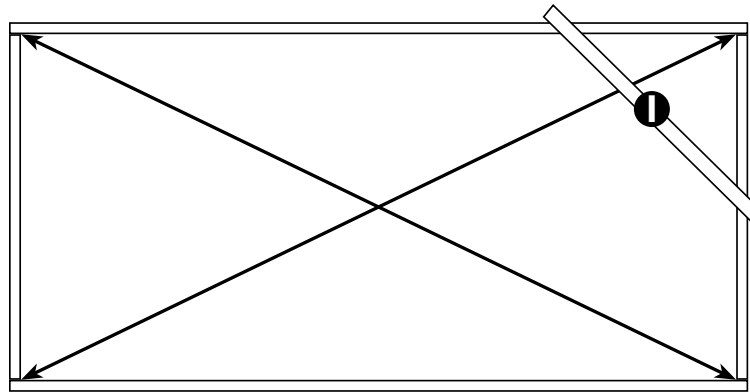


DESCRIPTION	LENGTH or PART #	QTY.
1 - End Stringer	2" x 6" x 144"	2
2 - Center Stringer	2" x 6" x 141"	2
3 - Side Stringer	2" x 6" x 69"	2
4 - Cross Stringer	2" x 6" x 21"	
D - Inside Corner	DE92104F	4
F - Backer Plate	DE93122F	8
G - Joist Corner	DE99002F	12
H - Washer Plate	DE99006F	24
E - Carriage Bolt	1/2" x 2 1/2"	80
V - Lock Washers	1/2"	80
T - Nuts	1/2"	80

Note: items E, V & T are all included in packages of 8 in Hardware Fastening Kit DE85100F.

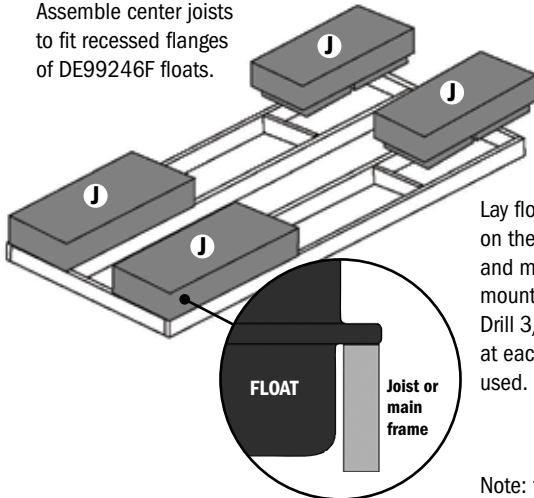
### Squaring Your Dock Structure

Check the squareness by measuring from corner to corner of the frame in an "X" pattern as shown. The measurement should be +/- 1/4" between each other. Lock the framework into square by temporarily securing a piece of lumber (I) across one corner as shown.



**2** Lay the dock frame upside down on a flat surface in order to easily install floats.

Assemble center joists to fit recessed flanges of DE99246F floats.

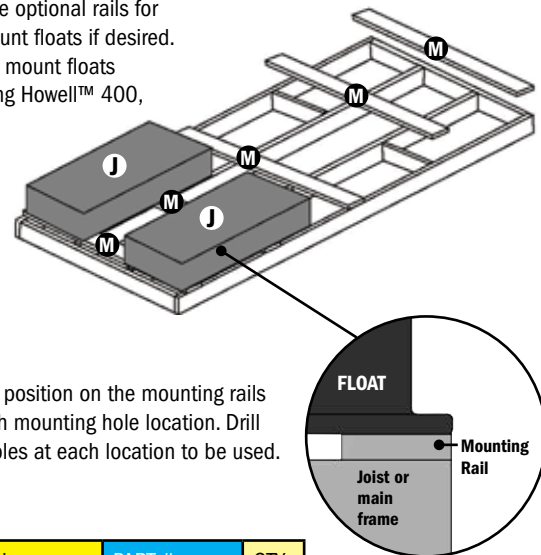


Lay floats into position on the dock framework and mark each mounting hole location. Drill 3/16" pilot holes at each location to be used.

Note: floats may be secured to framework & stringers. For flush mount floats such as the Howell™ 400, DE99242F, refer to Step 2a.

DESCRIPTION	PART #	QTY.
J - 550 Float	DE99246F	4
Float Fastener Kits	DE85125F	3

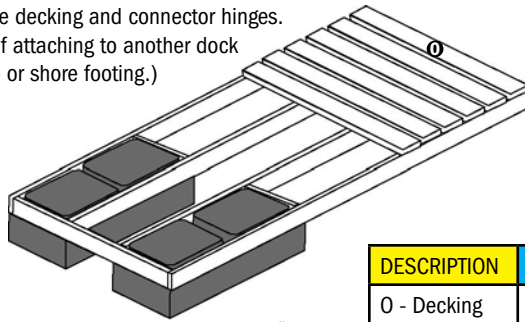
**2a** Assemble optional rails for flush mount floats if desired. For flush mount floats (optional) using Howell™ 400, DE99242F.



Lay floats into position on the mounting rails and mark each mounting hole location. Drill 3/16" pilot holes at each location to be used.

DESCRIPTION	PART #	QTY.
J - 400 Float	DE99242F	5
M - Optional float rails	2" x 6" x 72"	7
N - Screws	#10 x 3"	80
Float Fastener Kits	DE85125F	4

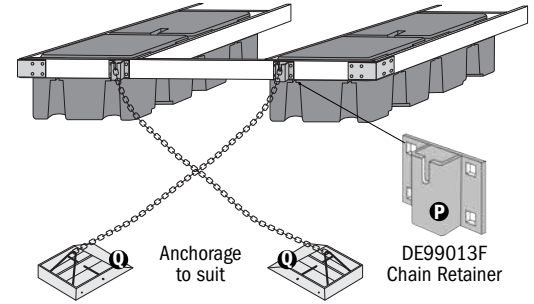
**3** Assemble decking and connector hinges.  
(Hinges if attaching to another dock structure or shore footing.)



**NOTE:** Decking lumber is milled to have one "cap" or "crown" surface which will allow water to flow away from the deck surface. When mounting the deck boards to the dock frame it is recommended to fasten the decking "cap"/ "crown" up.

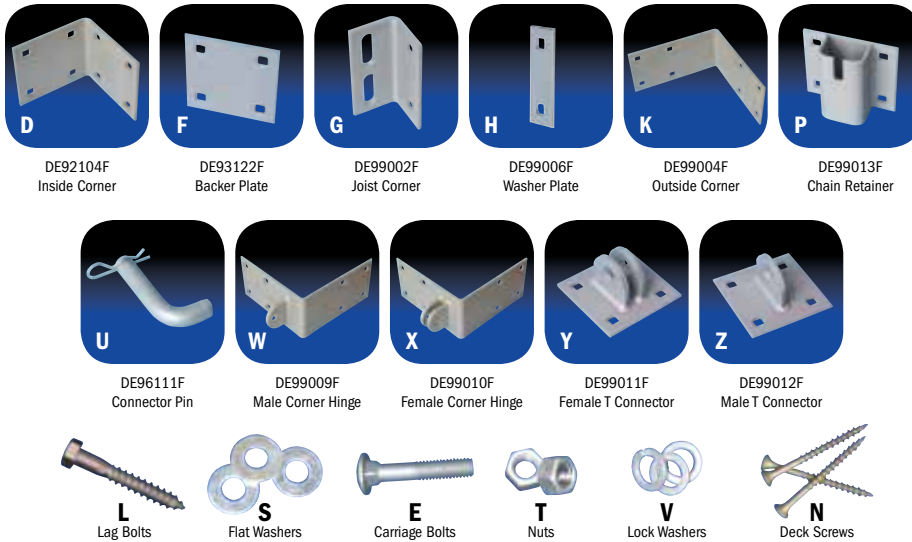
DESCRIPTION	LENGTH	QTY.
O - Decking	2" x 6" x 72"	26
N - Screws	#10 x 3"	156

**4 FLOATING DOCK ANCHORAGE**



DESCRIPTION	LENGTH or PART #	QTY.
P - Chain Retainer	DE99013F	2
H - Washer Plate	DE99006F	4
Galvanized chain	5/16" x 48' approx	1
Hardware Fastener Kit	DE85100F	1
Q - Anchorage	Min. 125lb ea.	2

**Hardware & Fasteners required (referenced by item letter)**



**Tools Required for the average Dock Build**

(excludes sizing/cutting of structural wood members)

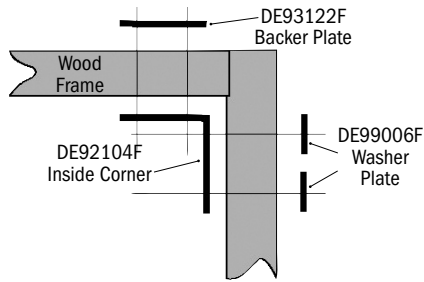
- Electric Drill
- 1/2" drill bit or auger
- 3/8" socket wrench
- 9/16" socket
- 9/16" wrench
- 3/16" drill bit
- #2 Robertson (square) bit drive for decking screws
- Pencil

**Hardware Requirements for Other Dock Sizes** For your convenience, larger versions of these plans are available for download at [www.dockedge.com](http://www.dockedge.com)

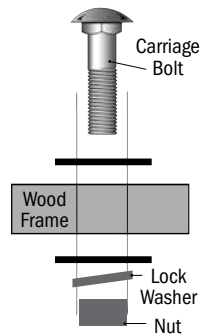
DESCRIPTION	PART #	10 x 10 Dock	12 x 12 Dock	6 x 20 Dock	8 x 20 Dock	10 x 20 Dock
G - Joist Corner	DE99002F	12	14	8	20	16
H - Washer Plate	DE99006F	24	28	16	40	32
D - Inside Corner	DE92104F	4	4			
F - Backer Plate	DE93122F	8	8	8	8	8
K - Outside Corner	DE99004F			4	4	4
J - Howell 550 Float*	DE99246F	5	7	6	8	9
J - Howell 400 Float (alternate)	DE99242F	6	9	8	10	13
Hardware Fastener Kit (8 pack Carriage Bolts, Lock Washers & Nuts)	DE85100F	10	11	8	14	12
Float Fastener Kit (8 pack Lag Bolts & Flat Washers)	DE85125F	5	7	6	8	9
P - Chain Retainer	DE99013F	2	2	2	2	2
W - Male Corner Hinge	DE99009F			1 or 2	1 or 2	1 or 2
X - Female Corner Hinge	DE99010F			1 or 2	1 or 2	1 or 2
U - Connector Pin	DE96111F	2	2	2	2	2
Z - Male T Connector	DE99012F	1 or 2	1 or 2			
Y - Female T Connector	DE99011F	1 or 2	1 or 2			

**QT:** Variation of dock sizes by a few feet may not affect the hardware required, only the framing, decking and required floatation.

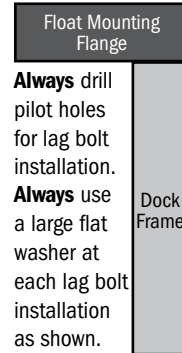
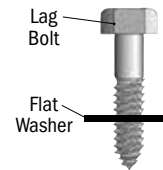
## Important Tips



**Always** use washer plates (DE99006F), backer plate (DE93122F) or mating hardware components together. Framework of the dock structure should be sandwiched between hardware pieces at all joint locations as shown. (sample only, other configurations possible)



**Always** use a lock washer with each carriage bolt usage to prevent bolts loosening over time.



**Always** drill pilot holes for lag bolt installation. **Always** use a large flat washer at each lag bolt installation as shown.

## Calculating Required Dock Floatation

Determine total square footage of dock surface area. Multiply the total area by 25 (recommended 25 lb per sq. ft. buoyancy). Divide your answer by the float model number (250, 400, 550 or 600) depending upon float desired.

**EXAMPLE** (for an 6' x 12' dock using Howell™ 400 floats):  
 $6 \times 12 = 72$   
 $72 \times 25 = 1800$   
 $1800 \div 400 = 4.5$  or **5 floats**



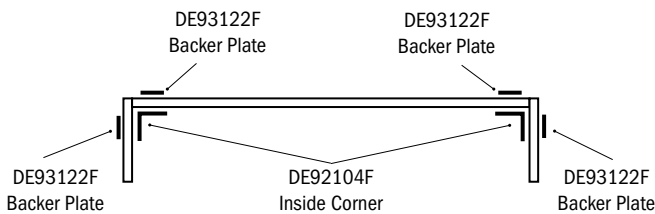
Howell™ 400  
DE99242F



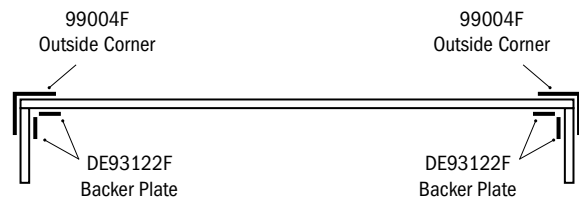
Howell™ 550  
DE99246F

## Optional Floating Dock Hardware and Connector Hinge Placement

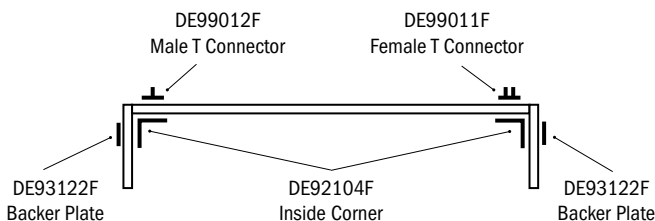
### Hardware for docks up to 12 ft. in length



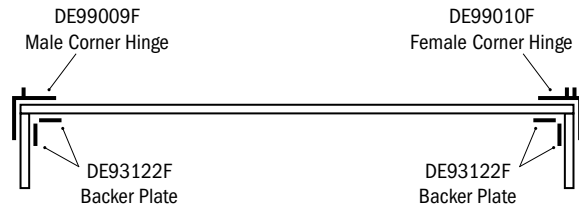
### Hardware for docks over 12 ft. in length



### Connectors for docks up to 12 ft. in length



### Connectors for docks over 12 ft. in length



## IMPORTANT:

Dock Edge + Inc. assumes no responsibility or liability for the accuracy or representation of the graphic illustrations shown in this hardware guide. These graphic illustrations are not intended to be architectural drawings, and are not to be substituted for engineered drawings. Each is intended as a guideline ONLY. Dock Edge + Inc. does not warrant the quantities and/ or bill of materials to be accurate in all uses and applications. Individual dock structures may vary by necessity, preference or design. It may be necessary to vary the amount of materials listed in this guide depending on dock size, material usage, necessity and/ or the severity of the conditions to which the dock structure is subjected to. All graphic illustrations are based on the use of conventional framework of 2" x 6" lumber and decking lumber. Freeboard may be adjusted by using 2" x 8" or 2" x 10" lumber. Substitutions in lumber and hardware placement may affect floatation.



## FLOATING DOCK HARDWARE ASSEMBLY - DOCK SYSTEM BASICS

- The Dock Edge hardware system is designed for use with 1½" thick lumber (minimum width 6").
- All hardware is mounted with carriage bolts.
- Always use backer plates or other piece of hardware when bolting through wood along with lock washers. This will eliminate the bolt pulling into or through the wood. This will allow the nuts to become loose and fall off.
- Proper chaining of a dock is critical. Use proper dock anchors (min250lbs per anchor) and cross chains. If there is no water fluctuation chains may be pulled taut by having a few people stand on the corner while you tighten chain.
- Use a piano hinge or other arrangement for decking boards over anchor chain corners for easy access for adjustment.

## HARDWARE PLACEMENT GUIDE

- All male and female dock-to-dock ¾" connections are made with either ¾" bolts with lock nuts or ¾" connecting pin (DE96111F).
- For joining sections of dock use heavy-duty hinge (DE91112F).
- Outside female corner (DE99010F) features two ½" welded tabs. Use with a male outside corner (DE99009F).
- Outside male corner features one ½" welded tab. Use with a female outside corner to connect docks end to end.
- Joint requires ¾" bolt set or connector pin (DE96111F).
- Outside corner ends (DE99004F) use at ends of fingers and docks. Ideal for swim floats and ski jump corners.
- Inside corner (DE92104F) should be used with a backer on the outside DE93122F, DE99011F or DE99012F.
- Use heavy-duty angle (DE99002F) for all cross supports.
- Female T connector (DE99011F) has two welded ½" tabs. Use to bolt to the side of dock to attach fingers and ramps.
- Male T connector (DE99012F) has one welded ½" tab and it must be used with the female T connector (DE99011F) to attach fingers and ramps. Use two washer plates (DE99006F) with each angle.
- Chain Retainer (DE99013F) bolts to the side of the dock. Use weights and chains to hold dock in place. Accommodates ¼", ⅜" and ½" chain.
- Pipe holder (DE99005F) mounts to the outside of the dock. Carriage bolt is required for attaching. Use 2" pipe to hold dock in place.
- Anchor chain holder (DE99001F) use to anchor dock in place of the chain retainer. Hides the chain and ensures no interference with chain as it runs under the dock.
- All floats are attached to dock using carriage bolts with washer. Fastened from below upwards through slot on floats into the stringer.

## HOW TO CALCULATE FLOATATION

- Weight of wood and hardware = 5-7lbs per square foot (based on 2 x 6 cedar)
- Weight of people and furniture = variable
- Dock with floats should average sinking 20-30% into the water leaving 70-75% remaining floatation for "variable" before dock submerges
- Dock square footage multiplied by 25 divided by floatation capacity = amount of floats required
- Dock weight divided by floatation capacity = % dock (float) will sink with no people on it yet
- Dock weight divided by floatation required x float height = # inches dock (float) will sink with no people on it yet

## SAMPLE FLOATATION CALCULATIONS:

**EXAMPLE 1** Dock 4' x 10' (40 sq. ft.) @ 6 lbs per sq. ft. = 240lbs  
 Variable - 4 people @150 lbs = 600lbs  
 FLOATATION REQUIRED = 840lbs

Thus 40 sq. ft. x 25 lbs per square foot divided by the capacity of the dock float (Howell 400) = 3

Three Howell 400 floats @ 400lbs each = 1200 lbs floatation

Float will sink approximately 20% or 3.42"

This design would be useful as a walkway for docking only - float height 12" and should be anchored for lateral stability.

**EXAMPLE 3** Dock 8' x 10' (80 sq. ft.) @ 6lbs per sq. ft. = 480lbs  
 Variable - 5 people @ 150lbs = 750lbs  
 FLOTATION REQUIRED = 1230lbs

Thus 80 sq. ft. x 25lbs per square foot divided by the capacity of the dock float (Howell 400) = 5

Five Howell 400 floats @ 400lbs each = 2000lbs floatation

Float will sink 24% or 4.7"

This design would be useful for dock/floating dock accommodating more people and accessories. 4 x Howell @ 550lbs = 2200lbs floatation could be used to accommodate additional weight and raise dock for easier boat access, float height 16".

**EXAMPLE 2** Dock 6' x 10' (60 sq. ft.) @ 6 lbs per sq. ft = 360lbs  
 Variable 5 people @ 150 lbs. = 750lbs  
 FLOATATION REQUIRED = 1110lbs

Thus 60 sq. ft. x 25lbs per square foot divided by the capacity of the dock float (Howell 550) = 3

Three Howell 550 floats @ 550lbs each = 1650 lbs floatation

Float will sink 22% or 5.2"

This design is a stable configuration useful for medium size docks and joining sections for combo walkway dock and can be built in longer lengths.

**EXAMPLE 4** Dock 10' x 12' (120 sq. ft.) @ 6lbs per sq. ft. = 720lbs  
 Variable - 7 people @ 150lbs = 1050lbs  
 FLOATATION REQUIRED = 1770lbs

Thus 120 sq. ft. x 25lbs per square foot divided by the capacity of the dock float (Howell 550) = 5

Five Howell 550 floats @ 550lbs each = 2750lbs floatation

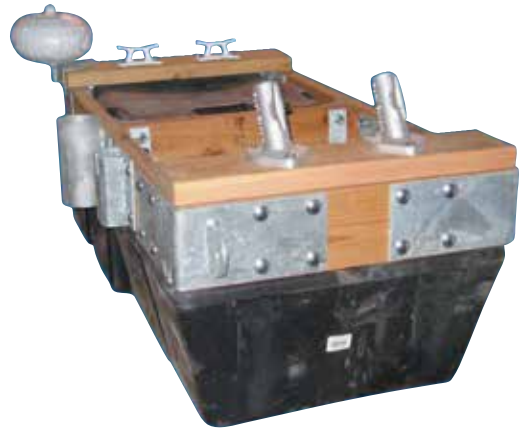
Float will sink 26% or 6.5"

This design would be useful for dock/floating patio application float height 16" Adding 1 more 550 float = 3300lbs allowing for more people, chairs, accessories, etc. and keeping dock high so boat wake, wave action does not splash over top. Float will sink approx. 22% or 5.2"

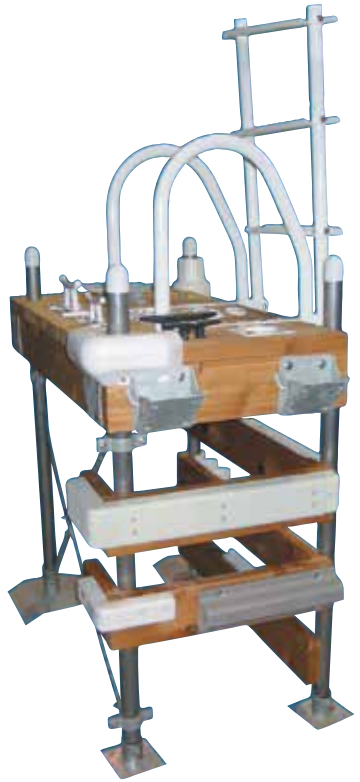
Sample Plan-O-Grams



Floating Dock Displays



Stationary Dock Displays



- Brochures
- Product Special Flyers
- Catalogues
- Construction Guides



**LIMITED WARRANTY INFORMATION – ALL PRODUCTS**

Dock Edge + Inc. warrants all products to be free of defects in workmanship and material for a period of two years (unless uniquely specified in one of the following paragraphs below) when used under normal conditions and for which use they are intended. Dock Edge + Inc. shall not be liable for any incidental, consequential or special damages, without limitation any lost profits, business interruption, loss of opportunity or loss of revenue, resulting from the misuse of Dock Edge + Inc. products and does not assume any liability of purchaser or others for injury to persons or property. Dock Edge + Inc. makes no express or implied warranties other than the warranties set forth herein, including without limitation, the warranties of merchantability, fitness for a particular purpose, or from any trade usage.

Any defective product must be returned with a Return Goods Authorization # before being returned to Dock Edge + Inc. A copy of the original sales receipt, must accompany all claims. The freight on the defective goods is the responsibility of the consumer. Obligation under this warranty is limited to repair, replacement, or credit for the defective product, provided that Dock Edge + Inc. determines that the product defect was not the result of misuse or neglect. Dock Edge + Inc. will return the product repaired or replaced.

Some States and/or Provinces do not allow the limitation of incidental or consequential damages, or on the duration of an implied warranty so the above limitations or exclusions may not apply to you. This warranty may vary from State to State or Province to Province. This warranty gives you specific legal rights and you may also have other rights which vary from State to State or Province to Province.

To receive more information or to service the obligations under this warranty, contact Dock Edge + Inc. at 1-800-295-3625 or at the following mailing address:

Dock Edge + Inc. · 300 New Huntington Rd. · Woodbridge, Ontario · Canada · L4H 0R4  
Website: [www.dockedge.com](http://www.dockedge.com) · Email: [info@dockedge.com](mailto:info@dockedge.com)

**VINYL FENDERS LIFETIME WARRANTY**

Dock Edge + Inc. warrants the vinyl fenders for the life of the boat. Dock Edge + Inc. warrants its vinyl fenders to be free of defects in workmanship and materials under normal use and when used under the conditions for which the product is intended. Dock Edge + Inc. will repair or replace the fender, provided that the product failure is limited to air loss from SPLITTING or BURSTING. Excluded from this warranty are fenders that are over inflated or have become useless from cuts or punctures, or disfigured from continued wear or use, or from the use of harmful solvents. Obligation under this warranty is limited to repair, replacement or credit of the defective fender. Dock Edge + Inc. reserves the right to request a return of the product for inspection. No returned merchandise will be accepted without prior authorization. Dock Edge + Inc. shall not be liable for any incidental, consequential or special damages, without limitation any lost profits, business interruption, loss of opportunity or loss of revenue, resulting from the misuse of Dock Edge + Inc products and does not assume any liability of purchaser or others for injury to persons or property. This warranty is in lieu of all other warranties, expressed or implied.

**LIFE RING BUOY 7 YEAR WARRANTY**

This product is warranted to be free of defects in materials and workmanship. The shell of the buoy is warranted for seven years from the date of sale. This warranty covers the floatation of the buoys when used for its intended purpose under exposure to normal sun, wind, weather, and water conditions. Obligation under this warranty does not extend to any act of vandalism. A copy of the original sales receipt, documenting date of purchase, must accompany all warranty claims. Obligation under this warranty is limited to repair, replacement, or credit for the defective buoy at our discretion. Dock Edge + Inc. reserves the right to request return of the product for inspection. No returned merchandise will be accepted without prior authorization. Dock Edge + Inc. shall not be liable for any incidental, consequential or special damages, without limitation any lost profits, business interruption, loss of opportunity or loss of revenue, resulting from the misuse of Dock Edge + Inc products and does not assume any liability of purchaser or others for injury to persons or property. This warranty is in lieu of all other warranties, expressed or implied.

**DOCK FLOAT 10 YEAR WARRANTY**

This product is warranted to be free of defects in materials and workmanship. The float is warranted for 10 years from the date of sale. This warranty covers the floatation of the float when used for its intended purpose under exposure to normal sun, wind, weather, and water conditions. Obligation under this warranty does not extend to any act of vandalism. A copy of the original sales receipt, documenting date of purchase, must accompany all warranty claims. Obligation under this warranty is limited to repair, replacement, or credit for the defective float at our discretion. Dock Edge + Inc. reserves the right to request return of the product for inspection. No returned merchandise will be accepted without prior authorization. Dock Edge + Inc. shall not be liable for any incidental, consequential or special damages, without limitation any lost profits, business interruption, loss of opportunity or loss of revenue, resulting from the misuse of Dock Edge + Inc. products and does not assume any liability of purchaser or others for injury to persons or property. This warranty is in lieu of all other warranties, expressed or implied.

**MOORING WHIPS 3 YEAR WARRANTY**

This product is warranted to be free of defects in materials and workmanship. The mooring whips are warranted for 3 years from the date of sale. This warranty covers the whips poles and bases. Damage caused by improper use, care or installation is not covered by this warranty. The consumer should refer to the installation manual to ensure all lines and hardware are fastened securely and correctly. These whips will withstand most fluctuating tides and winds. However, some conditions and mooring areas may be too rough for mooring whip installation. Obligation under this warranty is limited to repair, replacement or credit of the defective whip. Dock Edge + Inc. reserves the right to request a return of the product for inspection. No returned merchandise will be accepted without prior authorization. Dock Edge + Inc. shall not be liable for any incidental, consequential or special damages, without limitation any lost profits, business interruption, loss of opportunity or loss of revenue, resulting from the misuse of this product, and does not assume any liability of purchaser or others for injury to persons or property. This warranty is in lieu of all other warranties, express or implied.

**SOLAR LIGHTING WARRANTY**

**GENERAL:** These products are warranted to be free from defects in workmanship and material present at the time of shipment from the factory for a period of one year after the date of purchase by the original purchaser. We agree to correct such defects without charge or at our option replace with a comparable or superior model if the product is returned to the retailer. To obtain warranty service, you must present a copy of the receipt as proof of purchase. All costs of removing and reinstalling the product are your responsibility. Damage to any part such as by accident or misuse or improper installation or by affixing any accessories, is not covered by this warranty. There is no other express warranty. The retailer hereby disclaims any and all warranties, including but not limited to, those of merchantability and fitness for a particular purpose to the extent permitted by law. The duration of any implied warranty, which cannot be disclaimed, is limited to the time period as specified in the express warranty. Some states do not allow limitation on how long an implied warranty lasts, so the above limitation may not apply to you. The retailer shall not be liable for incidental, consequential, or special damages arising out of or in connection with the product use or performance except as may otherwise be accorded by law. Some states do not allow the exclusion of the incidental or consequential damage, so the above exclusion or limitation may apply to you. This warranty gives specific legal rights, and you may also have other rights, which vary from state to state. This warranty supersedes all prior warranties.

**STARLITE™ Series Solar:** Warranted to be free from defects in workmanship and material present at the time of shipment from the factory for a period of five years after the date of purchase by the original purchaser

**TRADEMARK**

Dock Edge + Inc. logo is a registered trademark of Dock Edge + Inc. Aquamat is also a registered trademark of Dock Edge + Inc. Howell and Dolphin are amongst other trademarks of Dock Edge + Inc. or its subsidiaries.

**PROPRIETARY INFORMATION**

This Dock Edge + Inc. catalogue is provided for the use of Dock Edge + Inc. customers, affiliates and associates. Dock Edge + Inc. owns and retains the copyrights in the materials found in this catalogue. No one shall have the right to copy or republish in any form, any information found in this Dock Edge + Inc. catalogue. No material from this Dock Edge + Inc. catalogue maybe copied, reproduced, republished, transmitted, or distributed, without the written consent of Dock Edge + Inc.

Dock Edge + Inc. reserves the right to change or make alterations to any product in this catalogue by means of color and/or material without notice. We continually strive to provide our customers with innovative and Quality marine products. This may result in altering current product lines to accommodate those changes. Dock Edge + Inc. makes no express warranties regarding the information provided in this catalogue.

The descriptions and guidelines shown in this literature should be used as a general reference only. For any further technical information please contact our Technical Service. Contents of this Brochure/Catalog are based on the latest information available at the time of publication. CMP / Dock Edge assumes no responsibility for the accuracy of the information contained herein. Product specifications are subject to change without notice.



**DOCK EDGE  INC.**  
**Your Dock - Your Way**  
 13<sup>th</sup> EDITION



**DOCK EDGE  INC.**

300 New Huntington Road  
 Woodbridge, ON, L4H 0R4

[www.dockedge.com](http://www.dockedge.com)

TOLL FREE: 800-295-3625

