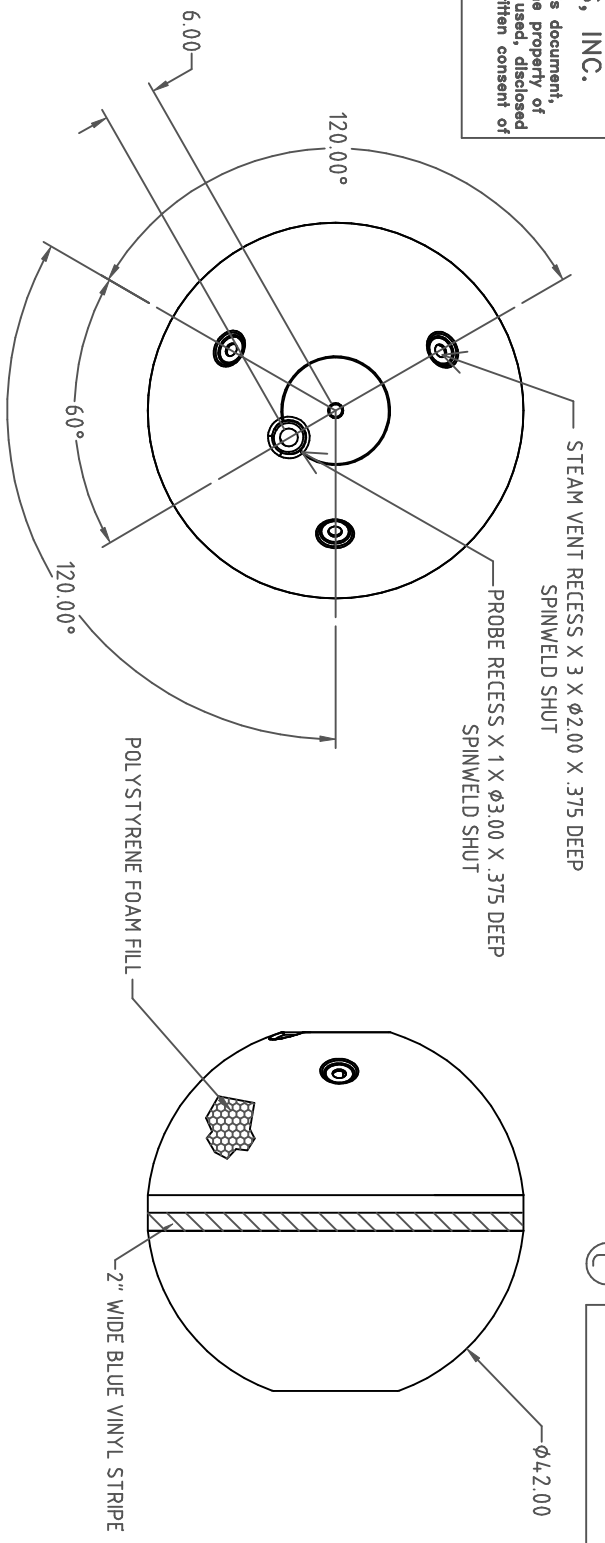


© DEN HARTOG INDUSTRIES, INC.

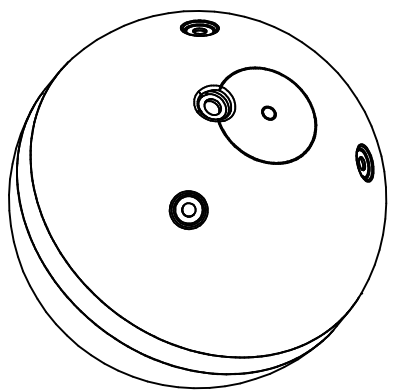
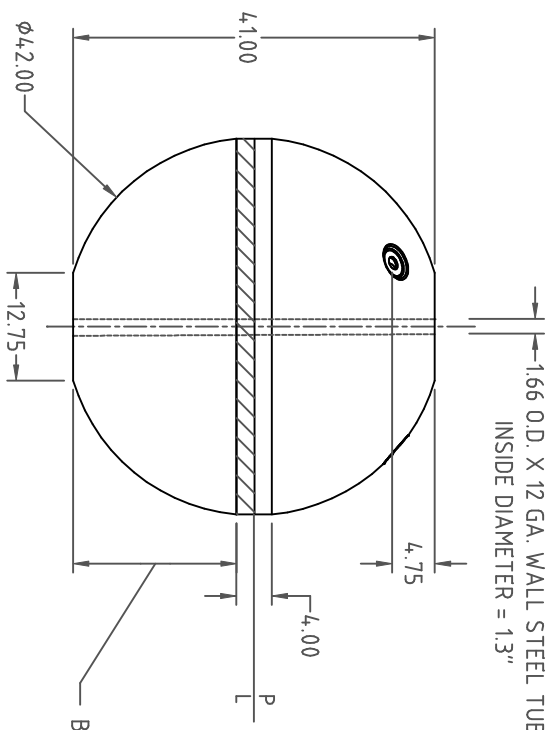
Copyright. All information furnished within this document, electronic file or design correspondence is the property of Den Hartog Industries, Inc. and shall not be used, disclosed to others or copied without the expressed written consent of Den Hartog Industries, Inc.



FFMB-4242RND

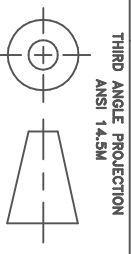
NOTES:

1. SHIPPING WEIGHT = 86 LB.
2. SHIP IN CARTON 1914.9



C	CHANGED P.N.	10/27/10 REH	CCN2106	DRAWN / DATE	REH/2/6/03
B	ADDED USEABLE BUOYANCY	3/28/08 DHJ	CCN1638	APPRD. / DATE	DHJ/2/6/03
A	SHAFT CUT FLUSH WITH ENDS	5/20/03	CCN		
REV	DESCRIPTION	DATE	CCN		

ALL DIMENSIONS ARE IN DECIMAL INCHES
TOLERANCES UNLESS OTHERWISE SPECIFIED
+ .5% @ 68° F



MATERIAL / SHOT WEIGHT

E/M 8460, WHITE
54 LB.

NOTES:

1. NOMINAL WALL .275



Ace Roto-Mold
A DIVISION OF DEN HARTOG INDUSTRIES, INC.
4010 HOSPERS DRIVE SOUTH, BOX 425, HOSPERS, IA 51238

CLIENT / DESCRIPTION

BUOY, 4.2" DIA.

SCALE

DOES NOT APPLY

PART NO.

FFMB-4242RND