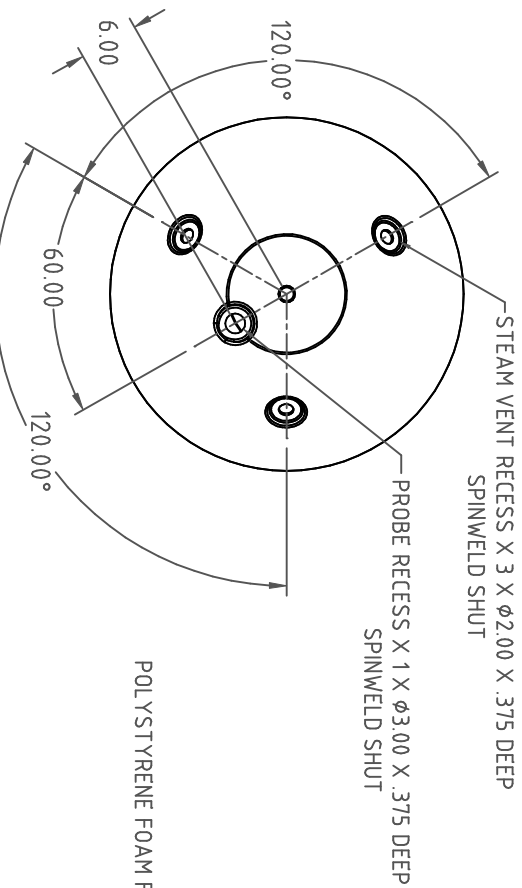


© DEN HARTOG INDUSTRIES, INC.  
 Copyright. All information furnished within this document, electronic file or design correspondence is the property of Den Hartog Industries Inc. and shall not be used, disclosed to others or copied without the expressed written consent of Den Hartog Industries, Inc.

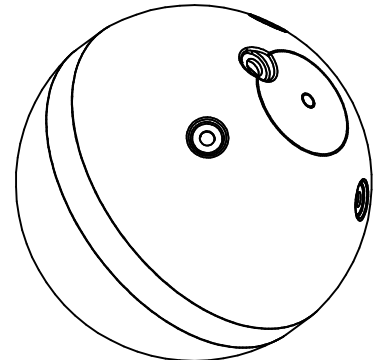
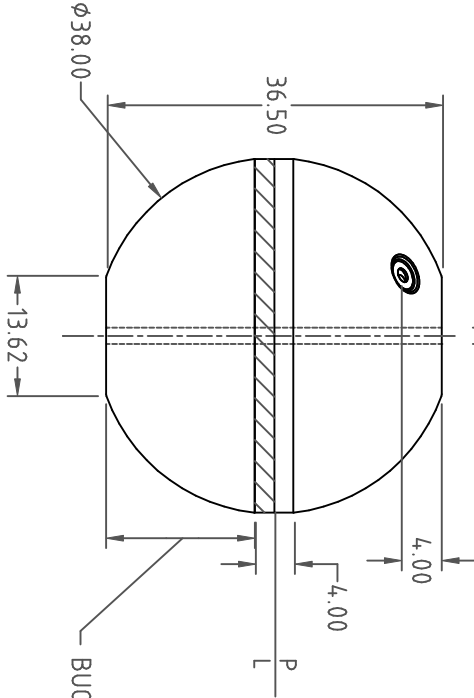
©


FFMB-3838RND

©

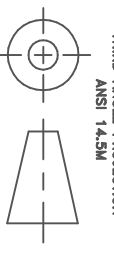


NOTES:  
 1. SHIPPING WEIGHT = 65 LB.  
 2. SHIP IN CARTON 19148



C	CHANGED P.N.	10/27/10 REH	CCN2106	DRAWN / DATE	REH/2/10/03	MATERIAL / SHOT WEIGHT	 Ace Roto-Mold A DIVISION OF DEN HARTOG INDUSTRIES, INC. 4010 HOSPERS DRIVE SOUTH, BOX 425, HOSPERS, IA 51238	
B	ADDED USEABLE BUOYANCY	3/28/08 DHJ	CCN1638	APPRD. / DATE	DHJ/2/10/03	E/M 8460, WHITE	CLIENT / DESCRIPTION BUOY, 38" DIA.	
A	SHAFT CUT FLUSH WITH ENDS	5/20/03				4.1 LB.	SCALE DOES NOT APPLY	
REV	DESCRIPTION	DATE	CCN				PART NO. FFMB-3838RND	

ALL DIMENSIONS ARE IN DECIMAL INCHES  
 TOLERANCES UNLESS OTHERWISE SPECIFIED  
 + .5% @ 68° F



THIRD ANGLE PROJECTION  
 ANSI 14.5M  
 NOTES:  
 1. NOMINAL WALL .250