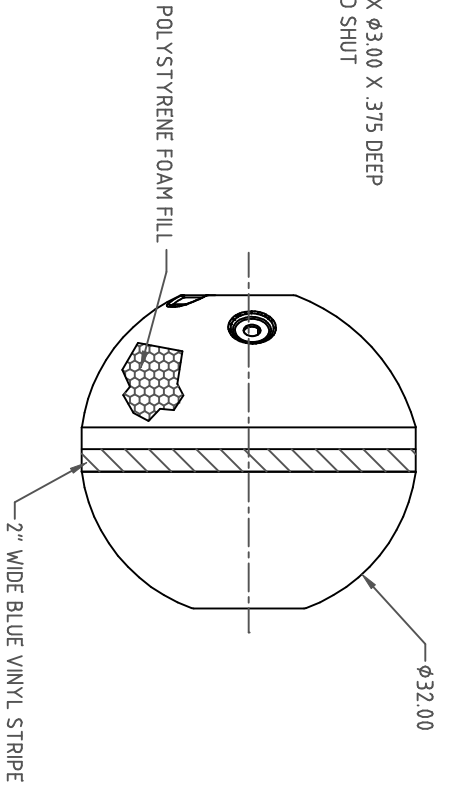
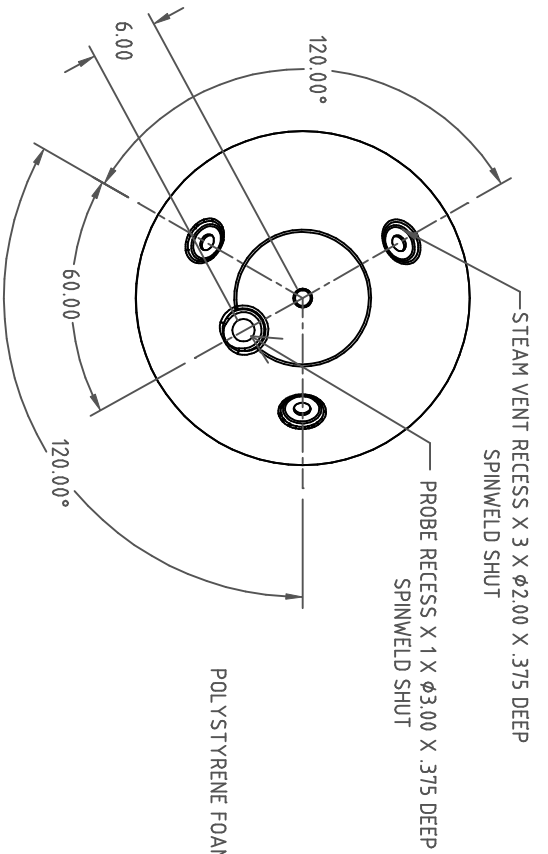


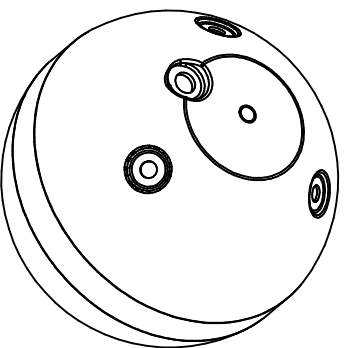
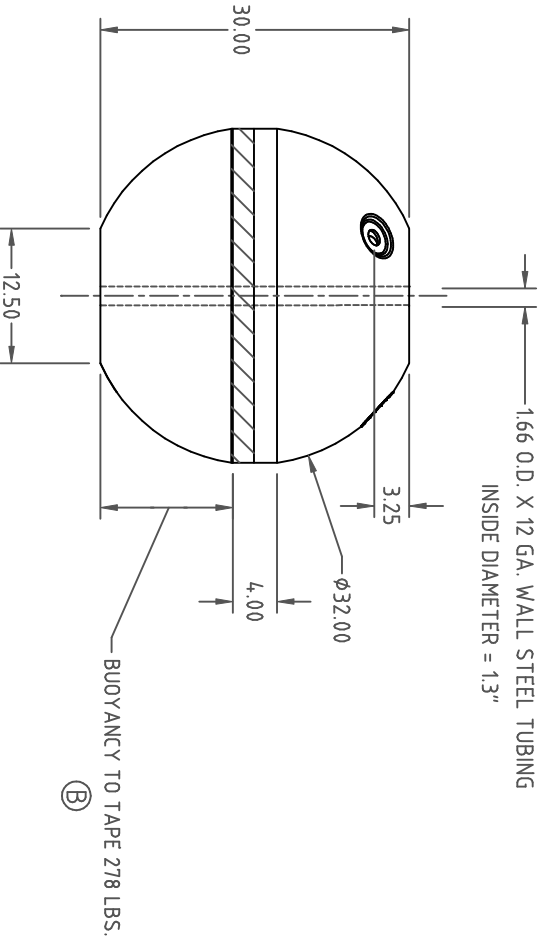


FFMB-3232RND



NOTES:

1. SHIPPING WEIGHT = 411 LB.
2. SHIP IN CARTON 1914.7

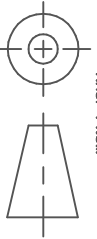


C	CHANGED P.N.	10/27/10 REH	CCN2106	DRAWN / DATE	REH/2/10/03
B	ADDED USEABLE BUOYANCY	3/28/08 DHJ	CCN1638	APPRD / DATE	DHJ/2/10/03
A	SHAFT CUT FLUSH WITH ENDS	5/20/03			
REV	DESCRIPTION	DATE	APPRD		

MATERIAL / SHOT WEIGHT

E/M 8460, WHITE
26 LB.

THIRD ANGLE PROJECTION
ANSI 14.5M



NOTES:

1. NOMINAL WALL .225



Ace Roto-Mold

A DIVISION OF DEN HARTOG INDUSTRIES, INC.
4010 HOSPERS DRIVE SOUTH, BOX 425, HOSPERS, IA 51238

CLIENT / DESCRIPTION

BUOY, 32" DIA.

SCALE

DOES NOT APPLY

PART NO.

FFMB-3232RND

ALL DIMENSIONS ARE IN DECIMAL INCHES
TOLERANCES UNLESS OTHERWISE SPECIFIED
± .5% @ 68° F