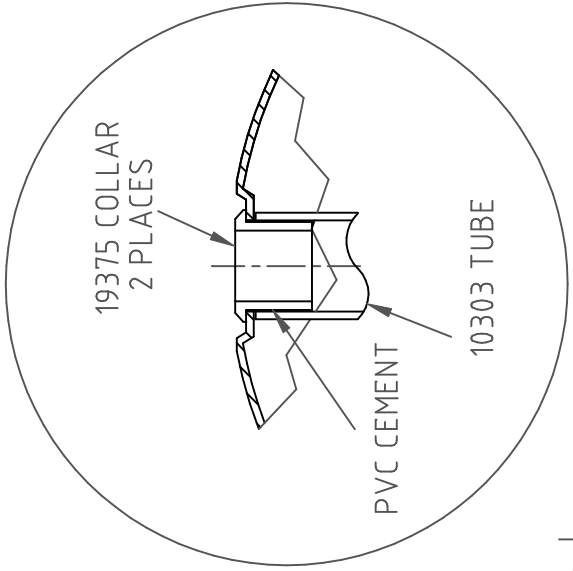
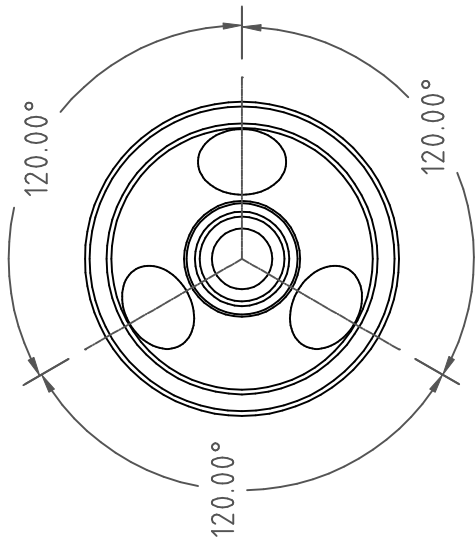


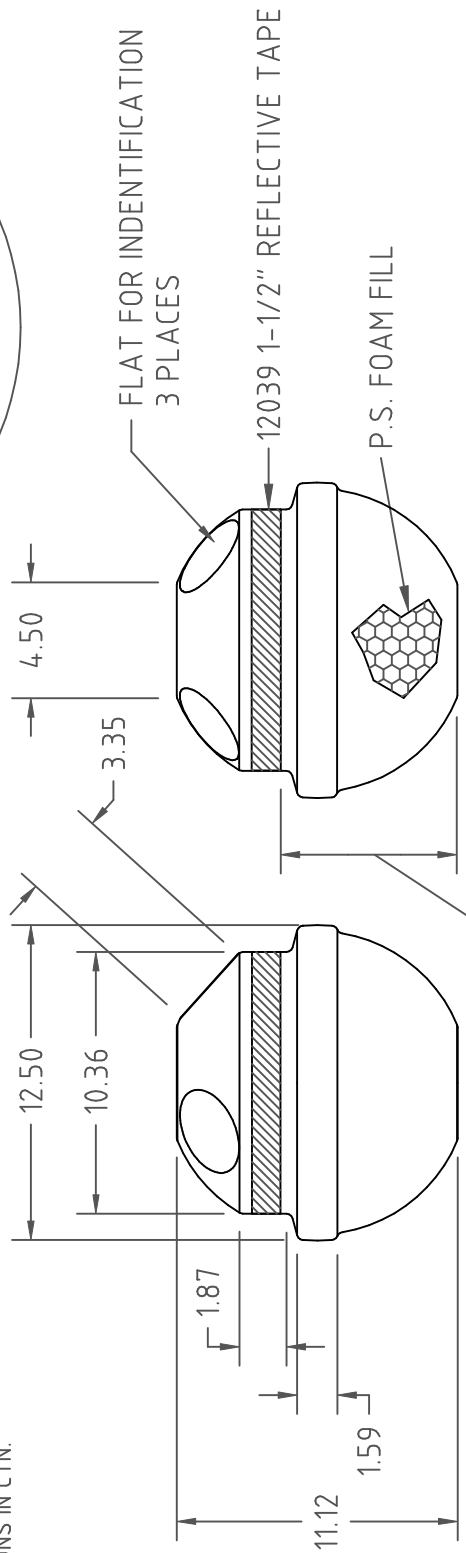
© DEN HARTOG INDUSTRIES, INC.

Copyright. All information furnished within this document, electronic file or design correspondence is the property of Den Hartog Industries, Inc. and shall not be used, disclosed to others or copied without the expressed written consent of Den Hartog Industries, Inc.




NOTES:

1. SHIPPING WEIGHT = 4 LB.
2. SHIP IN CTN. 12051
3. ADD 19396 INSTRUCTIONS IN CTN.



Ⓐ BUOYANCY TO TAPE = 12.5 LBS.

		DRAWN / DATE REH/04/14/05		SHOT WEIGHT: 2.1 LB. (.125 WALL)		 Ace Roto-Mold A DIVISION OF DEN HARTOG INDUSTRIES, INC. 4010 HOSPERS DRIVE S., BOX 425, HOSPERS, IOWA 51238	
A		ADDED USEABLE BUOYANCY 3/28/08 DHJ		APPRD. / DATE DHJ/04/14/05		CLIENT / DESCRIPTION BUOY, 12" DIA.	
REV	DESCRIPTION	DATE	CCN1638	THIRD ANGLE PROJECTION ANSI 14.5M		SCALE	N.S.
ALL DIMENSIONS ARE IN DECIMAL INCHES TOLERANCES UNLESS OTHERWISE SPECIFIED + .5% Ⓞ 68° F				MATERIAL: 10948 WHITE P.E.		PART NO.	FFMB-1212