

TRIDENT-3000

3000mm dia. Ocean Buoy



Also available with complete stainless steel assembly

Sealite have a range of mooring chains & accessories - ask your representative today how we can supply your complete mooring solution

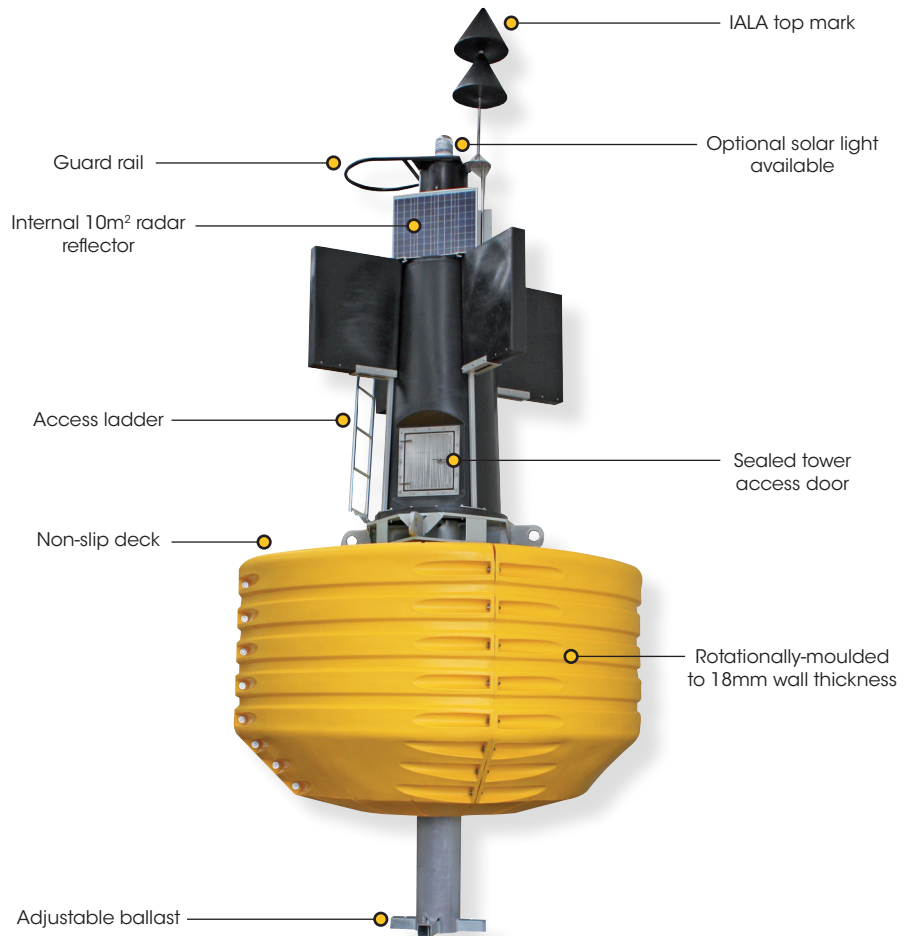
The Sealite Advantage

- High visibility red, green, white or yellow as per IALA recommendations
- 3mtr diameter
- 5mtr focal height
- Robust construction of 4 quadrant hull sections
- Lightweight
- Large battery & payload section
- Excellent buoyancy & stability
- Easy to deploy & service
- No painting, ever
- Cost effective & environmentally friendly
- Convenient forklift access points to safely manoeuvre the buoy assembly



Environmentally Friendly & Recyclable

Sealite buoy products are made from recyclable materials. As a service to customers, individual components and products at the end of their service life may be returned to Sealite for recycling.



The TRIDENT-3000 is one of the largest, rotatorially-moulded buoys available, with a float diameter of 3 meters and lantern focal height of up to 5 meters.

The float section of the TRIDENT-3000 is built from four (4) rotatorially-moulded quadrants, which fasten together to form an incredibly robust 3 meter wide float section standing 1.8 meters tall. Each quadrant is moulded from UV-stabilized, virgin polyethylene, and has an 18mm wall thickness. In addition, each section is filled with closed-cell polyurethane, which prevents the ingress of moisture in the unlikely event of damage.

A galvanised steel or 316-grade stainless steel mooring pole runs through the centre of the assembly, to which the tower section is fastened. Four large lifting eyes aid in buoy mooring and periodic servicing.

The enhanced poly-tower design provides a huge visual area for navaid recognition, and consists of two sealed, rotatorially-moulded tower sections. The lower section incorporates a battery access door and houses batteries, controllers and any ancillary electronic payload. The top section incorporates an internal radar reflector and solar mount facility.

Rotatorially-moulded panelling is fitted to the outside of the tower section to create a large coloured visual area for marking. The replaceable panelling also simplifies cardinal marking and gives operators flexibility in stocking spare components. No part of the structure requires painting at any stage of the product's life span.

An integrated ladder with harness attachment points runs vertically up the tower to the top of the platform.

A large counterweight offers exceptional stability in a variety of exposed regions.

The TRIDENT-3000 can be supplied in all IALA colours.

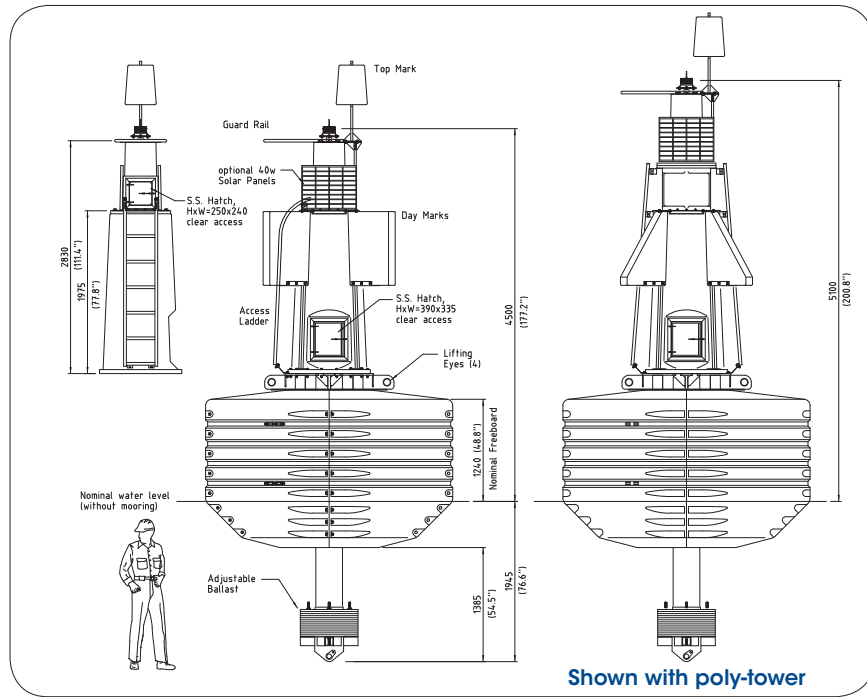


TRIDENT-3000

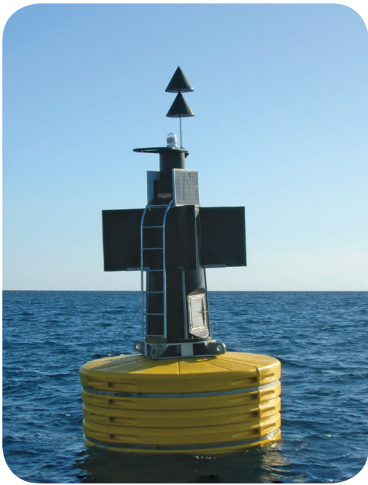
3000mm dia. Ocean Buoy



TRIDENT-3000 installation, Middle East



Shown with poly-tower



TRIDENT-3000 Damman Port, Saudi Arabia

SPECIFICATIONS * *

	TRIDENT-3000 Polyethylene Tower	TRIDENT-3000 Stainless Steel Tower
General Characteristics		
Available Colours	Red, Green, White, Yellow as per IALA Recommendations	Red, Green, White, Yellow as per IALA Recommendations
Focal Plane Height (mm/inches)	5100 / 200 ^{3/4}	5700 / 224 ^{1/2}
Total Float Volume (lts/US gallon)	11000 / 2906	11000 / 2906
Nominal Freeboard (mm/inches)	1240 / 48 ^{3/4}	1270 / 50
Nominal Draft (mm/inches)	1945 / 76 ^{1/2}	1915 / 75 ^{3/8}
Reserve Buoyancy (kgs/lbs)	3170 / 6990	3365 / 7420
Maximum Mooring Load (kgs/lbs)	2750 / 6063	2750 / 6063
Draft, Maximum (mm/inches)	2400 / 94 ^{1/2}	2400 / 94 ^{1/2}
Freeboard, Minimum (mm/inches)	800 / 31 ^{1/2}	800 / 31 ^{1/2}
Safe Working Load, 1pt (kgs/lbs)	6000 / 13228 (one lifting point)	6000 / 13228 (one lifting point)
Safe Working Load, 2pt (kgs/lbs)	8630 / 19025 (two lifting points)	8630 / 19025 (two lifting points)
Submergence (kg/cm, lb/inches)	72 / 403	72 / 403
Visual Area (m ² /ft ²)	7.1 / 76.4 (with daymark) 6.4 / 68.9 (without daymark)	5.7 / 61.3 (without daymark)
Water Area (m ² /ft ²)	2.1 / 22.6	2.1 / 22.6
Physical Characteristics		
Material	Rotationally-moulded UV-stabilized virgin polyethylene float section, tower assembly, top marks and panelling. 316-grade stainless steel fixtures.	Rotationally-moulded UV-stabilized virgin polyethylene float section, top marks and panelling. 316-grade stainless steel tower assembly.
Wall Thickness (mm/inches)	18 / 3/4	18 / 3/4
Ballast (kg/lbs)	765 / 1687 external steel	680 / 1500 external steel
Filling	Closed-cell polyurethane foam (float section)	Closed-cell polyurethane foam (float section)
Height (mm/inches)	7900 / 311	8500 / 334 ^{1/2}
Width (mm/inches)	3000 / 118 ^{1/8}	3000 / 118 ^{1/8}
Mass (kg/lbs)	2580 / 5688 (depending on payload)	2385 / 5258 (depending on payload)
Radar Reflector	Echomax	Echomax
Product Life Expectancy	>20 years	>20 years
Certifications		
Quality Assurance	ISO9001:2008	ISO9001:2008
Intellectual Property		
Trademarks	SEALITE® is a registered trademark of Sealite Pty Ltd 5 years Sealite SL-C310, SL-C410, SL-C420, APOLLO-155 or SL-125 series	SEALITE® is a registered trademark of Sealite Pty Ltd 5 years Sealite SL-C310, SL-C410, SL-C420, APOLLO-155 or SL-125 series
Warranty *		
Lantern Options		
Options Available	<ul style="list-style-type: none"> Mould-in graphics Day marks Rotationally-moulded side-panelling Monitoring Systems (AIS, GSM) Unfilled Float Section 	<ul style="list-style-type: none"> Mould-in graphics Day marks Rotationally-moulded side-panelling Monitoring Systems (AIS, GSM) Unfilled Float Section



* Specifications subject to change or variation without notice
* Subject to standard terms and conditions