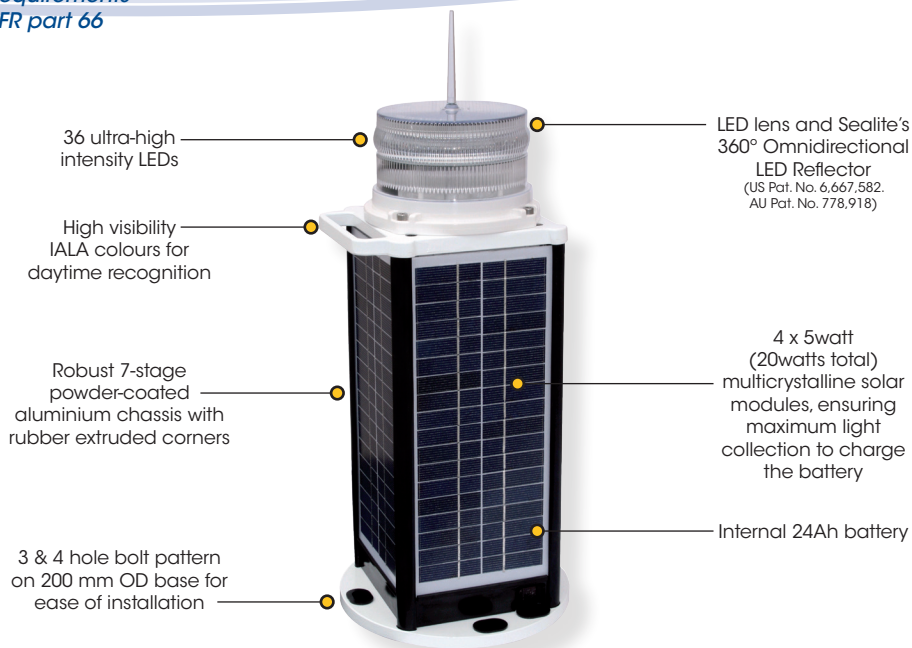
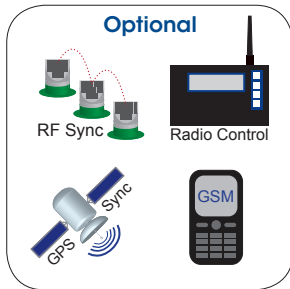


SL-C420

4-5NM+ Solar Marine Lantern

This equipment complies with requirements of the U.S. Coast Guard in 33 CFR part 66



The Sealite Advantage

- Simplicity of design ensures ease of maintenance in the field
- Heavy-duty aluminium construction
- All components are user-replaceable in the unlikely event of damage
- 200mm bolt pattern pattern for immediate installation on existing structures
- User-replaceable battery
- Vertical light emissions to maintain visibility when passing adjacent to light
- IP68 waterproof
- 3 year warranty

The SL-C420 is a robust, completely self-contained 4-5NM+ Solar LED Marine Lantern which incorporates a 36 LED light source for even greater light intensity. The 3 & 4 hole bolt pattern base fits directly onto existing 200mm bolt pattern industry standard mounts for ease of installation.

The chassis of the SL-C420 is made from cast aluminium, subject to 7-stage powder-coating in high visibility IALA colours for daytime recognition, with UV-stabilised rubber corners and gaskets providing a superior IP68 waterproof rating – the best in the industry.

Four (4) premium-grade solar modules are integrated into the assembly and mounted to collect sunlight at all angles.

The unit is capable of producing any of 256 IALA recommended flash characters – field-adjustable without the need for ancillary equipment.

The tough polycarbonate lens is specifically designed for use with LEDs and incorporates an environment-friendly bird spike – deterring unwelcome bird life. The lens design also ensures that vessel operators clearly see the light from above, when passing the AtoN.

Optional RF Synchronisation or GPS Synchronisation

The SL-C420 may be fitted with an optional RF Synchronisation module for short range flash synchronisation. For flash synchronisation of lanterns installed over longer ranges, a GPS module may be fitted.

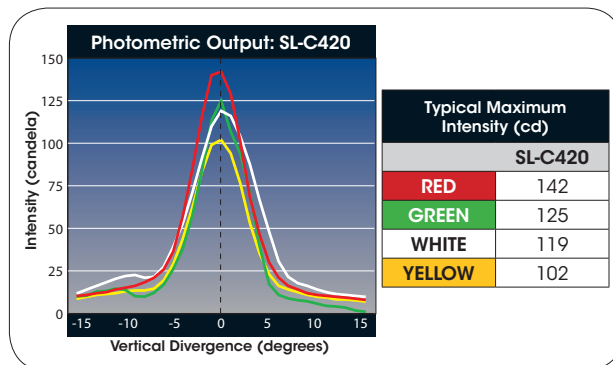
When lanterns flash in synchronisation they can be clearly distinguished from other nav aids and confusing background lighting – ideal for rivers, marina entrances, channel marking and aquaculture.

Optional GSM Monitoring & Control System

The SL-C420 may also be fitted with GSM Cell-Phone Monitoring and Control – enabling users to access real-time diagnostics data and change lantern settings via cell-phone. The system can also be configured to send out alarm SMS text messages to designated cellular telephone numbers. users can also have alarms and reports sent to designated email addresses.

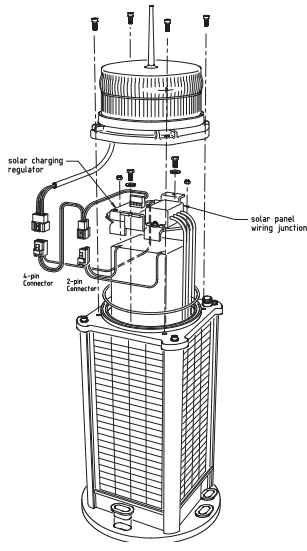
Optional Radio Control System

Radio Control may be fitted to the SL-C420 model enabling users to remotely modify the setup of their lantern via handheld radio controller.

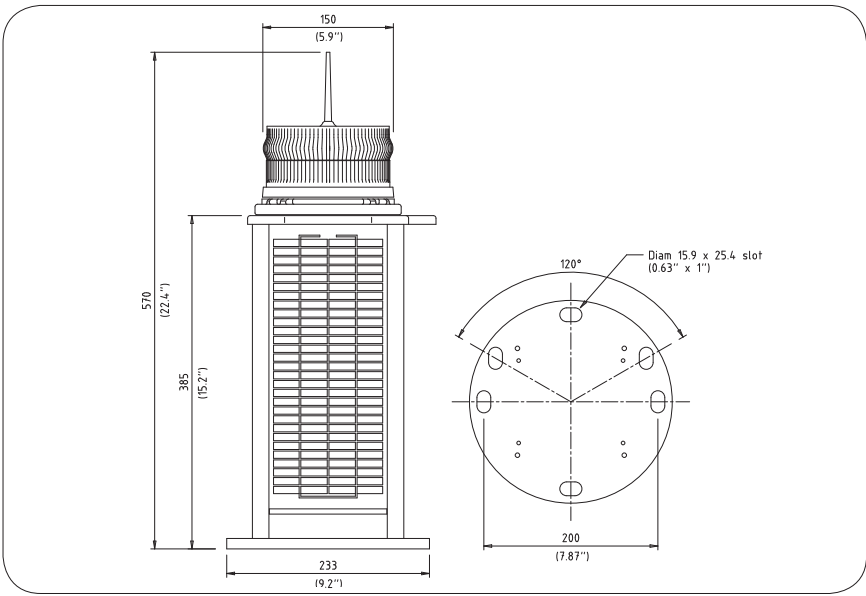


SL-C420

4-5NM+ Solar Marine Lantern



Convenient user-replaceable battery



Cork, Ireland



Queensland, Australia



SL-C420's mounted on SL-B1250 Navigation Buoys, Pasig River, Manila, Philippines

SPECIFICATIONS * SL-C420

<p>Light Characteristics</p> <p>Light Source Available Colours Typical Maximum Intensity (cd)† Visible Range (NM) Horizontal Output (degrees) Vertical Divergence (degrees) Reflector Type</p> <p>Available Flash Characteristics Intensity Adjustments LED Life Expectancy (hours)</p> <p>Electrical Characteristics</p> <p>Current Draw (mA) Circuit Protection Nominal Voltage (V) Autonomy (days) Temperature Range</p> <p>Solar Characteristics</p> <p>Solar Module Type Output (watts) Charging Regulation</p> <p>Power Supply</p> <p>Battery Type Battery Capacity (Ah) Nominal Voltage (V) Battery Service Life</p> <p>Physical Characteristics</p> <p>Body Material</p> <p>Lens Material Lens Diameter (mm/inches) Lens Design Mounting Height (mm/inches) Width (mm/inches) Mass (kg/lbs) Product Life Expectancy</p> <p>Certifications</p> <p>CE Quality Assurance Waterproof</p> <p>Intellectual Property</p> <p>Patents Trademarks</p> <p>Warranty *</p> <p>Options Available</p>	<p>36 ultra-high intensity LEDs Red, Green, White, Yellow, Blue Red - 142 Green - 125 White - 119 Yellow - 102 4-5+ 360 9 Omnidirectional 360° LED Reflector (US Pat. No. 6,667,582. AU Pat. No. 778,918) Up to 256 IALA recommended (user adjustable) Adjustable in 25% increments >100,000</p> <p>Refer to Sealite Power Calculator Integrated 12 >15 (14 hour darkness, 12.5% duty cycle) -40 to 80°C</p> <p>Multicrystalline 20 (4 x 5watt) Microprocessor controlled</p> <p>SLA (Sealed Lead Acid) 24 12 Average 5 years</p> <p>7-stage powder-coated aluminium chassis with UV-stabilised rubber corners and gaskets LEXAN® Polycarbonate - UV-stabilised 150 / 5 7/8 External optics with interior flute design 3 & 4 hole 200mm bolt pattern 570 / 22 2/5 233 / 9 1/5 13.9 / 30 5/8 Up to 12 years</p> <p>EN61000-6-3:1997. EN61000-6-1:1997 ISO9001:2008 IP68</p> <p>US Pat. No. 6,667,582. AU Pat. No. 778,918 SEALITE® is a registered trademark of Sealite Pty Ltd 3 years</p> <ul style="list-style-type: none"> • GPS Synchronisation • RF Synchronisation • GSM Monitoring & Control System • Radio Control System • Note - remote monitoring/control will reduce visible range of lantern due to increased power consumption • 50mm pole mount adapter plate
---	--

• Specifications subject to change or variation without notice
* Subject to standard terms and conditions
† Intensity setting subject to solar availability

