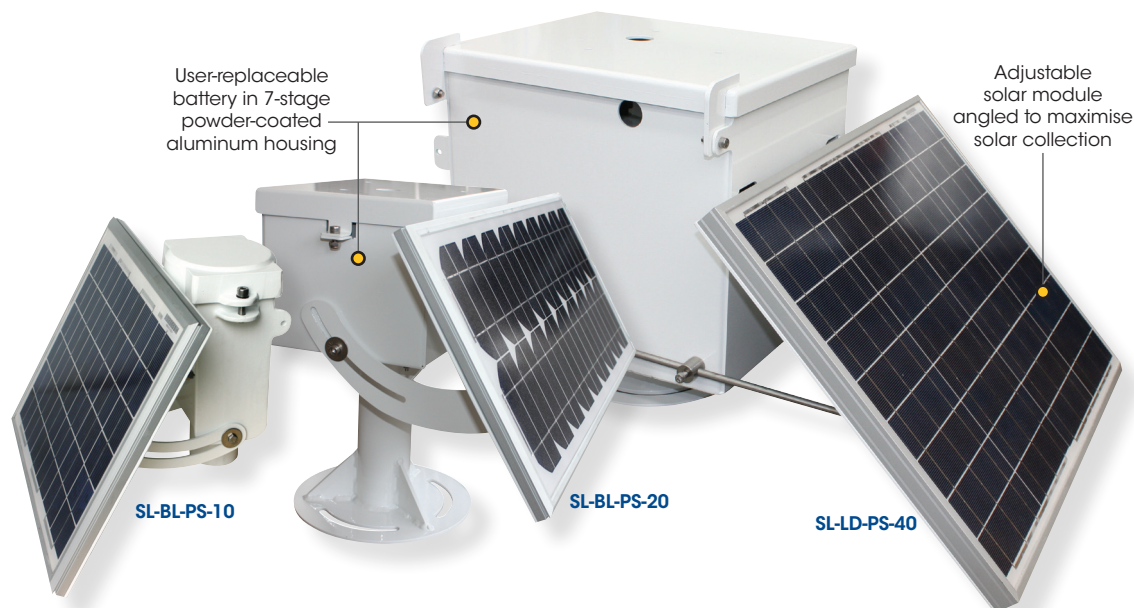


# Bridge Light Power Supplies



## The Sealite Advantage

- Power supplies available in various sizes to suit your application
- Angle of the solar module can be adjusted to maximise solar collection
- Rugged, powder-coated aluminium construction
- Easy to service

Traditional Sealite lantern power supplies are available individually and are suitable for powering up to 12 Sealite sectored bridge light heads.

The solar module has an adjustable mount which can be angled to maximise solar collection. The light head is attached to the power supply using heavy-duty cabling enabling the lights to be mounted in shaded areas while the solar panel can be positioned in full sunlight.

The power supplies come complete with solar module and battery contained in a rugged, powder-coated aluminium housing.

Power supplies are available in various sizes to suit your application:

- 10 watt for powering 1-2 Sealite sectored bridge light heads
- 20 watt for powering 1-6 Sealite sectored bridge light heads
- 40 watt for powering 6-12 sectored bridge light heads

## SPECIFICATIONS \* \*

	SL-BL-PS-10 10watt	SL-BL-PS-20 20watt	SL-LD-PS-40 30watt
<b>Electrical Characteristics</b>			
Nominal Voltage (V)	12	12	12
Temperature Range	-40 to 80°C	-40 to 80°C	-40 to 80°C
<b>Solar Characteristics</b>			
Solar Module Type	Multicrystalline	Multicrystalline	Multicrystalline
Output (watts)	10	20	40
Charging Regulation	Microprocessor controlled	Microprocessor controlled	Microprocessor controlled
<b>Power Supply</b>			
Battery Type	SLA (Sealed Lead Acid)	SLA (Sealed Lead Acid)	SLA (Sealed Lead Acid)
Battery Capacity (Ah)	7.5	26	55
Nominal Voltage (V)	12	12	12
Battery Service Life	Average 5 years	Average 5 years	Average 5 years
<b>Physical Characteristics</b>			
Body Material	7-stage powder-coated aluminium	7-stage powder-coated aluminium	7-stage powder-coated aluminium
Mounting	50mm OD pipe mount	20mm OD base pattern	50mm OD pipe mount
Height (mm/inches)	288 / 11 <sup>3</sup> / <sub>8</sub>	460 / 18 <sup>1</sup> / <sub>8</sub>	515 / 20 <sup>1</sup> / <sub>4</sub>
Width (mm/inches)	370 / 14 <sup>1</sup> / <sub>2</sub>	656 / 25 <sup>3</sup> / <sub>4</sub>	665 / 26 <sup>1</sup> / <sub>4</sub>
Mass (kg/lbs)	6.8 / 15	29.5 / 65	44 / 97
Product Life Expectancy	Up to 12 years	Up to 12 years	Up to 12 years
<b>Certifications</b>			
Quality Assurance	ISO9001:2008	ISO9001:2008	ISO9001:2008
Waterproof	IP66 battery compartment	IP66 battery compartment	IP66 battery compartment
<b>Intellectual Property</b>			
Trademarks	SEALITE® is a registered trademark of Sealite Pty Ltd	SEALITE® is a registered trademark of Sealite Pty Ltd	SEALITE® is a registered trademark of Sealite Pty Ltd
<b>Warranty * *</b>	3 years	3 years	3 years
<b>Options Available</b>		• 40watt solar module (BL-PS-40)	

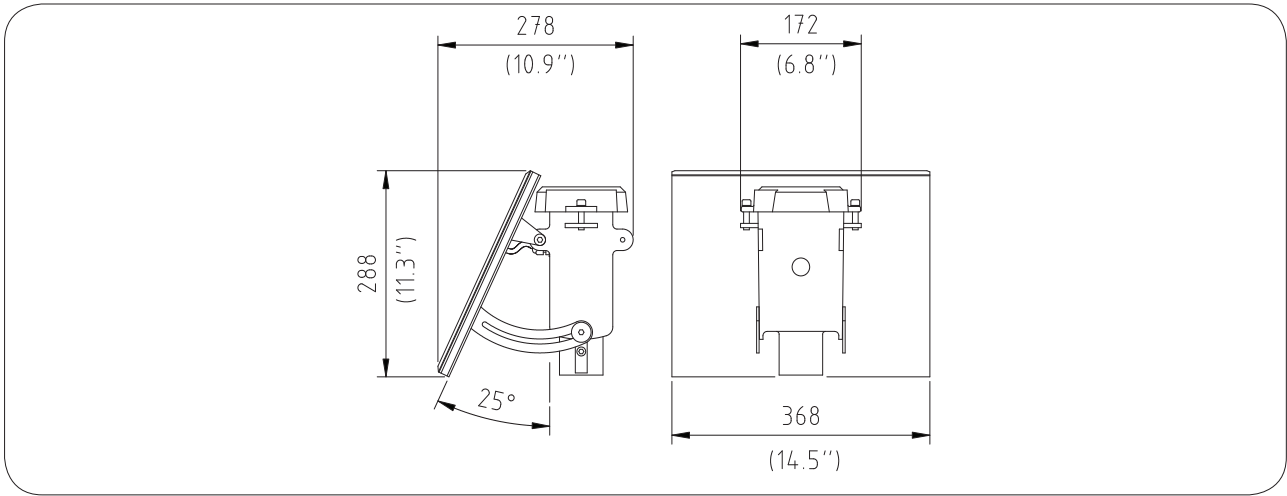


\* Specifications subject to change or variation without notice  
\* Subject to standard terms and conditions

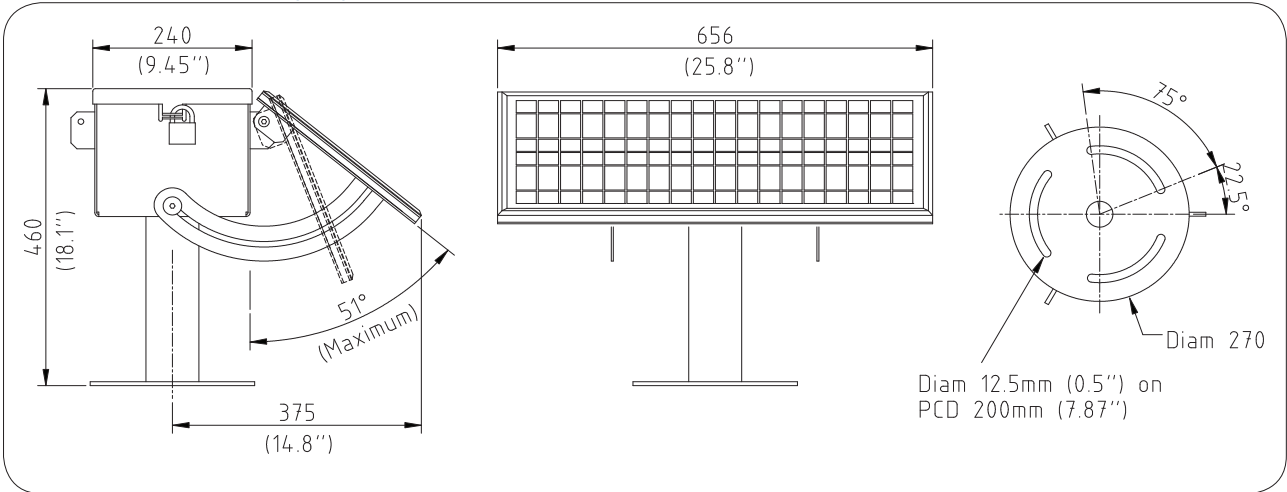


# Bridge Light Power Supplies

**SL-BL-PS-10 10watt bridge light power supply**



**SL-BL-PS-20 20watt bridge light power supply**



**SL-LD-PS-40 40watt bridge light power supply**

