

# 1-2NM+ Solar Marine Lantern

SL-15



The equipment complies with requirements of the U.S Coast Guard in 33 CFR part 66 for private aid to navigation and 33 CFR part 88.15 for lights on dredge pipelines

The Sealite SL-15 1-2NM+ compact LED light is exceptional value and incorporates some of the most advanced technology available. In the tradition of Sealite lanterns, the SL-15 is designed to be maintenance-free and have a service life of over 5 years.

The SL-15 can be installed in minutes and requires no operator intervention. The SL-15 has a rotary switch to allow users to change the flash character of the light without the need for special tools or programmers.

During daylight hours the solar module will charge the battery, and the lantern will automatically begin operation at dusk – once the ambient light threshold drops sufficiently.

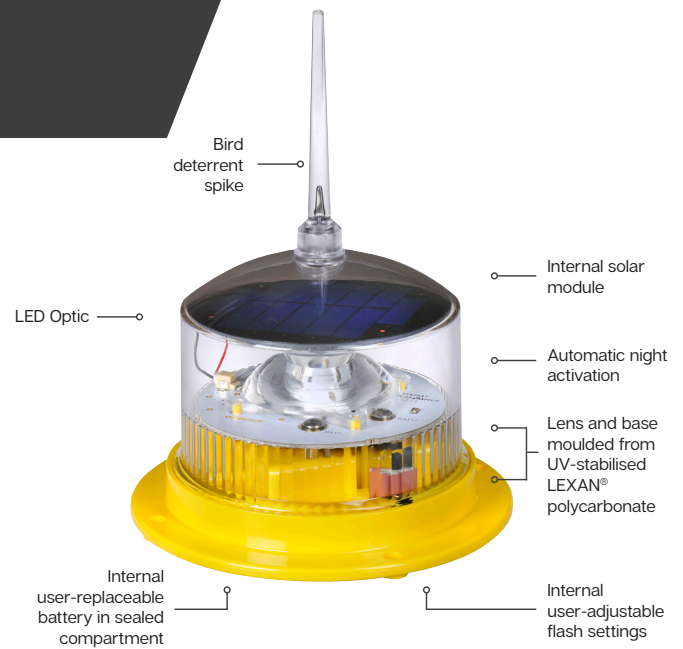
The SL-15 features Sealite's Single LED Optic which boasts exceptional power to light output efficiency. The tough outer polycarbonate lens incorporates an environment-friendly spike – deterring unwelcome bird life.

The internally housed battery is user-replaceable after years of reliable service.

The unit is sealed using advanced UV-sealing, enabling a rugged and complete waterproof seal capable of prolonged and deep immersion (IP68).

## Optional ON/OFF Switch

The SL-15 is also available with an optional ON/OFF switch for temporary installations such as worksites.



## User Advantage

- User-adjustable flash characters
- User-replaceable battery in sealed battery compartment
- Installs in minutes & operates maintenance-free for up to five years

## Reliable

- Completely sealed & self-contained using advanced UV-sealing
- IP68 waterproof
- NiMH battery for long service life & wide temperature range

## Cost Effective

- Solar Powered

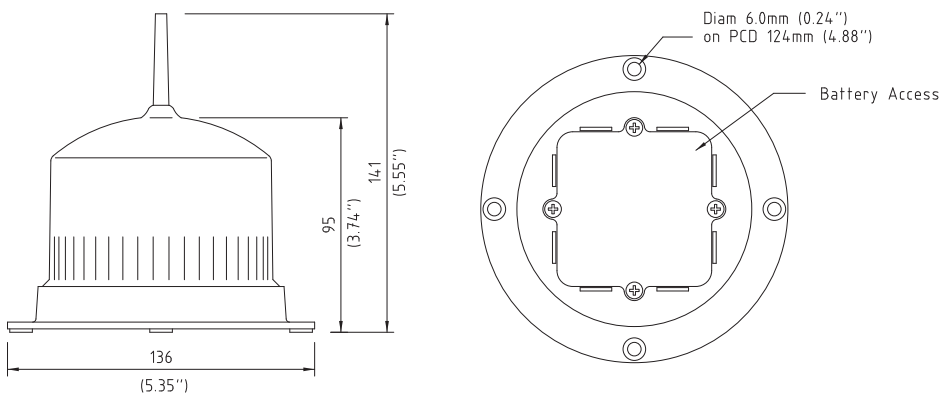
## Optional

- Optional ON/OFF switch for temporary installations

## Technical Specifications \*

SL-15	
<b>Light Characteristics</b>	
Light Source	LED
Available Colours	Red, Green, White, Yellow, Blue
Typical Maximum Intensity (cd)*	Red - 6.2 Green - 7.6 White - 6.8 Yellow - 5.9
Visible Range (NM)	AT @ 0.74: 1-2+ AT @ 0.85: 1.1-2.3+
Horizontal Output (degrees)	360
Vertical Divergence (degrees)	7
Reflector Type	Single LED Optic
Available Flash Characteristics	16 user-adjustable IALA flash characteristics (other flash patterns available on request)
Intensity Adjustments	32 automatic step-down settings based on power demand of flash code selection
LED Life Expectancy (hours)	>100,000
<b>Electrical Characteristics</b>	
Current Draw (mA)	Refer to Sealite Power Calculator
Circuit Protection	Integrated
Nominal Voltage (V)	3.6
Autonomy (days)	>50 (14 hour darkness, 12.5% duty cycle)
Temperature Range	-40 to 80°C
<b>Solar Characteristics</b>	
Solar Module Type	Monocrystalline
Output (watts)	0.75
<b>Power Supply</b>	
Battery Type	High grade NiMH
Battery Capacity (Ah)	2.4
Nominal Voltage (V)	3.6
<b>Physical Characteristics</b>	
Body Material	LEXAN® Polycarbonate – UV-stabilised
Lens Material	LEXAN® Polycarbonate – UV-stabilised
Lens Diameter (mm/inches)	98 / 3 <sup>7</sup> / <sub>8</sub>
Lens Design	Single LED Optic
Mounting	4 x 6mm mounting holes
Height (mm/inches)	141 / 5 <sup>1</sup> / <sub>2</sub>
Width (mm/inches)	136 / 5 <sup>3</sup> / <sub>8</sub>
Mass (kg/lbs)	0.5 / 1 <sup>1</sup> / <sub>8</sub>
Product Life Expectancy	Up to 12 years ^
<b>Certifications</b>	
CE	EN61000-6-1:2007. EN61000-6-3:2007
IALA	Signal colours compliant to IALA E-200-1
Quality Assurance	ISO 9001:2015
Waterproof	IP68
<b>Intellectual Property</b>	
Patents	US Pat. No. 6,667,582. AU Pat. No. 778,918
Trademarks	SEALITE® is a registered trademark of Sealite Pty Ltd
Warranty *	3 years
Options Available	<ul style="list-style-type: none"> <li>• ON/OFF switch</li> <li>• Custom flash patterns</li> <li>• 50mm pole mount adapter plate</li> <li>• IR Remote Programmer</li> </ul>

## Technical Illustrations



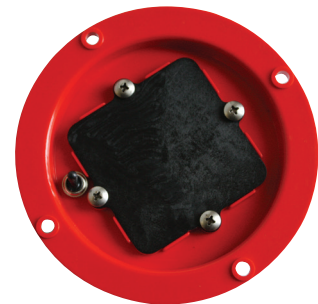
## User-Adjustable IALA Flash Characteristics

FLASH SETTING CODE	Flash Sequence (on, off, on...)
0	STEADY LIGHT (intensity reduced)
1	0.5, 1.0
2	0.5, 3.5
3	1.0, 3.0
4	0.5, 5.5
5	0.3, 0.7
6	0.3, 0.7, 0.3, 0.7, 0.3, 0.7, 0.3, 15.7
7	0.3, 1.7
8	0.3, 2.2
9	0.5, 2.0
A	0.3, 2.7
B	0.5, 2.5
C	0.7, 2.3
D	0.5, 4.5
E	1.0, 4.0
F	Custom Setting

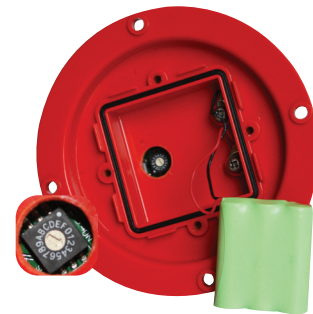
Other flash patterns are available on request



User-replaceable battery



SL-15 with optional ON/OFF switch



Flash characteristic is selected via internal rotary switch located in the battery compartment

We believe technology improves navigation™