

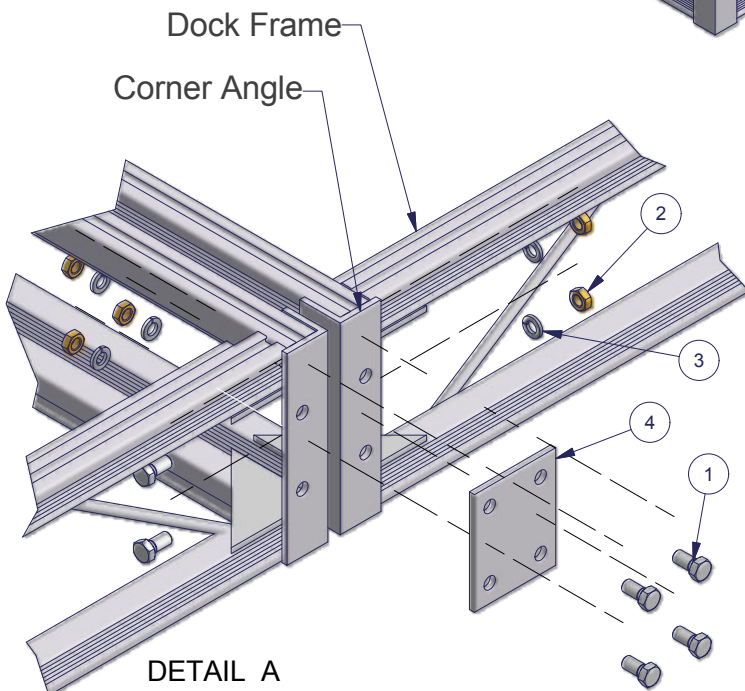
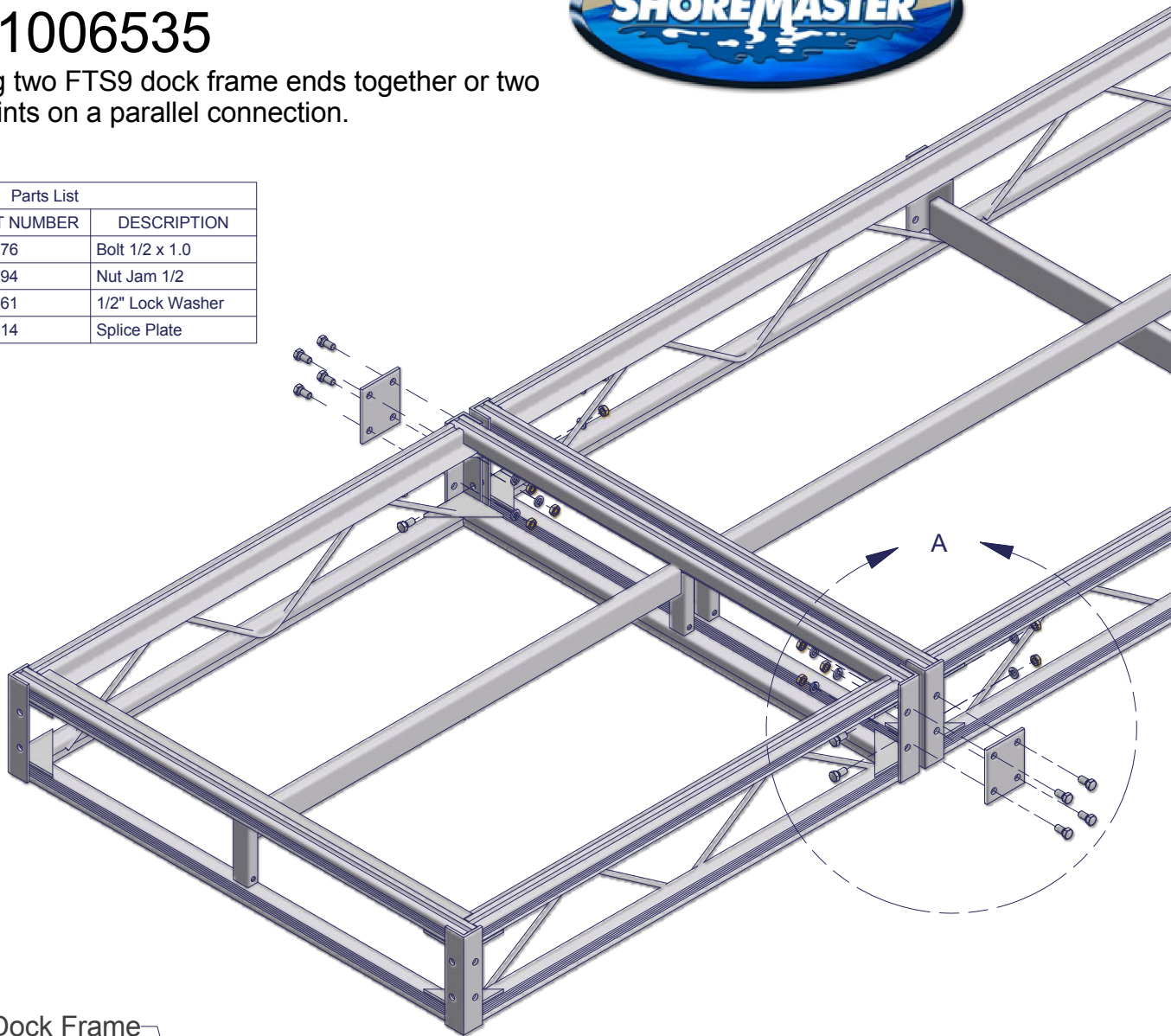
FTS9 Frame Connection Kit

Part #: 1006535



For Connecting two FTS9 dock frame ends together or two connection points on a parallel connection.

Parts List			
ITEM	QTY	PART NUMBER	DESCRIPTION
1	12	1002376	Bolt 1/2 x 1.0
2	12	1001794	Nut Jam 1/2
3	12	1002561	1/2" Lock Washer
4	2	1002914	Splice Plate



Assembly:

Attach two dock frames together by thru-bolting the adjacent angles with two Bolts 1/2 x 1.0, two Lock Washers 1/2 and Nuts Jam 1/2.

Secure one Splice Plate to the side of the Corner Angle of the two dock frames with four Bolts 1/2 x 1.0, four Lock Washers 1/2 and four Nuts Jam 1/2 at each connection point - as shown in Detail "A."

Parallel Frame Connections:

4 x 8 and 6 x 8 frames to have three connection points total.
4 x 16 frames have five connection points total - minimum of four must be connected.

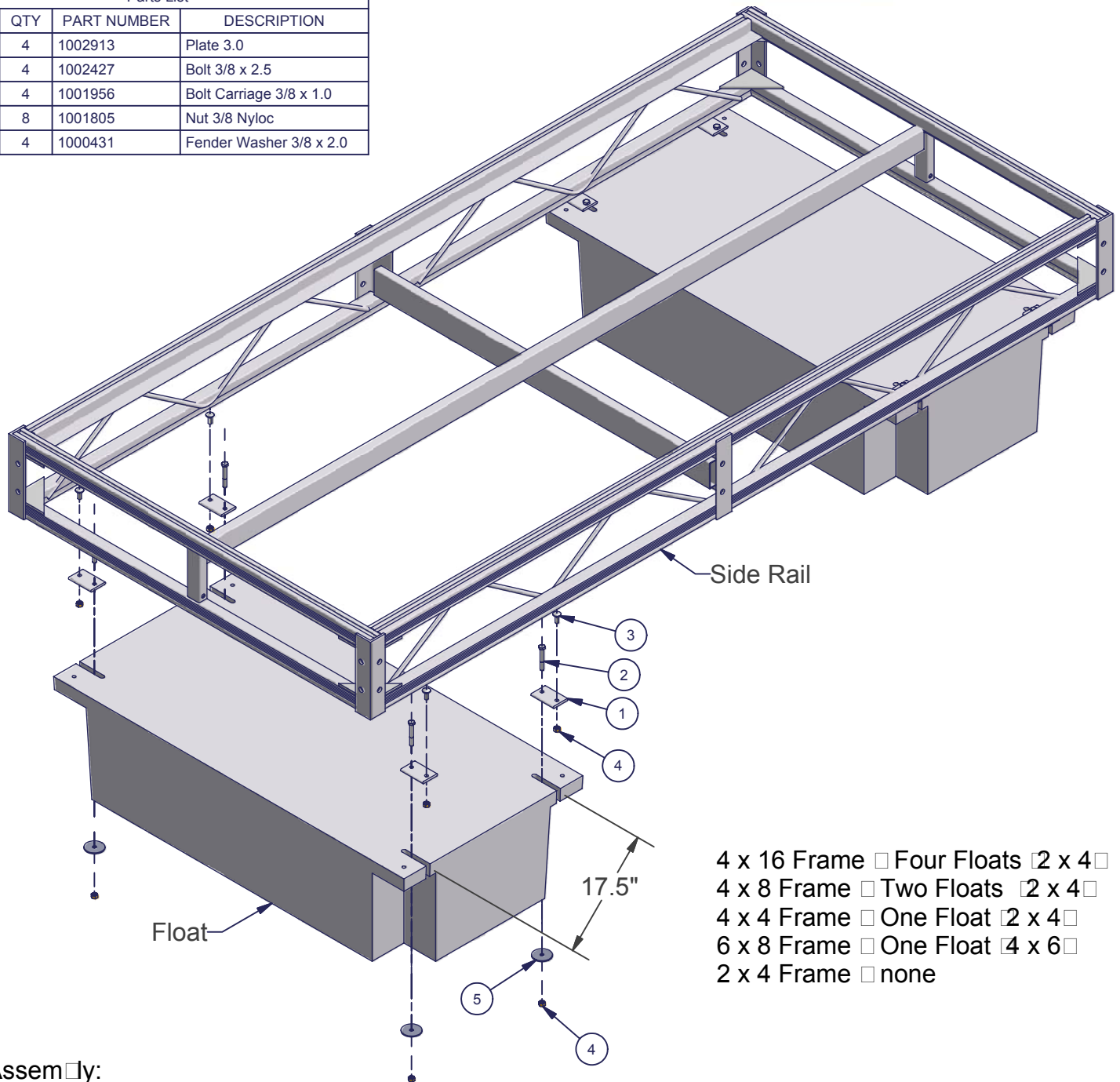
FTS9 Float Connection Bolt Bag

Part #: 1006579



Connects one float to an FTS9 Frame.

Parts List			
ITEM	QTY	PART NUMBER	DESCRIPTION
1	4	1002913	Plate 3.0
2	4	1002427	Bolt 3/8 x 2.5
3	4	1001956	Bolt Carriage 3/8 x 1.0
4	8	1001805	Nut 3/8 Nyloc
5	4	1000431	Fender Washer 3/8 x 2.0



- 4 x 16 Frame □ Four Floats □ 2 x 4 □
- 4 x 8 Frame □ Two Floats □ 2 x 4 □
- 4 x 4 Frame □ One Float □ 2 x 4 □
- 6 x 8 Frame □ One Float □ 4 x 6 □
- 2 x 4 Frame □ none

Assembly:

Attach two Plates 3.0 to each Side Rail with one Bolt Carriage 3/8 x 1.0 and one Nut 3/8 Nyloc at each place - as shown.

Note: The attachment slots on the floats are 17.5" on-center. Be sure the Plates 3.0 are the same distance in from the end of the dock frame on each Side Rail and that they are spaced 17.5" on-center.

Attach the Float to each of the four Plates 3.0 with one Bolt 3/8 x 2.5 □ one Fender Washer and one Nut 3/8 Nyloc - as shown.

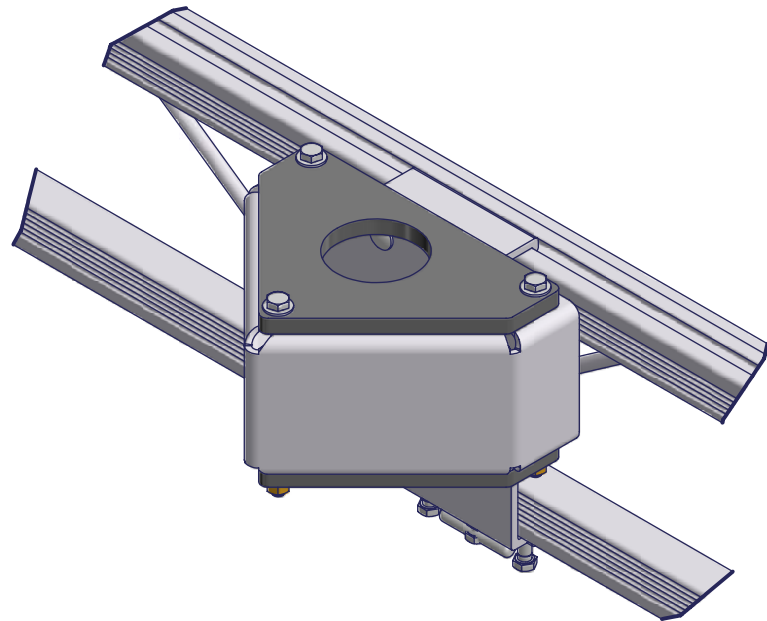
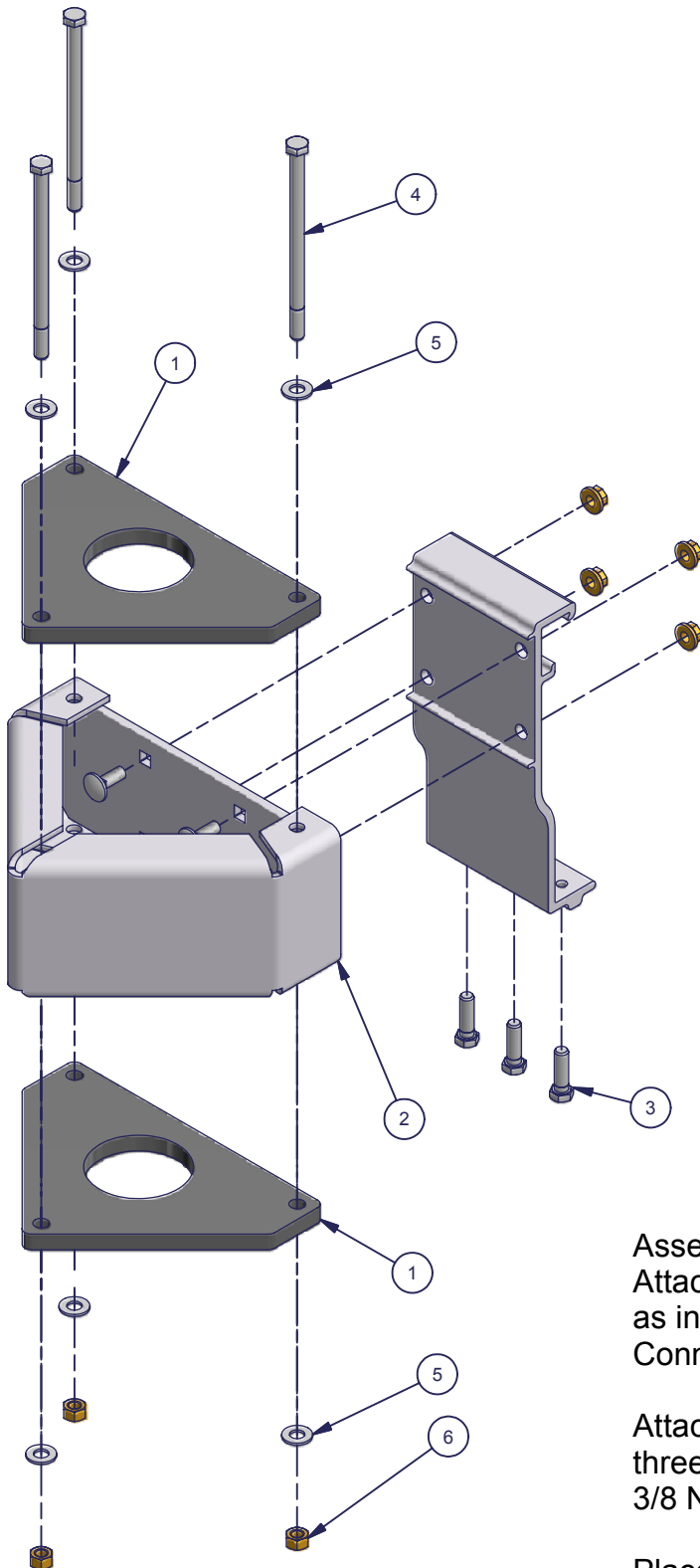
Part #: 1000524

Bolt Bag - QC Pipe Bracket

□ Part #: 1006675 - QC Pipe □ uide
FTS9 - Complete □



1006675 - QC Pipe □ uide - FTS9			
ITEM	QTY	PART NUMBER	DESCRIPTION
1	2	1000943	Wear Plate
2	1	1003815	QC Pipe Bracket
-	1	1000524	Bolt Bag
3	3	1002422	Bolt 3/8 x 1.25
4	3	1002446	Bolt 3/8 x 6.0
5	6	1002599	Washer Flat 3/8
6	3	1001805	Nut Nyloc 3/8



Assem□ly:

Attach the QC Bracket □sold separately□ to the Pipe Bracket as instructed in the TS9 Quick-Connect Accessory Connector Instructions.

Attach two Wear Plates to the Pipe Bracket. Secure with three Bolts 3/8 x 6.0 □ six Washers Flat 3/8 and three Nuts 3/8 Nyloc - as shown.

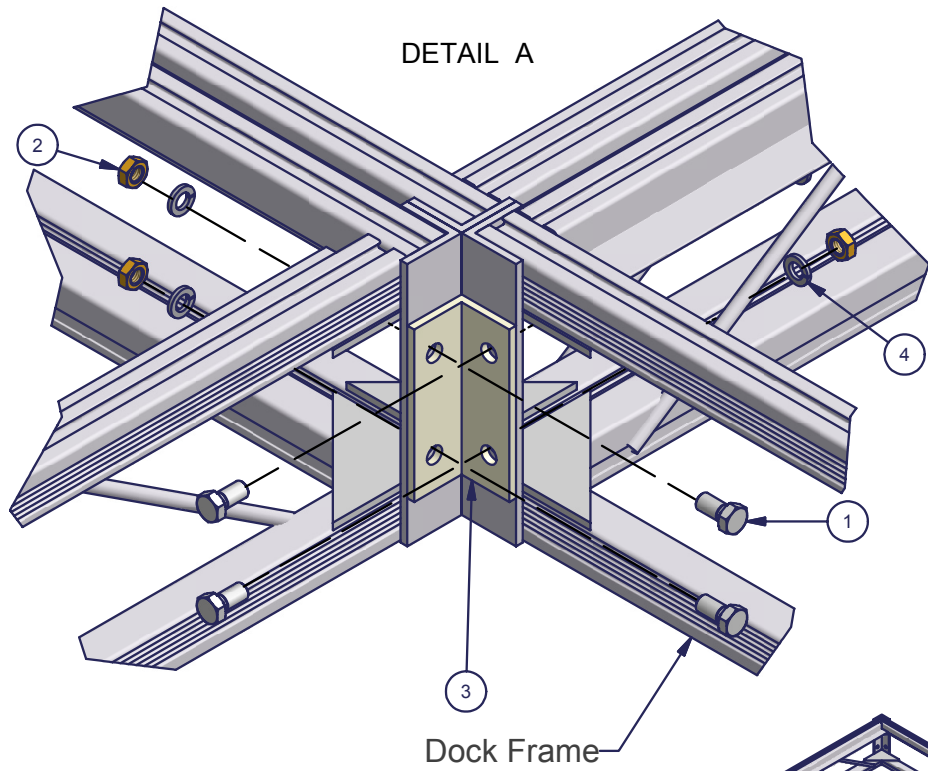
Place the QC Pipe Bracket on the FTS9 Frame as instructed in the TS9 Quick-Connect Accessory Connector Instructions. Secure with three Bolts 3/8 x 1.25 - as shown.

Part # 1004458 FTS9 Tri-State Connector Kit



For connecting three dock section together where the corners meet.

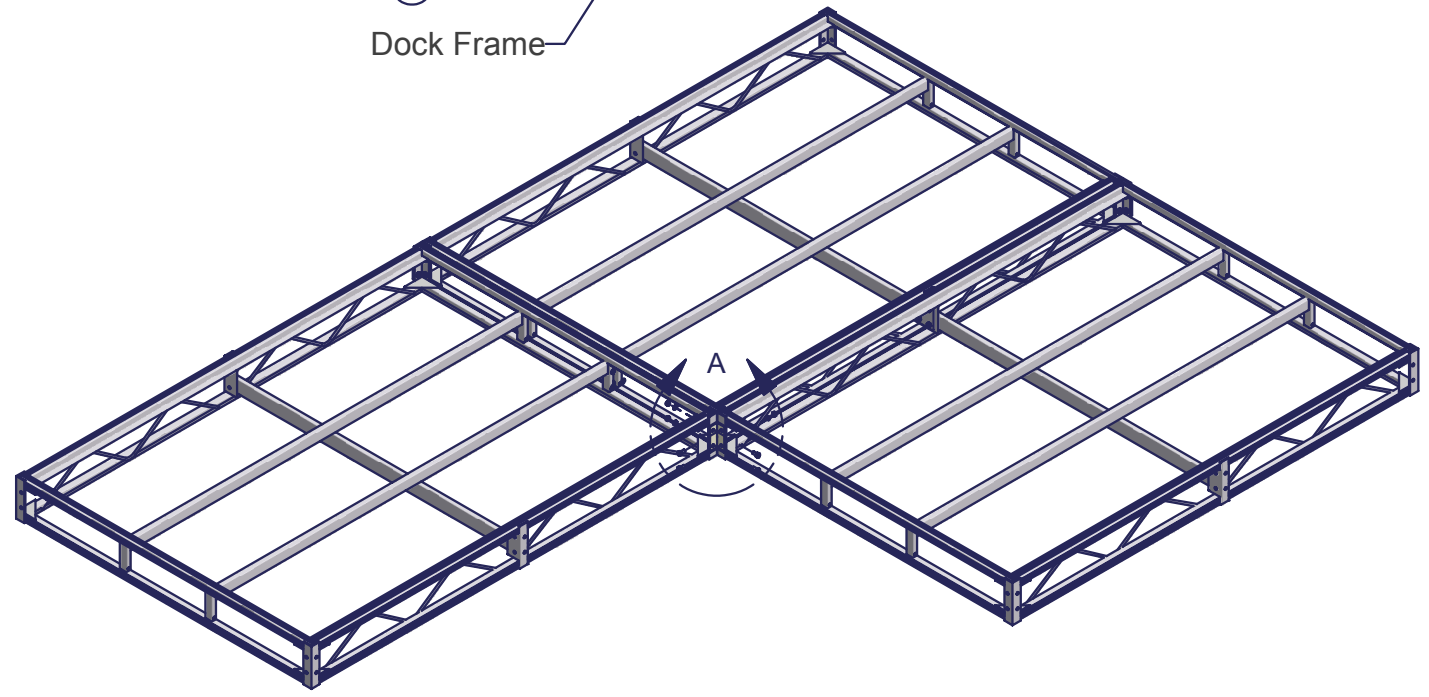
Parts List			
ITEM	QTY	PART NUMBER	DESCRIPTION
1	2	1002376	Bolt 1/2 x 1.0
2	2	1001794	Nut Jam 1/2
3	1	1002802	Connector Angle 5.5
4	2	1002561	Washer Lock 1/2" SS 304



Assembly:
Connect the three Dock Frames together with two Bolts 1/2 x 1.0 and two Nuts Jam 1/2 at each connection.

Attach the Angle 5.5 to the Corner Angles of two docks with four 1/2 x 1.0 bolts, four lock washers and four 1/2" jam nuts - as shown in Detail "A."

Note: The Dock Frame Connection Kit hardware will be used to connect the three Dock Frames together and the Angle 5.5. Two bolts and two nuts are included two complete the connection.



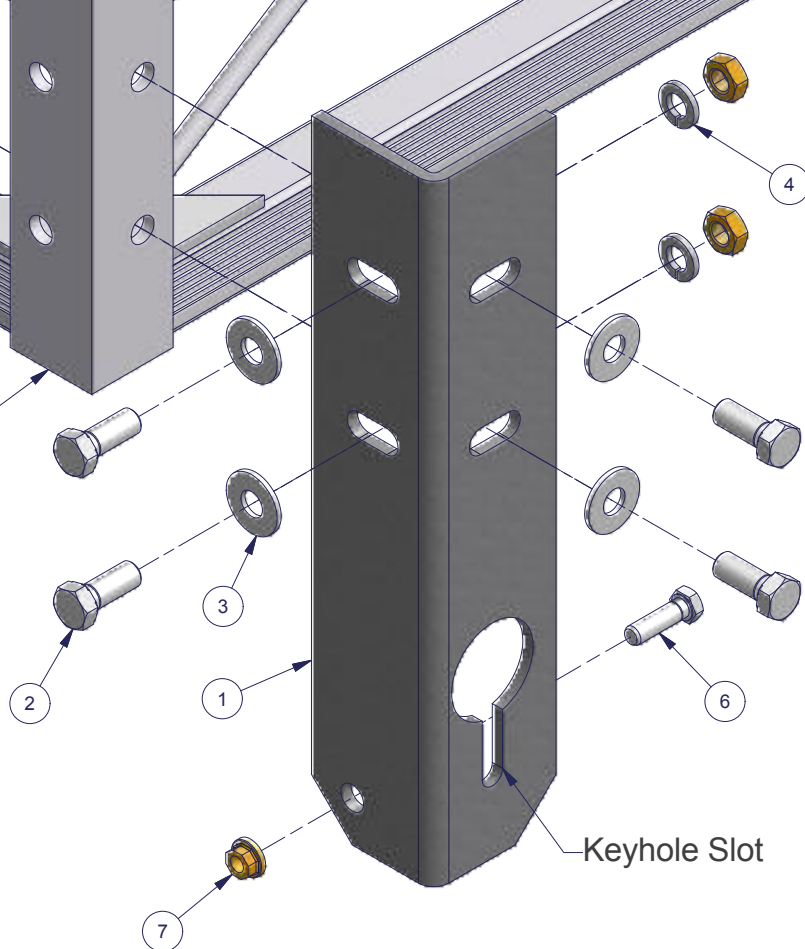


FTS9 Chain Anchor Kit

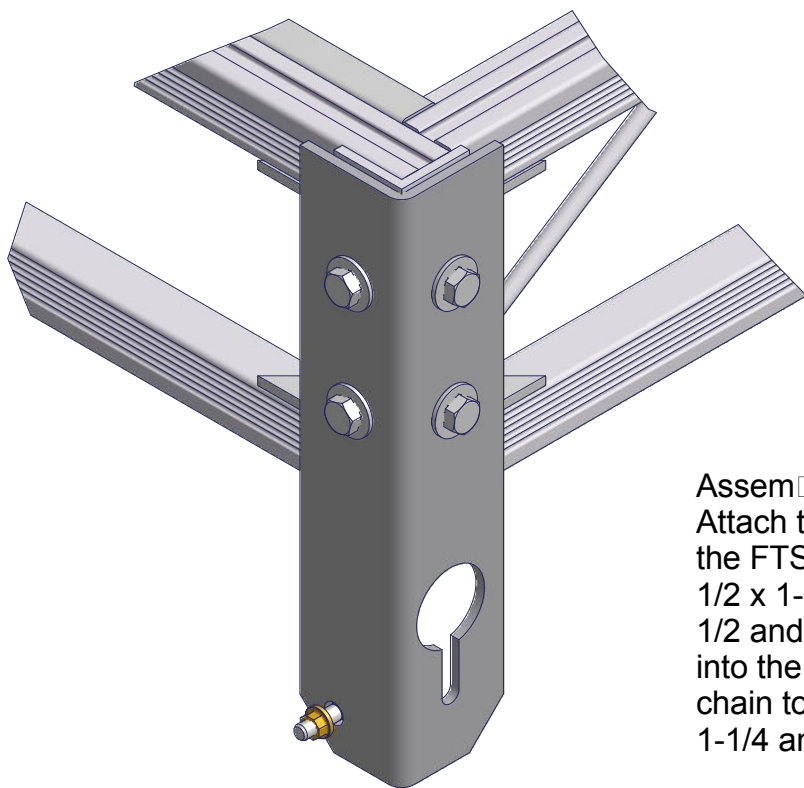
Part #: 1006578

Part List			
ITEM	QTY	PART NUMBER	DESCRIPTION
1	1	1001106	Chain Anchor Angle
2	4	1002378	Bolt Hex 1/2 x 1-1/4
3	4	1002565	Washer Flat 1/2
4	4	1002561	Washer Lock 1/2"
5	4	1001794	Nut Jam 1/2
6	1	1002422	Bolt 3/8 □ 1-1/4
7	1	1001802	Nut 3/8 Flange

Corner Angle



Keyhole Slot



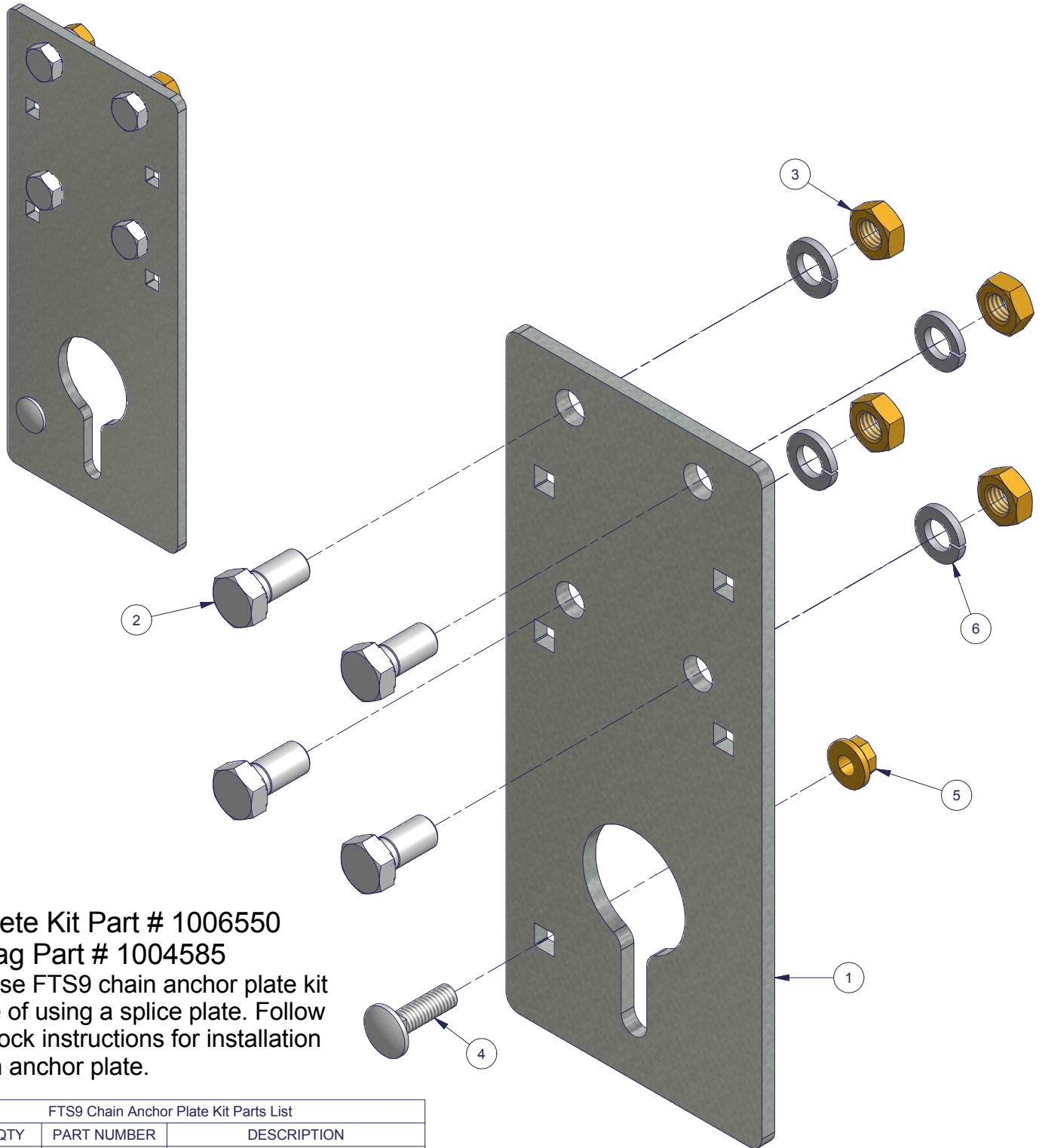
Assembly:

Attach the Chain Anchor Angle to the Corner Angle of the FTS9 frame where desired. Secure with four Bolts 1/2 x 1-1/4 □ four Washers Flat 1/2 □ four Lock Washers 1/2 and four Nuts Jam 1/2 - as shown. Slide the chain into the Keyhole slot at desired scope. Attach the slack chain to the Chain Anchor Angle with one Bolt 3/8 x 1-1/4 and one Nut 3/8 Flange.

Note: Keyhole slot accepts □oth 5/16" and 3/8" chain.

Part # 1006550

FTS9 Chain Anchor Plate Kit



Complete Kit Part # 1006550

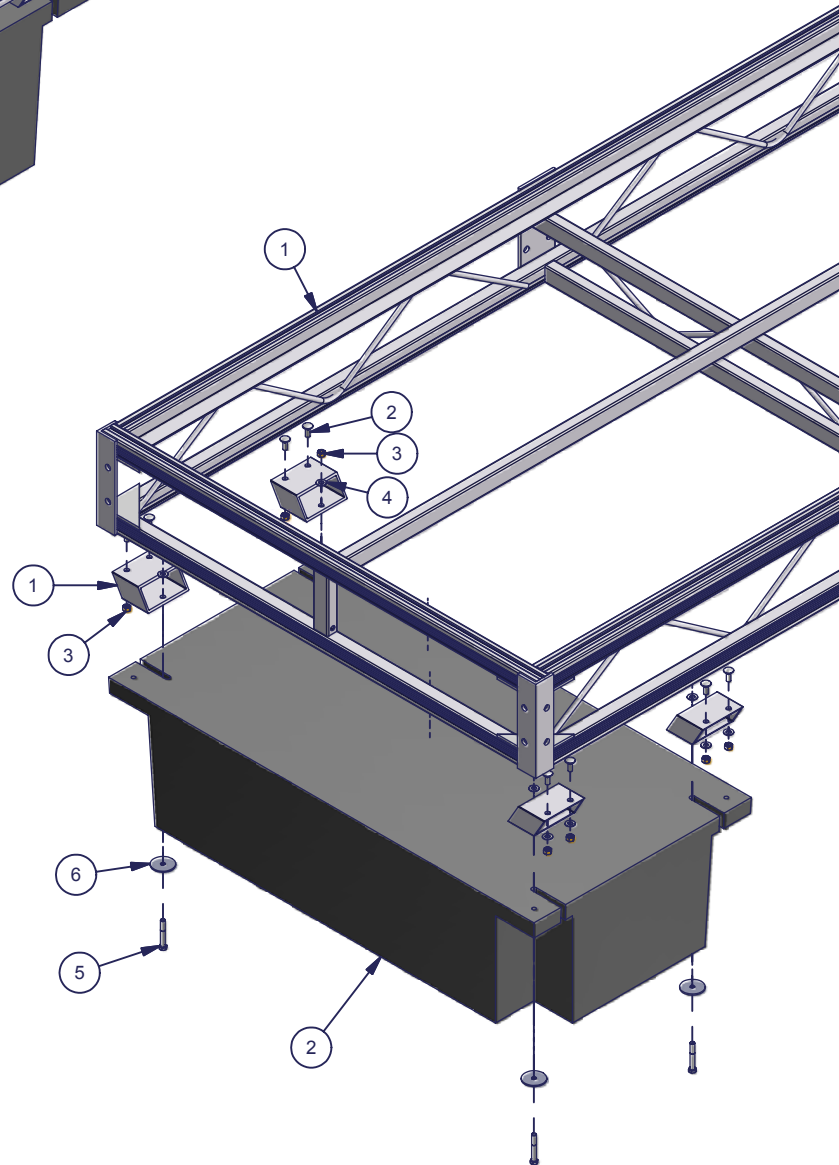
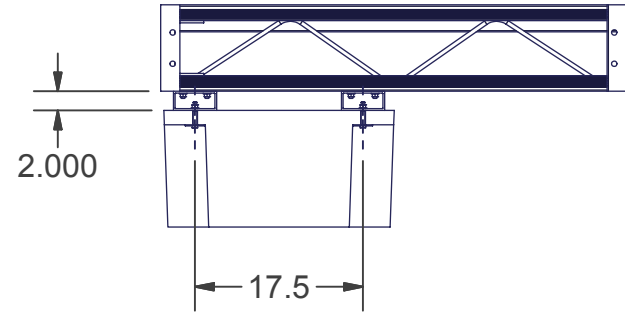
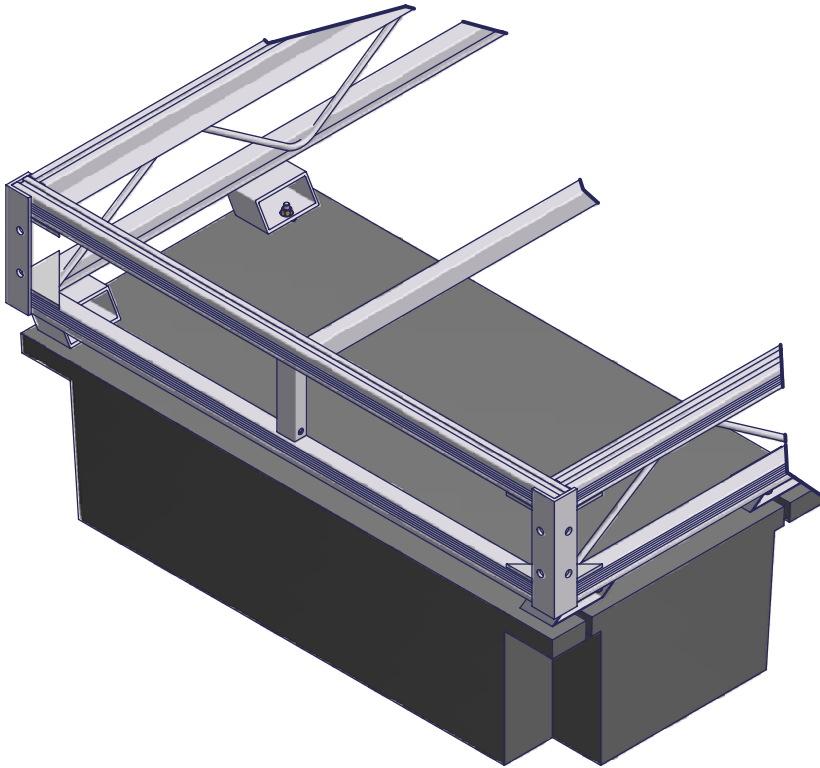
Bolt Bag Part # 1004585

Note: Use FTS9 chain anchor plate kit in place of using a splice plate. Follow FTS9 dock instructions for installation of chain anchor plate.

FTS9 Chain Anchor Plate Kit Parts List			
ITEM	QTY	PART NUMBER	DESCRIPTION
1	1	1001126	FTS9 / Poly Dock Chain Anchor Plate
--	1	1004585	Bolt Bag FTS9 Chain Anchor Plate Kit
2	4	1002376	Bolt Hex 1/2-13 x 1.0 SS 304
3	4	1001794	Nut Jam 1/2-13 Brass
4	1	1001958	Bolt Carriage 3/8-16 x 1.25 SS 304
5	1	1001802	Nut Flange 3/8-16 Brass
6	4	1002561	Washer Lock 1/2" SS 304

Part # 1004505

FTS9 Float Spacer Kit



Step 1: Attach Float Clip Tube to dock frame using two Bolts Carriage 3/8 x 1.0, two Washers 3/8 and two Nuts Nyloc 3/8. Space Float Clip Tubes 17.5" apart so they will line up with slots in float.

Step 2: Attach float to Float Clip Tubes using four Bolts 3/8 x 2.5, four Washers Fender 3/8, four Washers Flat 3/8 and four Nuts Nyloc 3/8.

FTS9 Float Spacer Kit Parts List P/N: 1004505			
ITEM	QTY	PART NUMBER	DESCRIPTION
-	1	1004505	FTS9 Float Spacer Kit
1	4	1004830	Float Clip Tube
2	8	1001956	Bolt Carriage 3/8 x 1.0
3	12	1001805	Nut Nyloc 3/8
4	12	1002599	Washer Flat 3/8
5	4	1002427	Bolt Hex 3/8 x 2.5
6	4	1000431	Washer Fender 3/8 x 2.0