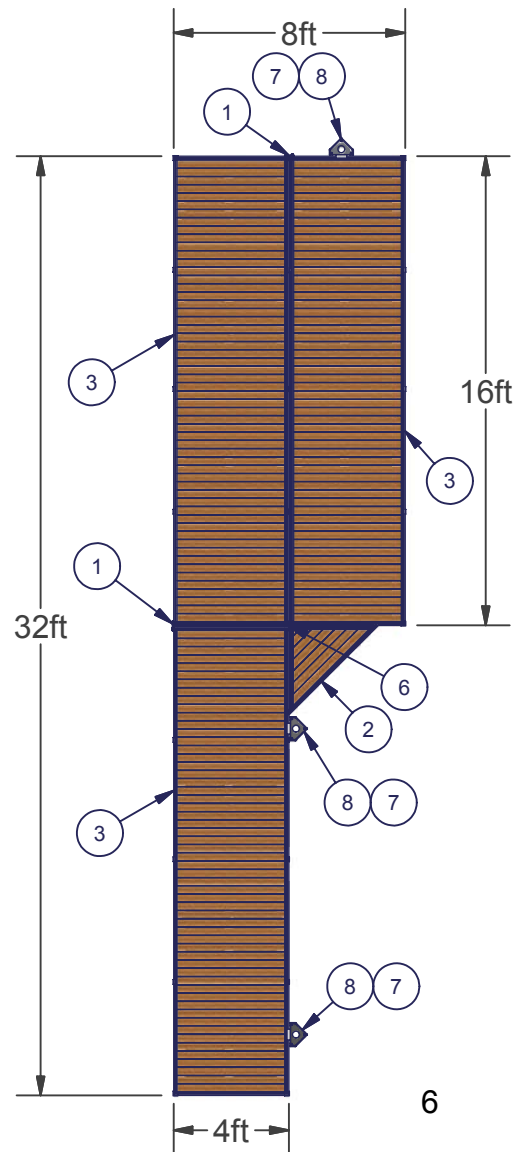
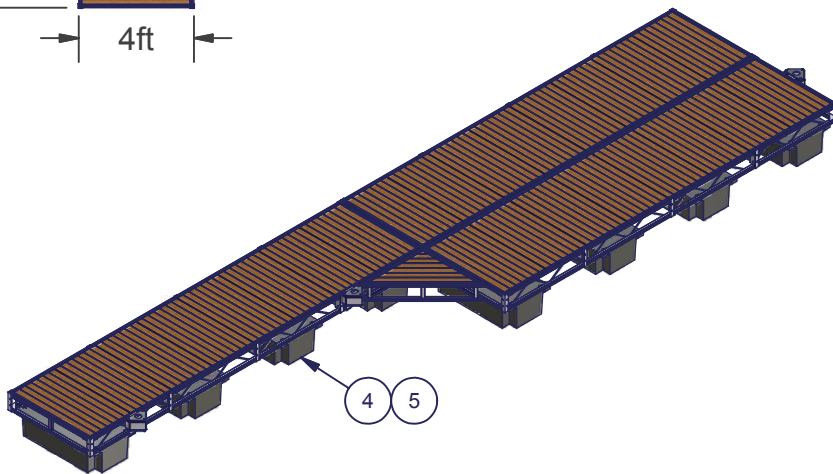
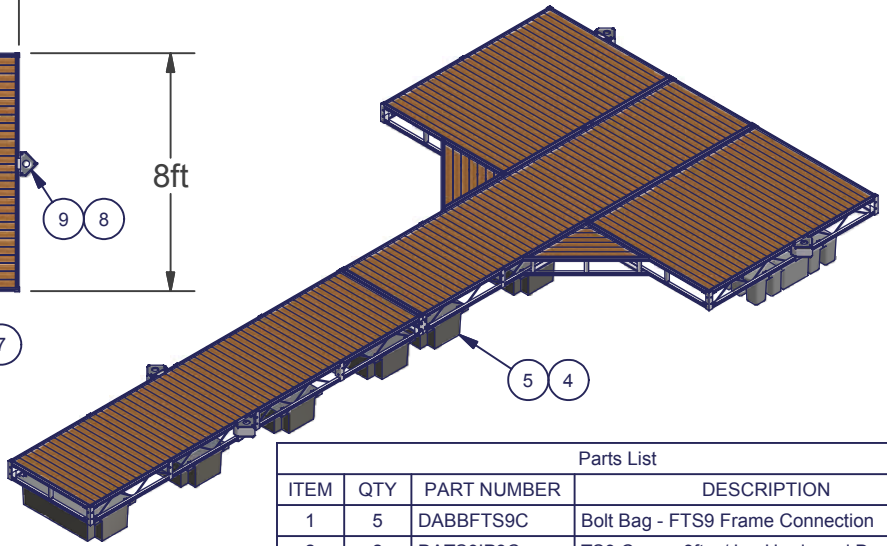
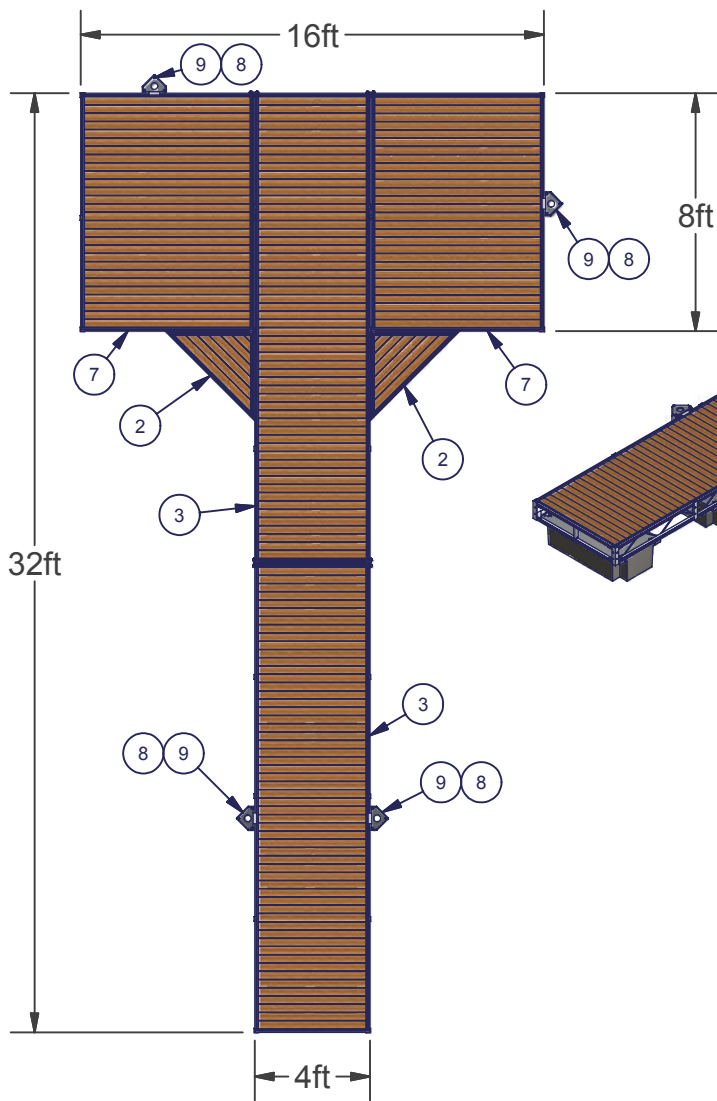


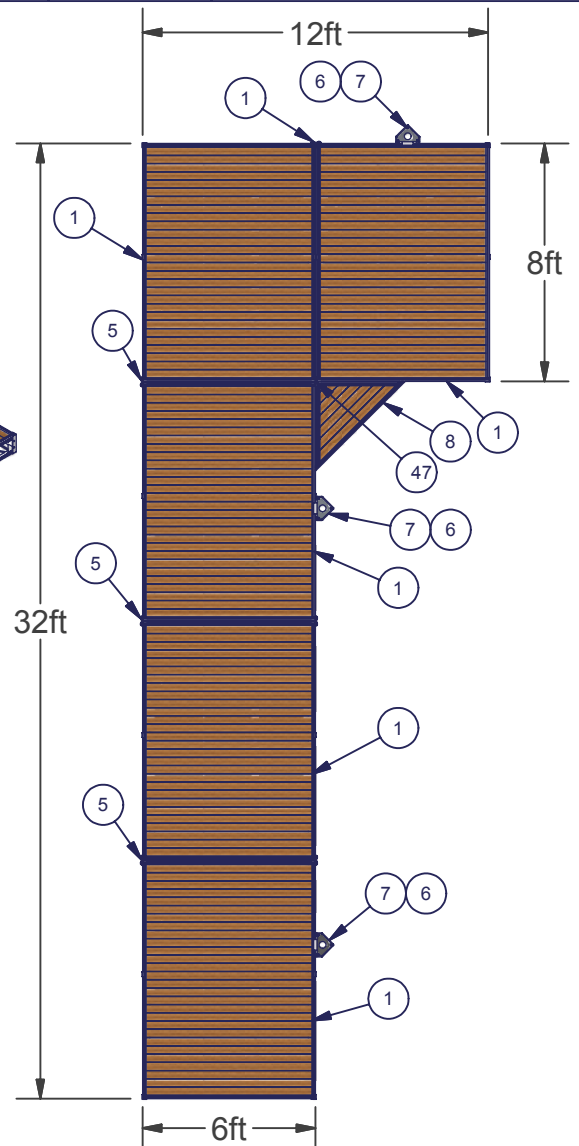
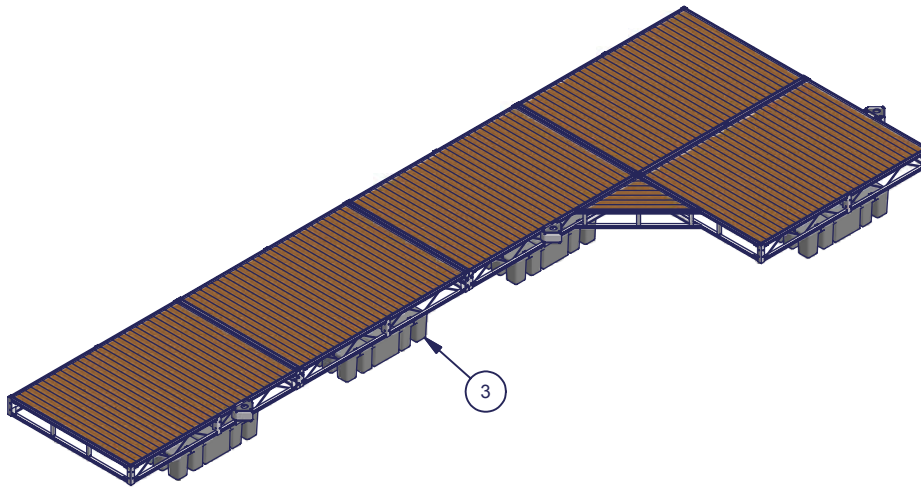
Parts List			
ITEM	QTY	PART NUMBER	DESCRIPTION
1	3	DABBFTS9C	Bolt Bag - FTS9 Frame Connection
2	1	DATS9IP3C	TS9 Corner 3ft w/ Ipe Hardwood Deck
3	1	DMFT908IP	FTS9 4 x 8 w/ Ipe Hardwood Deck
4	2	DMFT916IP	FTS9 4 x 16 w/ Ipe Hardwood Deck
5	10	FLOAT0425	2 x 4 x 12" Float
6	10	500016672	Bolt Bag - FTS9 Float Hardware
7	3	DATS9QCAB	TS9 Quick Connect Accessory Bracket
8	3	DAQCPIPBK	QC Pipe Guide



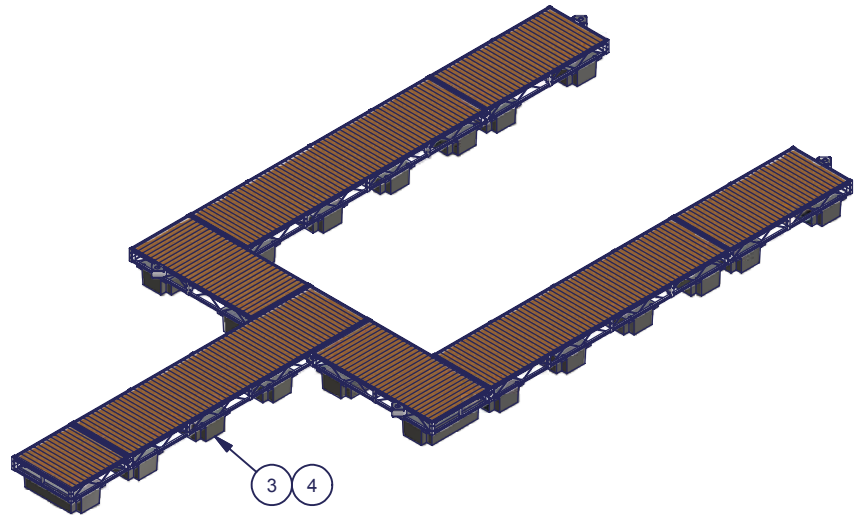
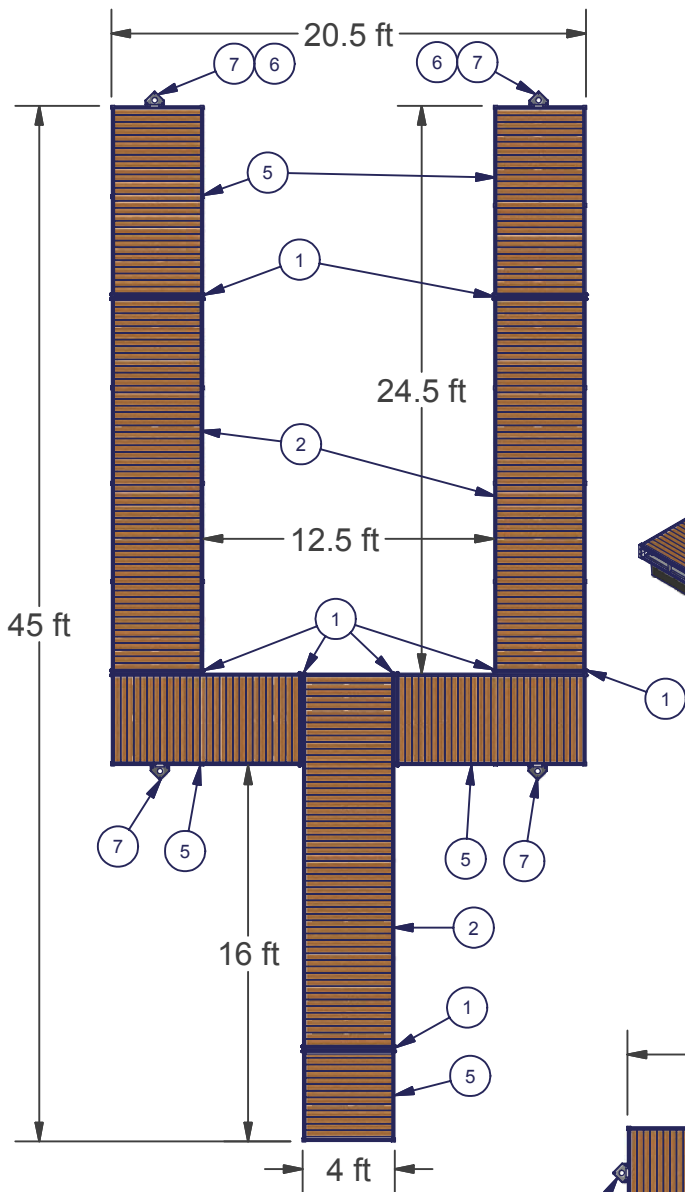
Parts List			
ITEM	QTY	PART NUMBER	DESCRIPTION
1	3	DABBFTS9C	Bolt Bag - FTS9 Frame Connection
2	1	DATS9IP3C	TS9 Corner 3ft w/ Ipe Hardwood Deck
3	3	DMFT916IP	FTS9 4 x 16 w/ Ipe Hardwood Deck
4	12	FLOAT0425	2 x 4 x 12" Float
5	12	500016672	Bolt Bag - FTS9 Float Hardware
6	1	500016802	FTS9 Tri-State Connector
7	3	DATS9QCAB	TS9 Quick Connect Accessory Bracket
8	3	DAQCPIPBK	QC Pipe Guide



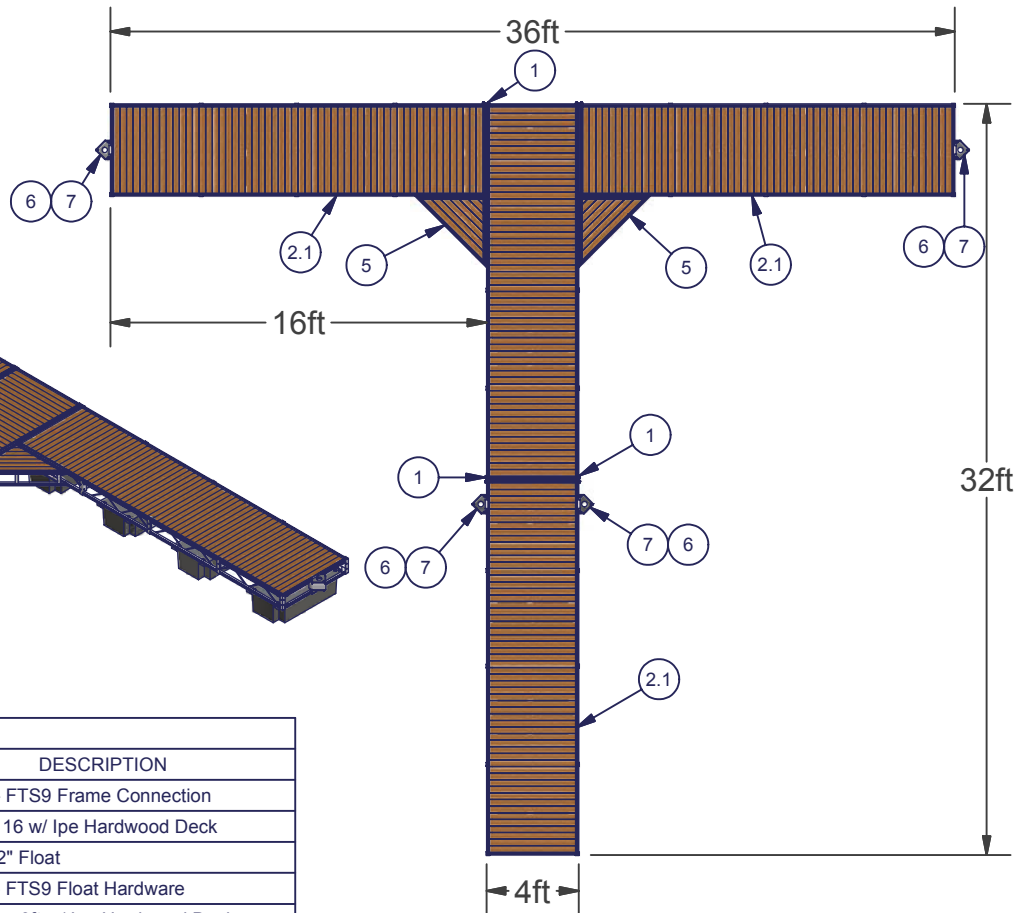
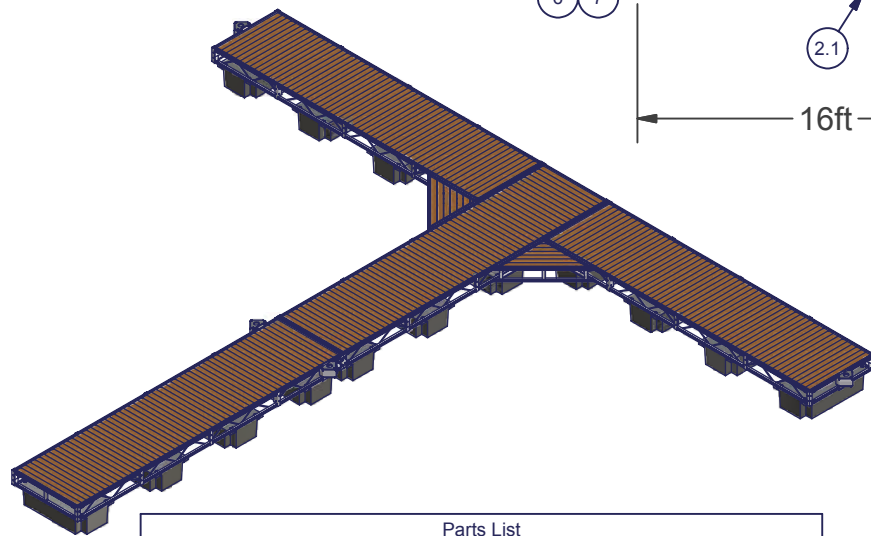
Parts List			
ITEM	QTY	PART NUMBER	DESCRIPTION
1	5	DABBFTS9C	Bolt Bag - FTS9 Frame Connection
2	2	DATS9IP3C	TS9 Corner 3ft w/ Ipe Hardwood Deck
3	1	DMFT916IP	FTS9 4" x 16" w/ Ipe Hardwood Deck
4	10	500016672	Bolt Bag - FTS9 Float Hardware
5	4	FLOAT0425	2" x 4" x 12" Float
6	2	RHINO4612	4" x 6" x 12" Float
7	2	DM6"8FTIP	FTS9 6" x 8" w/ Ipe Hardwood Deck
8	4	DATS9QCAB	TS9 Quick Connect Accessory Bracket
9	4	DAQCPIPBK	QC Pipe Guide



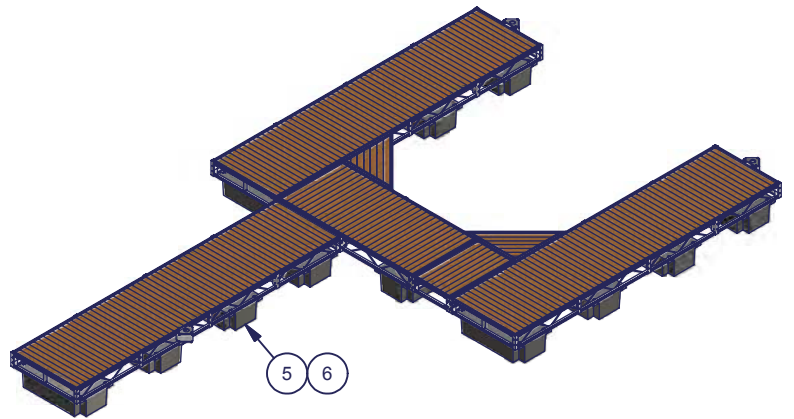
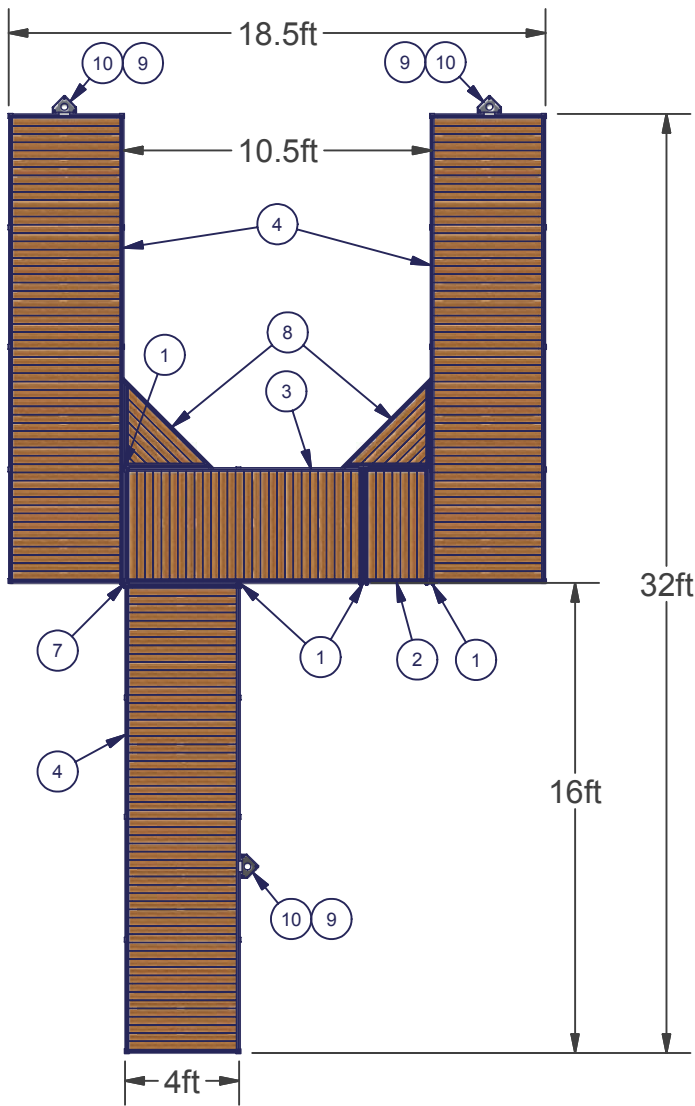
Parts List			
ITEM	QTY	PART NUMBER	DESCRIPTION
1	5	DM6"8FTIP	FTS9 6" x 8" w/ Ipe Hardwood Deck
2	1	500016672	Bolt Bag - FTS9 Float Hardware
3	1	RHINO4612	4" x 6" x 12" Float
4	1	500016802	FTS9 Tri-State Connector
5	4	DABBFTS9C	Bolt Bag - FTS9 Frame Connection
6	3	DATS9QCAB	TS9 Quick Connect Accessory Bracket
7	3	DAQCPIPBK	QC Pipe Guide
8	1	DATS9IP3C	TS9 Corner 3ft w/ Ipe Hardwood Deck



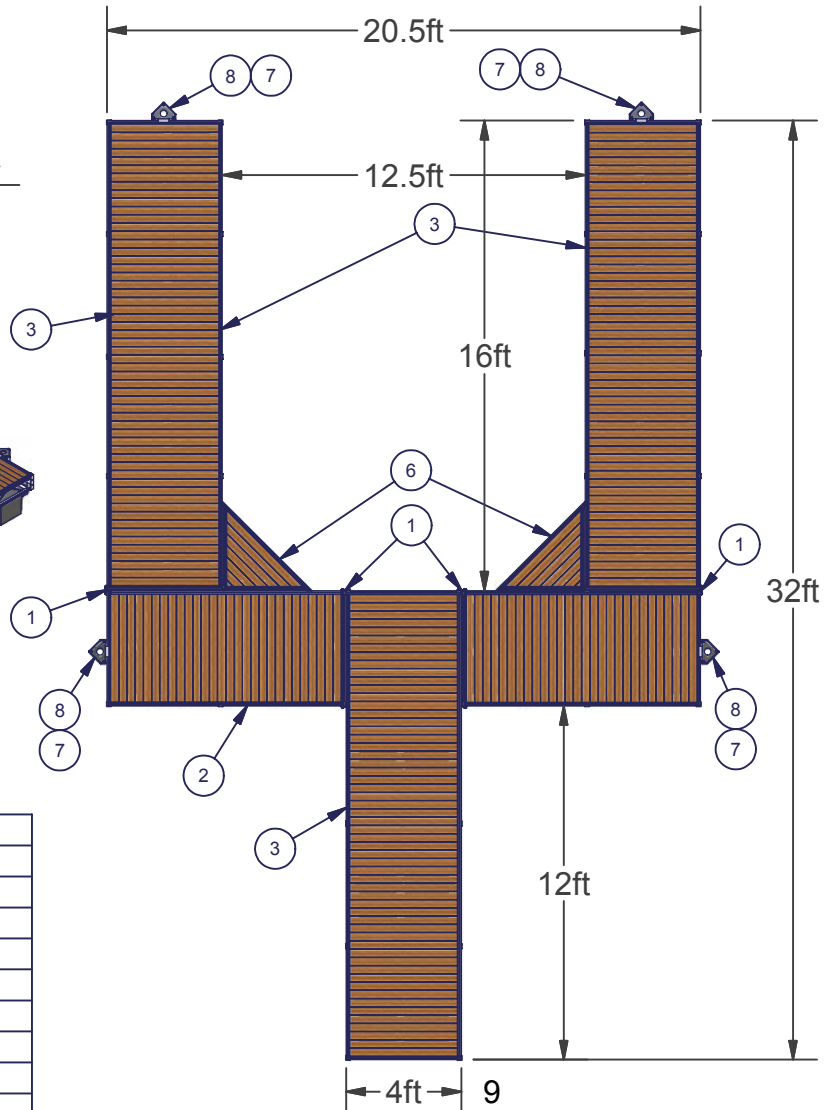
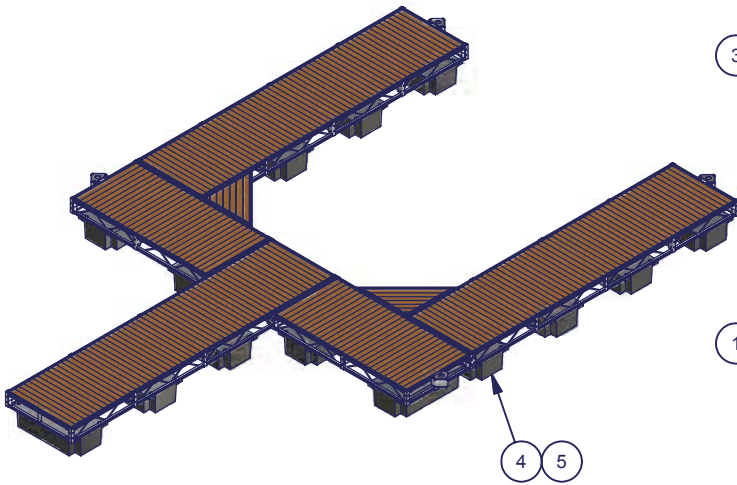
Parts List			
ITEM	QTY	PART NUMBER	DESCRIPTION
1	7	DABBFTS9C	Bolt Bag - FTS9 Frame Connection
2	3	DMFT916IP	FTS9 4 x 16 w/ Ipe Hardwood Deck
3	21	FLOAT0425	2' x 4' x 12" Float
4	21	500016672	Bolt Bag - FTS9 Float Hardware
5	4	DMFT908IP	FTS9 4 x 8 w/ Ipe Hardwood Deck
5	1	DMFT904IP	FTS9 4 x 4 w/ Ipe Hardwood Deck
6	4	DATS9QCAB	TS9 Quick Connect Accessory Bracket
7	4	DAQCPIPBK	QC Pipe Guide



Parts List			
ITEM	QTY	PART NUMBER	DESCRIPTION
1	3	DABBFTS9C	Bolt Bag - FTS9 Frame Connection
2	4	DMFT916IP	FTS9 4 x 16 w/ Ipe Hardwood Deck
3	4	FLOAT0425	2' x 4' x 12" Float
4	4	500016672	Bolt Bag - FTS9 Float Hardware
5	2	DATS9IP3C	TS9 Corner 3ft w/ Ipe Hardwood Deck
6	4	DATS9QCAB	TS9 Quick Connect Accessory Bracket
7	4	DAQCPIPBK	QC Pipe Guide



Parts List			
ITEM	QTY	PART NUMBER	DESCRIPTION
1	4	DABBFTS9C	Bolt Bag - FTS9 Frame Connection
2	1	220016675	FTS9 4 x 2 Frame Weldment
3	1	DMFT908IP	FTS9 4 x 8 w/ Ipe Hardwood Deck
4	3	DMFT916IP	FTS9 4 x 16 w/ Ipe Hardwood Deck
5	14	FLOAT0425	2' x 4' x 12" Float
6	14	500016672	Bolt Bag - FTS9 Float Hardware
7	1	500016802	FTS9 Tri-State Connector
8	2	DATS9IP3C	TS9 Corner 3ft w/ Ipe Hardwood Deck
9	3	DATS9QCAB	TS9 Quick Connect Accessory Bracket
10	3	DAQCPIPBK	QC Pipe Guide



Parts List			
ITEM	QTY	PART NUMBER	DESCRIPTION
1	4	DABBFTS9C	Bolt Bag - FTS9 Frame Connection
2	2	DMFT908IP	FTS9 4 x 8 w/ Ipe Hardwood Deck
3	3	DMFT916IP	FTS9 4 x 16 w/ Ipe Hardwood Deck
4	16	FLOAT0425	2' x 4' x 12" Float
5	16	500016672	Bolt Bag - FTS9 Float Hardware
6	2	DATS9IP3C	TS9 Corner 3ft w/ Ipe Hardwood Deck
7	4	DATS9QCAB	TS9 Quick Connect Accessory Bracket
8	4	DAQCPIPBK	QC Pipe Guide