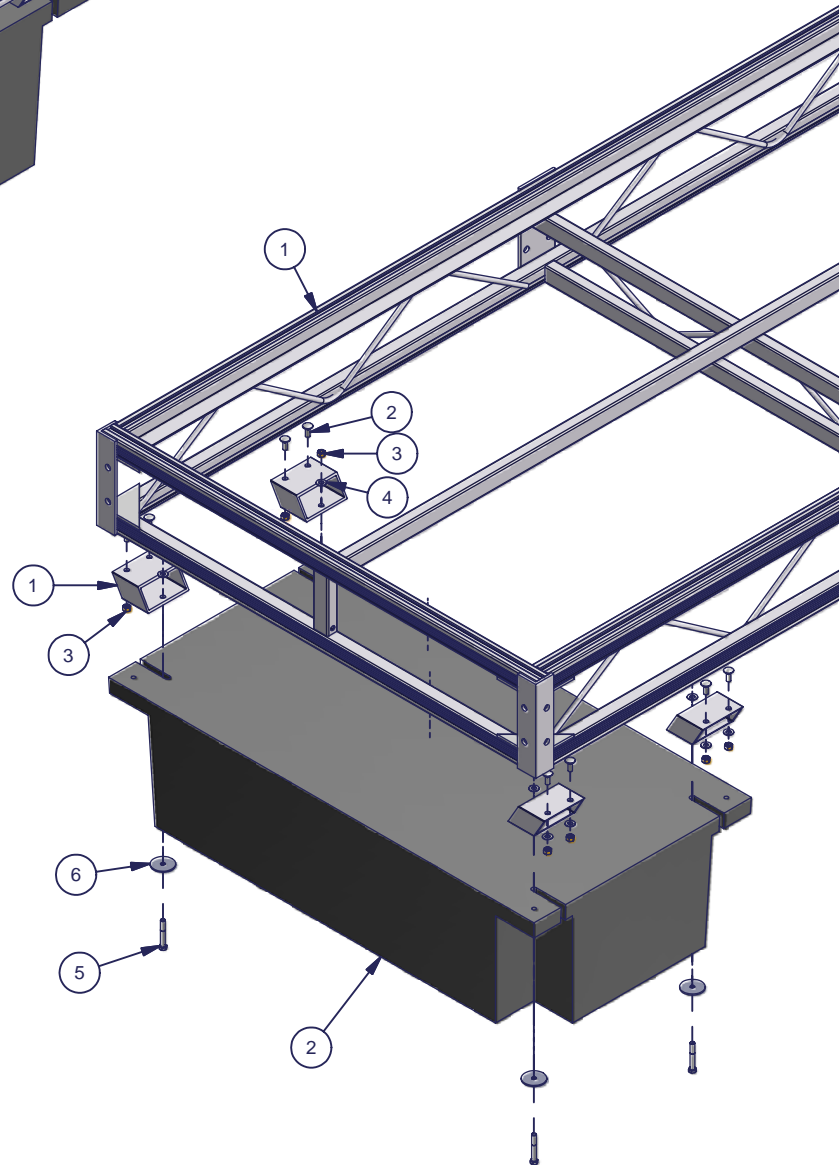
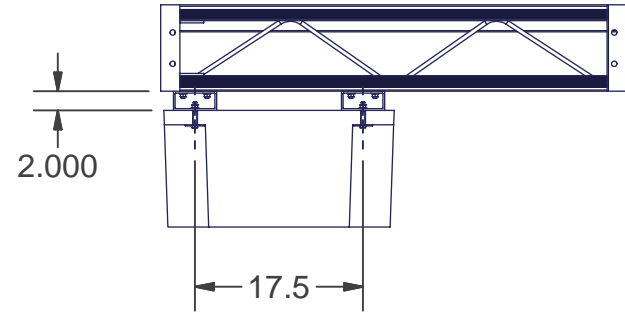
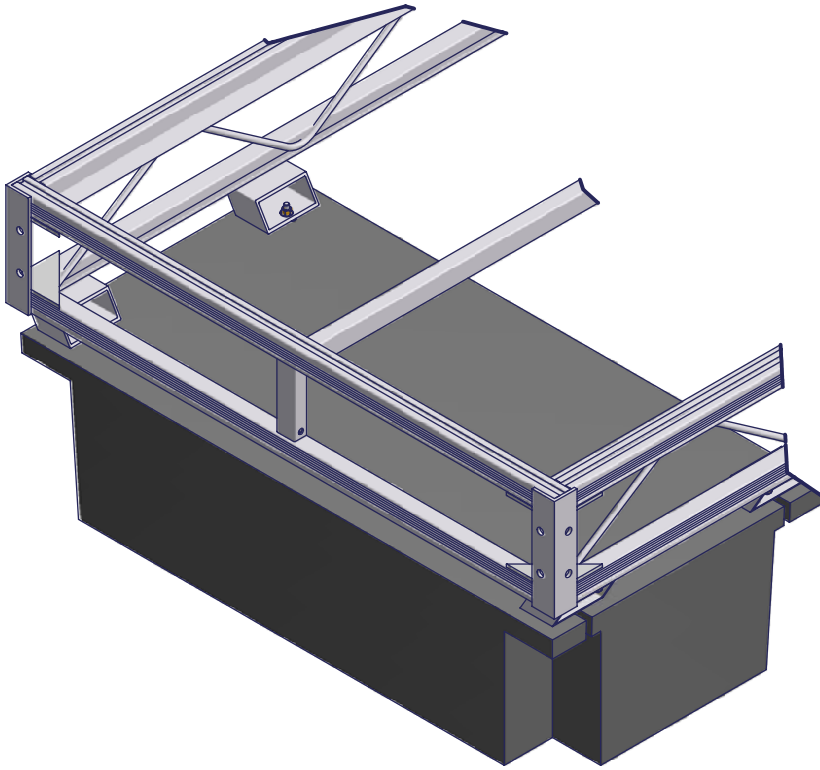


# Part # 1004505 FTS9 Float Spacer Kit



**Step 1.** Attach Float Clip Tube to dock frame using two Bolts Carriage 3/8 x 1.0, two Washers 3/8 and two Nuts Nyloc 3/8. Space Float Clip Tubes 17.5" apart so they will line up with slots in float.

**Step 2.** Attach float to Float Clip Tubes using four Bolts 3/8 x 2.5, four Washers Fender 3/8, four Washers Flat 3/8 and four Nuts Nyloc 3/8.

FTS9 Float Spacer Kit Parts List P/N: 1004505			
ITEM	QTY	PART NUMBER	DESCRIPTION
-	1	1004505	FTS9 Float Spacer Kit
1	4	1004830	Float Clip Tube
2	8	1001956	Bolt Carriage 3/8 x 1.0
3	12	1001805	Nut Nyloc 3/8
4	12	1002599	Washer Flat 3/8
5	4	1002427	Bolt Hex 3/8 x 2.5
6	4	1000431	Washer Fender 3/8 x 2.0