

7000 lb Vertical Lift:

Frame Assembly Instructions.

Model: 701068 - 10ft Wide

7000lb Capacity

1007101 - With Winch

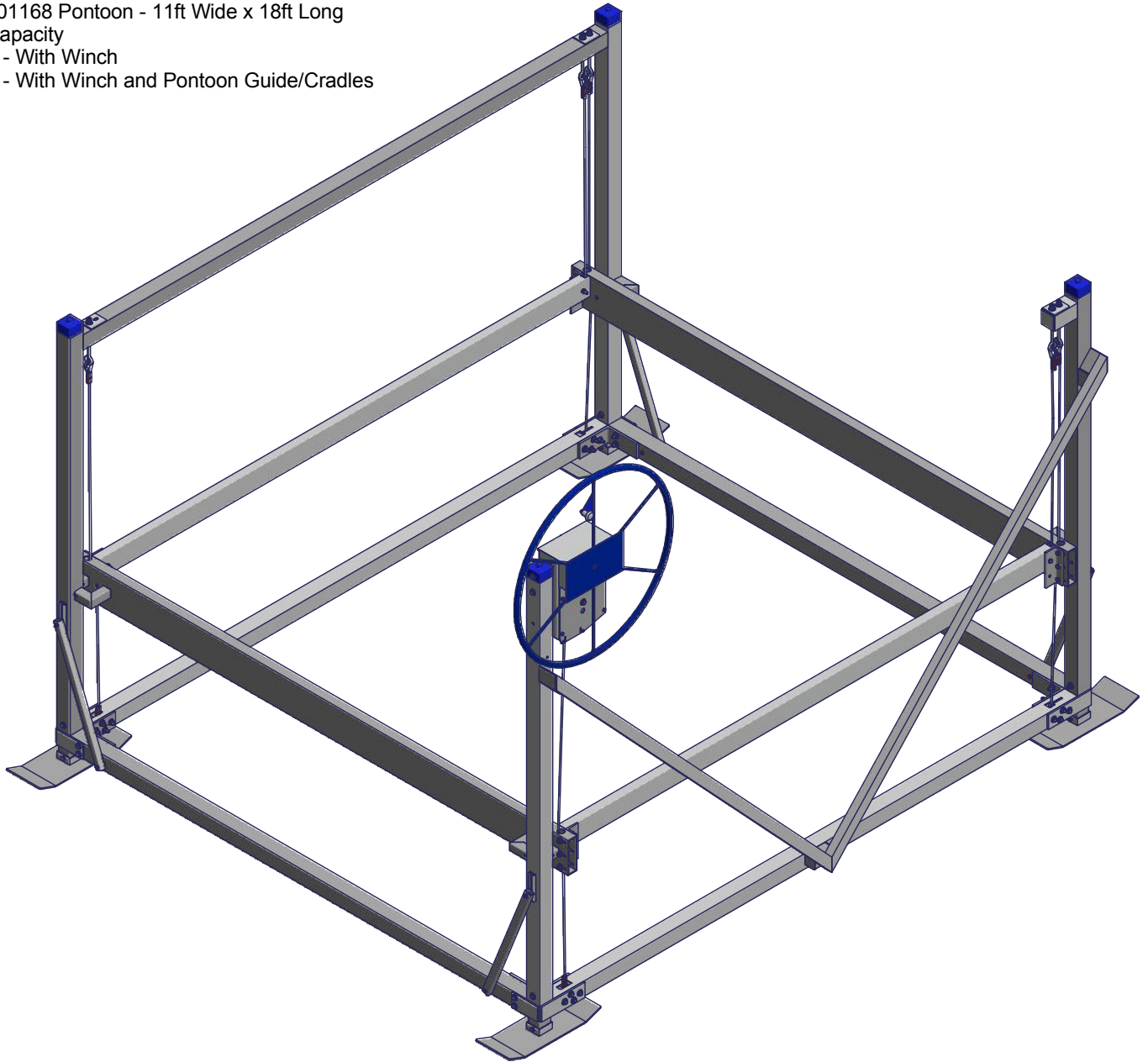
1007132 - Without Winch

Model: 701168 Pontoon - 11ft Wide x 18ft Long

7000lb Capacity

1024770 - With Winch

1024852 - With Winch and Pontoon Guide/Cradles

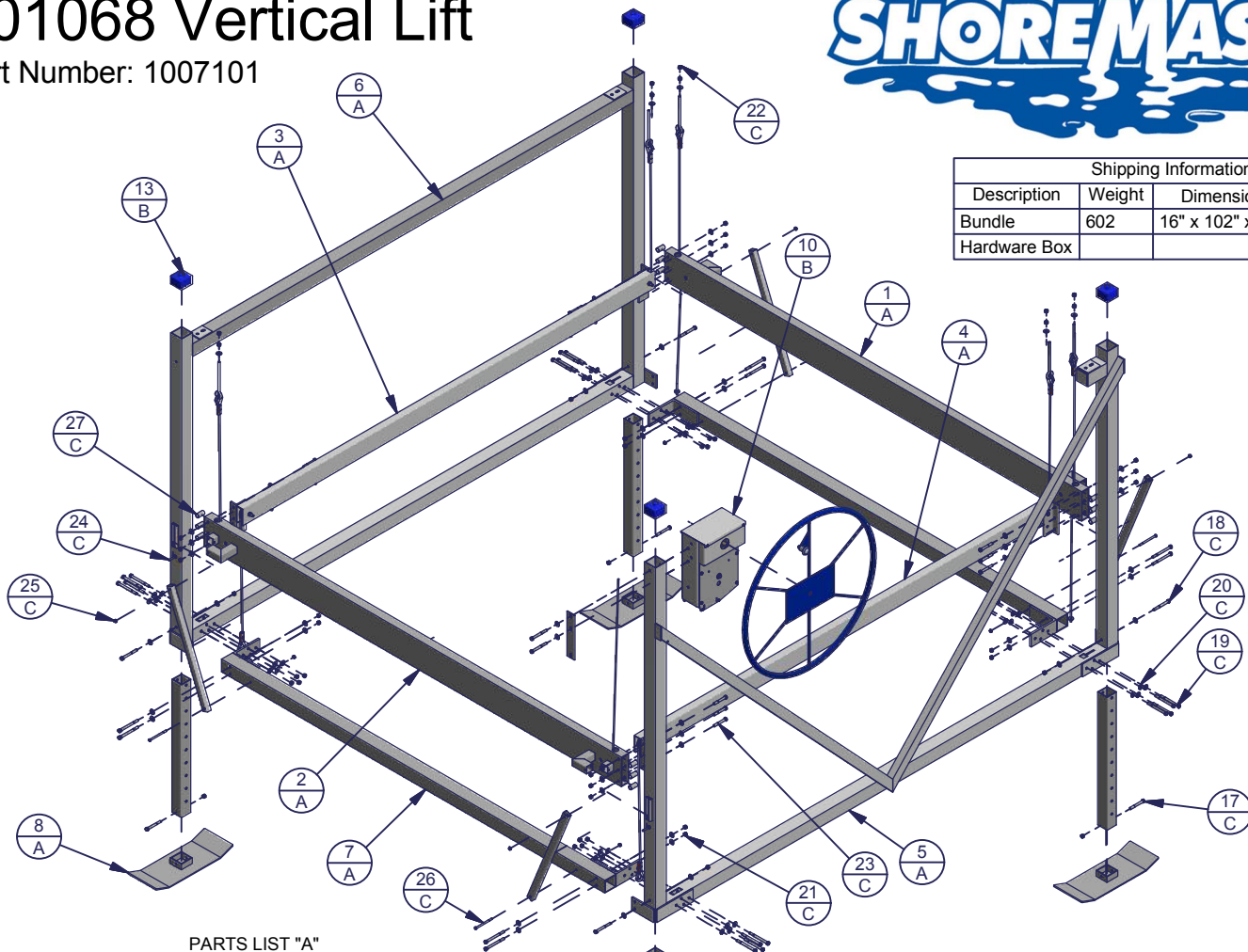


CAUTION - PUT SAFETY FIRST

1. Before attempting to install or operate this lift, study and fully understand the proper operating procedures and safety precautions outlined in this owner's manual.
2. Never exceed the recommended weight capacity of your lift. The lifted weight will include hull, engine, fuel, battery, and added accessories or gear. Weigh your fully loaded boat at a certified scale to be absolutely sure of the total weight.
3. Do not allow anyone on, in, or under the lift while operating.
4. **NOT COMPLYING WITH THE PROCEDURES AND PRECAUTIONS OUTLINED IN THIS MANUAL WILL INVALIDATE THE WARRANTY AND MAY RESULT IN PERSONAL INJURY OR DEATH.**
5. If you have any questions about assembly, installation, operation or suitability of this product, contact an authorized dealer.

701068 Vertical Lift

Part Number: 1007101



Shipping Information			
Description	Weight	Dimensions	Cubic Ft
Bundle	602	16" x 102" x 146"	137.89
Hardware Box			

PARTS LIST "A"

1003936 - Bundle 701068 Vertical Lift			
ITEM	QTY	PART NUMBER	DESCRIPTION
1	1	1003372	Rear Rack Assembly
	1	1007785	Rear Rack - Alum Only
2	1	1003376	Rear Cable
2	1	1003371	Front Rack Assembly
	1	1003375	Winch Cable
	1	1007784	Front Rack - Alum Only
3	1	1003374	Right Rack Side Assembly
	1	1003377	Side Cable
	1	1007783	Right Rack Side - Alum Only
4	1	1003373	Left Rack Side Assembly
	1	1003377	Side Cable
	1	1007782	Left Rack Side - Alum Only
5	1	1003642	Lift Side Winch
6	1	1003643	Lift Side Opposite
7	2	1007376	Bottom Beam
8	4	1007409	Foot Pad - I
9	4	1004744	Leg Post - I3
10	4	1003084	Prt Tube 30.5 - Vertical Lift Brace

PARTS LIST "B"

1007045 - Winch Hardware Box			
ITEM	QTY	PART NUMBER	DESCRIPTION
11	1	1007374	WINCH 7000
12	1	1004881	Winch Support Plate
13	1	1007716	WHEEL SPACER KIT
14	1	1001827	BLUE CAP 3.425 X 3.425
15	4	1007519	Bolt 3/4 x 4.0 w/ Zerk
16	1	1007201	Assy Lift Wheel Large Blue
--	1	1007414	Assy Lift Wheel Large Blue Less Hardware
--	1	1001805	Nut Nyloc 3/8-16 Brass
--	1	1002429	Bolt Hex 3/8-16 x 2.25 SS 304
--	1	1002277	Assy Knob Bolt-On Spinner w/Bearings & Cap

PARTS LIST "C"

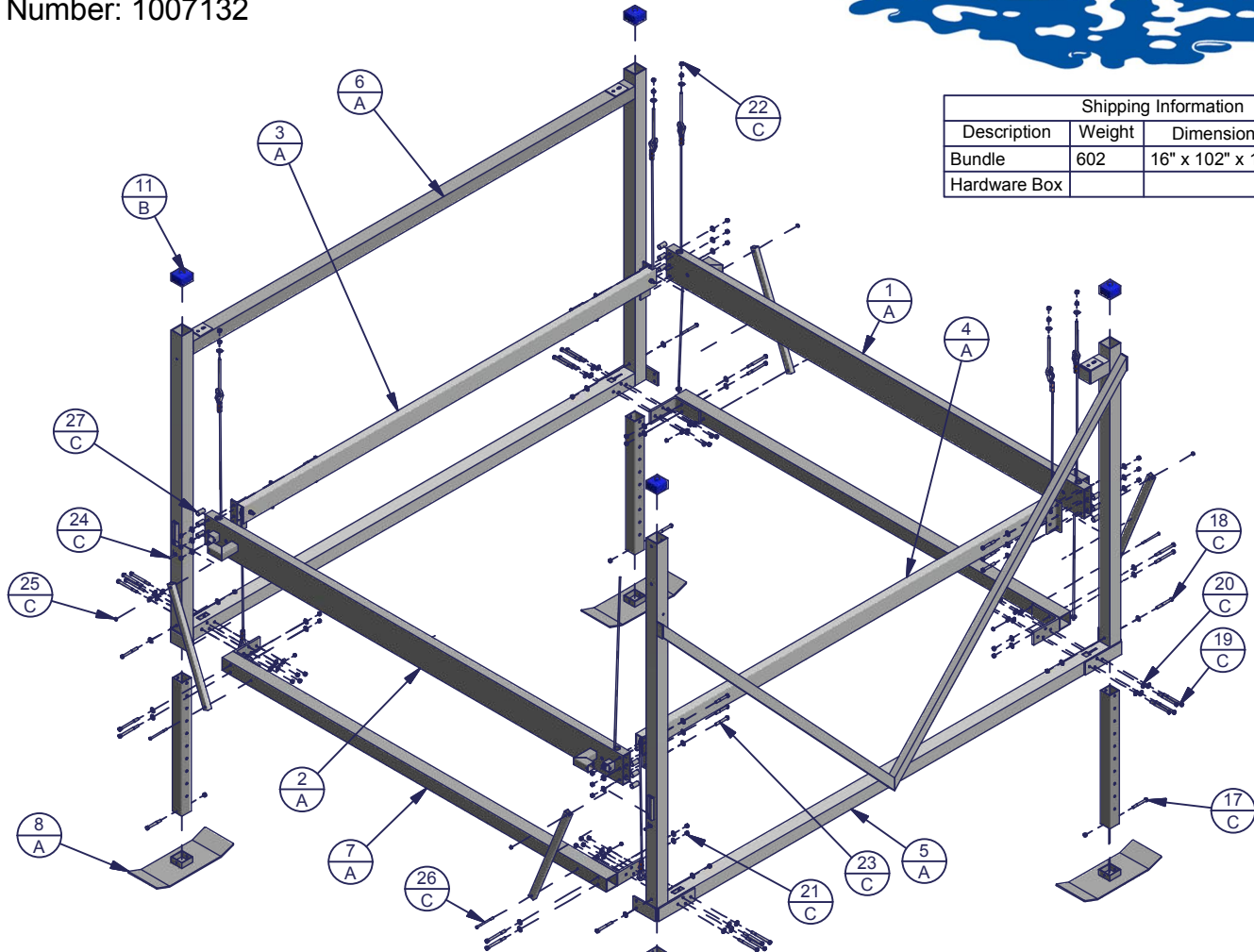
Bolt Bag & Hardware Bag included in Hardware Box			
ITEM	QTY	PART NUMBER	DESCRIPTION
	1	1007620	Bolt Bag
17	4	1002364	Bolt 1/2 X 4.0
18	6	1002385	Bolt 1/2 x 4.5
19	24	1002389	Bolt 1/2 x 5.5
20	89	1002565	Washer Flat 1/2
21	46	1001792	Nut 1/2 Brass
22	10	1002078	Nut 1/2 Galv
23	12	1002383	Bolt 1/2 x 3.5
24	4	1001959	Bolt Carriage 3/8-16 x 1.75 SS
25	8	1001802	Nut Flange 3/8-16 Brass
26	4	1002444	Bolt Hex 3/8-16 x 5.0 SS 304
--	1	1007511	Hardware Bag
27	12	1003504	Pipe Spacer

PULLEY/RACK PARTS

QTY	PART NUMBER	DESCRIPTION
4	1006914	Bushing (Rear)
6	1002209	Sheave 7.25 (Front & Rear)
4	1006913	Bushing (Front)
4	1006916	Sheave 3.75
8	1006908	Bushing (Side)
4	1001795	Nut Nyloc 1/2
4	1002383	Bolt 1/2 x 3.5
4	1003084	Prt Tube 30.5 - Vertical Lift Brace
4	1007519	Bolt 3/4 x 4.0 w/ Zerk

701068 Vertical Lift-Less Winch

Part Number: 1007132



Shipping Information			
Description	Weight	Dimensions	Cubic Ft
Bundle	602	16" x 102" x 146"	137.89
Hardware Box			

PARTS LIST "A"

1003936 - Bundle 701068 Vertical Lift			
ITEM	QTY	PART NUMBER	DESCRIPTION
1	1	1003372	Rear Rack Assembly
	1	1007785	Rear Rack - Alum Only
2	1	1003376	Rear Cable
2	1	1003371	Front Rack Assembly
	1	1003375	Winch Cable
	1	1007784	Front Rack - Alum Only
3	1	1003374	Right Rack Side Assembly
	1	1003377	Side Cable
	1	1007783	Right Rack Side - Alum Only
4	1	1003373	Left Rack Side Assembly
	1	1003377	Side Cable
	1	1007782	Left Rack Side - Alum Only
5	1	1003642	Lift Side Winch
6	1	1003643	Lift Side Opposite
7	2	1007376	Bottom Beam
8	4	1007409	Foot Pad - I
9	4	1004744	Leg Post - I3
10	4	1003084	Prt Tube 30.5 - Vertical Lift Brace

PARTS LIST "B"

1004420 - Hardware Box			
ITEM	QTY	PART NUMBER	DESCRIPTION
11	4	1001827	BLUE CAP 3.425 X 3.425
12	4	1007519	Bolt 3/4 x 4.0 w/ Zerk

PARTS LIST "C"

Bolt Bag & Hardware Bag included in Hardware Box			
ITEM	QTY	PART NUMBER	DESCRIPTION
	1	1007620	Bolt Bag
17	4	1002364	Bolt 1/2 X 4.0
18	4	1002385	Bolt 1/2 x 4.5
19	24	1002389	Bolt 1/2 x 5.5
20	85	1002565	Washer Flat 1/2
21	44	1001792	Nut 1/2 Brass
22	10	1002078	Nut 1/2 Galv
23	12	1002383	Bolt 1/2 x 3.5
24	4	1001959	Bolt Carriage 3/8-16 x 1.75 SS
25	8	1001802	Nut Flange 3/8-16 Brass
26	4	1002444	Bolt Hex 3/8-16 x 5.0 SS 304
--	1	1007511	Hardware Bag
27	12	1003504	Pipe Spacer

PULLEY/RACK PARTS

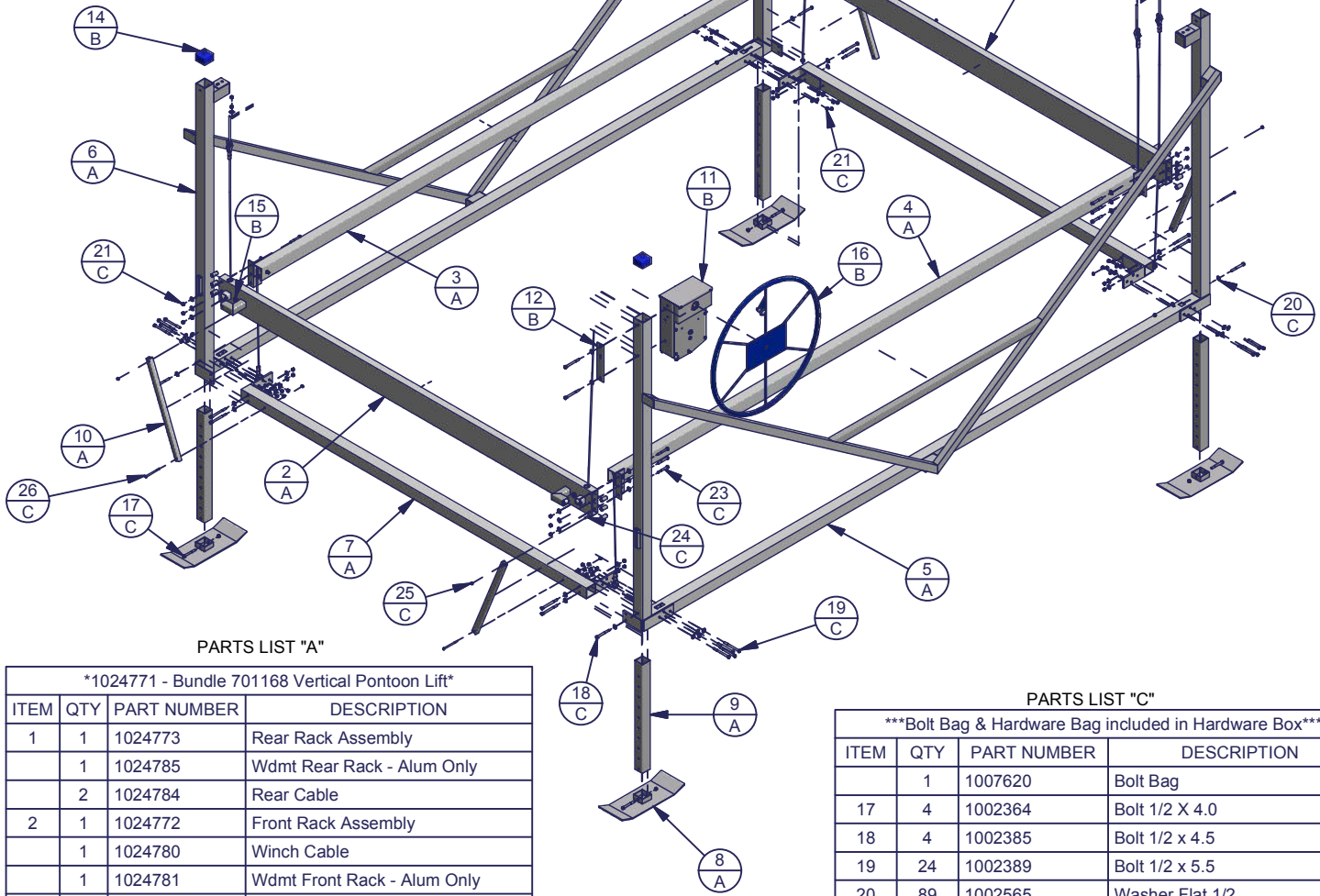
QTY	PART NUMBER	DESCRIPTION
4	1006914	Bushing (Rear)
6	1002209	Sheave 7.25 (Front & Rear)
4	1006913	Bushing (Front)
4	1006916	Sheave 3.75
8	1006908	Bushing (Side)
4	1001795	Nut Nyloc 1/2
4	1002383	Bolt 1/2 x 3.5
4	1003084	Prt Tube 30.5 - Vertical Lift Brace
4	1007519	Bolt 3/4 x 4.0 w/ Zerk

701168 Vertical Pontoon Lift

Part Number: 1024770



Shipping Information			
Description	Weight	Dimensions	Cubic Ft
Bundle	725	16" x 102" x 218"	205.89
Hardware Box			



PARTS LIST "A"

1024771 - Bundle 701168 Vertical Pontoon Lift			
ITEM	QTY	PART NUMBER	DESCRIPTION
1	1	1024773	Rear Rack Assembly
	1	1024785	Wdmt Rear Rack - Alum Only
2	1	1024772	Front Rack Assembly
	1	1024780	Winch Cable
	1	1024781	Wdmt Front Rack - Alum Only
3	1	1024775	Right Rack Side Assembly
	1	1024787	Side Cable
	1	1024791	Wdmt Right Rack Side - Alum Only
4	1	1024774	Left Rack Side Assembly
	1	1024787	Side Cable
	1	1024788	Left Rack Side - Alum Only
5	1	1024776	Lift Side Winch
6	1	1024777	Lift Side Opposite
7	2	1024778	Bottom Beam
8	4	1007409	Foot Pad - I
9	4	1004744	Leg Post - I3
10	4	1003084	Prt Tube 30.5 - Vertical Lift Brace

PARTS LIST "B"

1007045 - Winch Hardware Box			
ITEM	QTY	PART NUMBER	DESCRIPTION
11	1	1007374	WINCH 7000
12	1	1004880	Winch Support Plate
13	1	1007716	WHEEL SPACER KIT
14	1	1001827	BLUE CAP 3.425 X 3.425
15	4	1007519	Bolt 3/4 x 4.0 w/ Zerk
16	1	1007201	Assy Lift Wheel Large Blue
--	1	1007414	Assy Lift Wheel Large Blue Less Hardware
--	1	1001805	Nut Nyloc 3/8-16 Brass
--	1	1002429	Bolt Hex 3/8-16 x 2.25 SS 304
--	1	1002277	Assy Knob Bolt-On Spinner w/Bearings & Cap

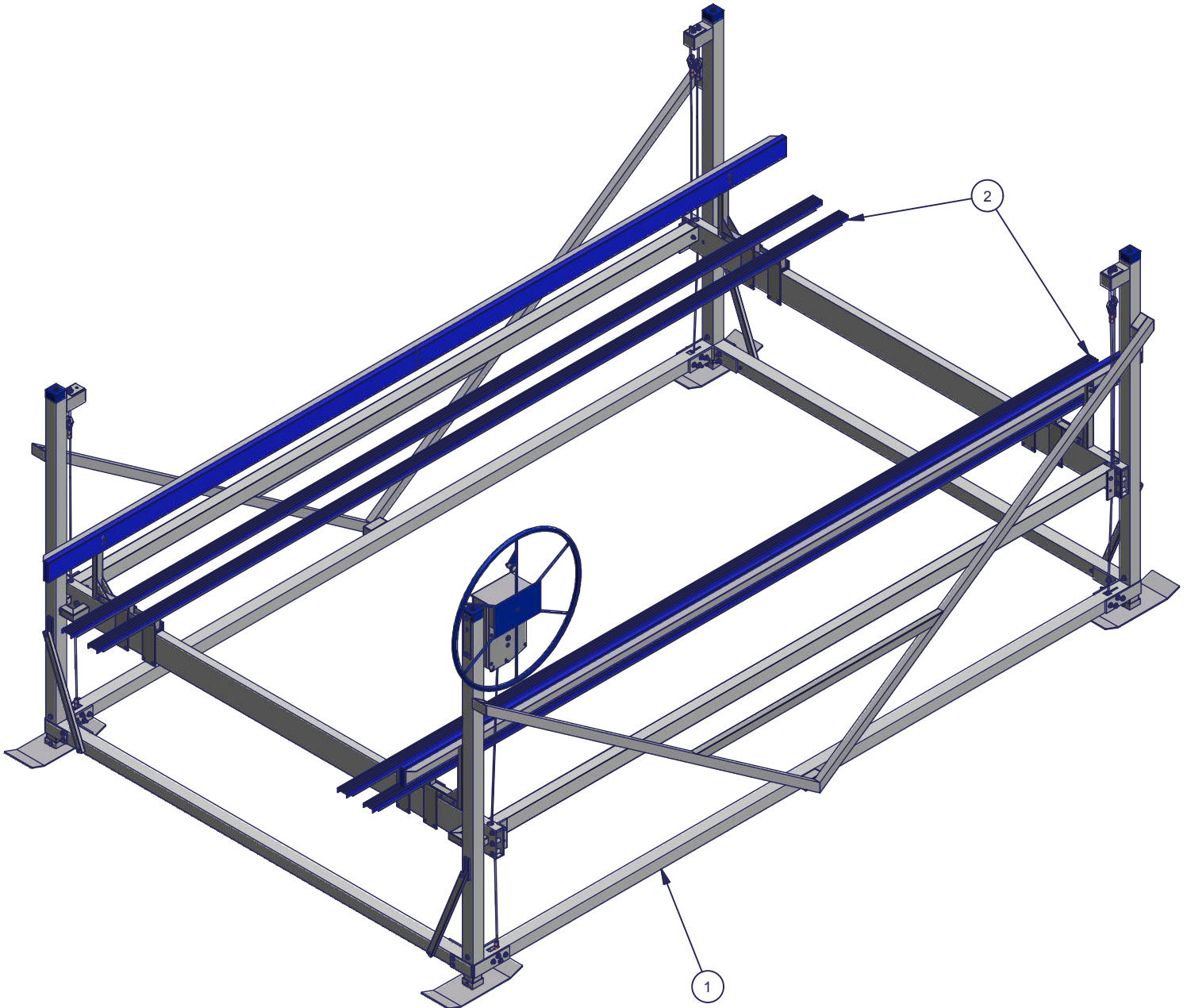
PARTS LIST "C"

Bolt Bag & Hardware Bag included in Hardware Box			
ITEM	QTY	PART NUMBER	DESCRIPTION
	1	1007620	Bolt Bag
17	4	1002364	Bolt 1/2 X 4.0
18	4	1002385	Bolt 1/2 x 4.5
19	24	1002389	Bolt 1/2 x 5.5
20	89	1002565	Washer Flat 1/2
21	46	1001792	Nut 1/2 Brass
22	10	1002078	Nut 1/2 Galv
23	12	1002383	Bolt 1/2 x 3.5
24	4	1001959	Bolt Carriage 3/8-16 x 1.75 SS
25	8	1001802	Nut Flange 3/8-16 Brass
26	4	1002444	Bolt Hex 3/8-16 x 5.0 SS 304
--	1	1007511	Hardware Bag
27	12	1003504	Pipe Spacer

PULLEY/RACK PARTS

QTY	PART NUMBER	DESCRIPTION
4	1006914	Bushing (Rear)
6	1002209	Sheave 7.25 (Front & Rear)
4	1006913	Bushing (Front)
4	1004657	Sheave 3.5
4	1006908	Short Bushing (Side)
4	1024801	Long Bushing (Side)
4	1001795	Nut Nyloc 1/2
4	1002387	Bolt 1/2 x 4.25
4	1003084	Prt Tube 30.5 - Vertical Lift Brace
4	1007519	Bolt 3/4 x 4.0 w/ Zerk

Part # 1024852
 Pontoon 701168 DVS with
 Pontoon Guide / Cradles



Parts List			
ITEM	QTY	PART NUMBER	DESCRIPTION
1	1	1024770	701168 Pontoon Vertical Lift w/ Aluminum Winch
2	1	1024811	Pontoon Guide / Cradle Bracket 7K Complete

Frame Assembly Instructions

Your safety is the most important issue related to this product.

- Fully read and understand each step before proceeding with that step.
- Wear protective gloves, clothing and eyewear when assembling and installing the lift.
- Do not assemble, install or use this product if items are missing or damaged.

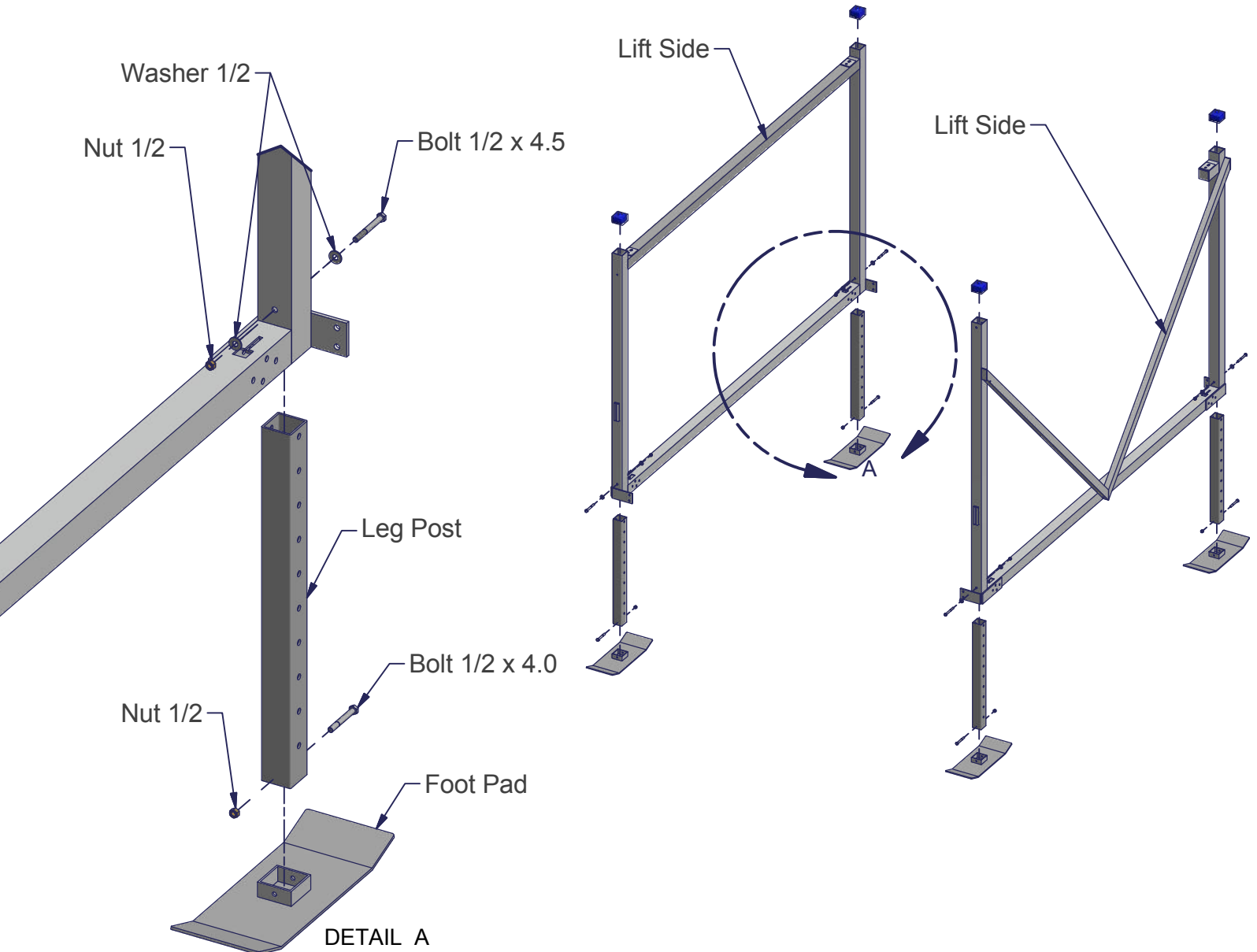
For ease of assembly find a flat area with plenty of room to assemble lift. The following tools will be needed for assembling lift:

1. Pair of 7/16" Wrenches
2. Pair of 9/16" Wrenches
3. 3/4" Wrench
4. Measuring Tape
5. Hammer
6. 3/16" Allen Wrench

Only hand tighten bolts and nuts until lift is completely assembled.

STEP 1

Press on Blue Caps on Uprights as shown. Insert all four Leg Posts into Foot Pads. Secure using one Bolt 1/2 x 4.0 and one Nut 1/2 in each place. Insert Leg Posts into Lift Sides as shown. Secure with one Bolt 1/2 x 4.5, two Washers 1/2 and one Nut 1/2 for each Leg Post.

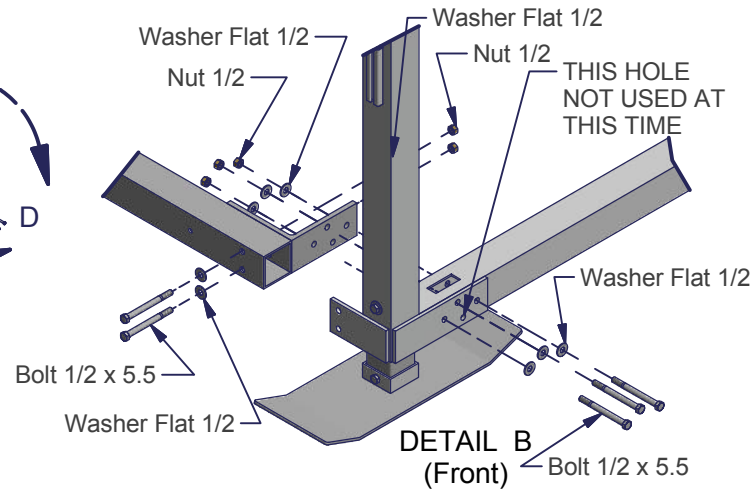
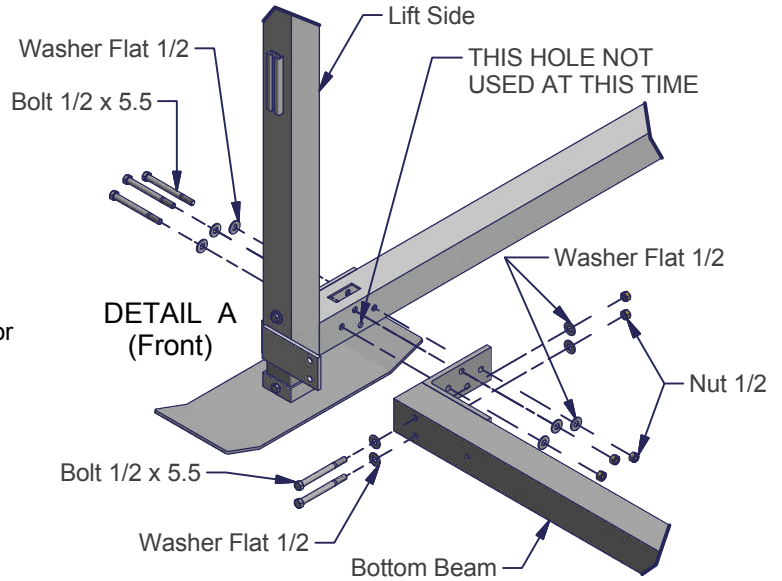
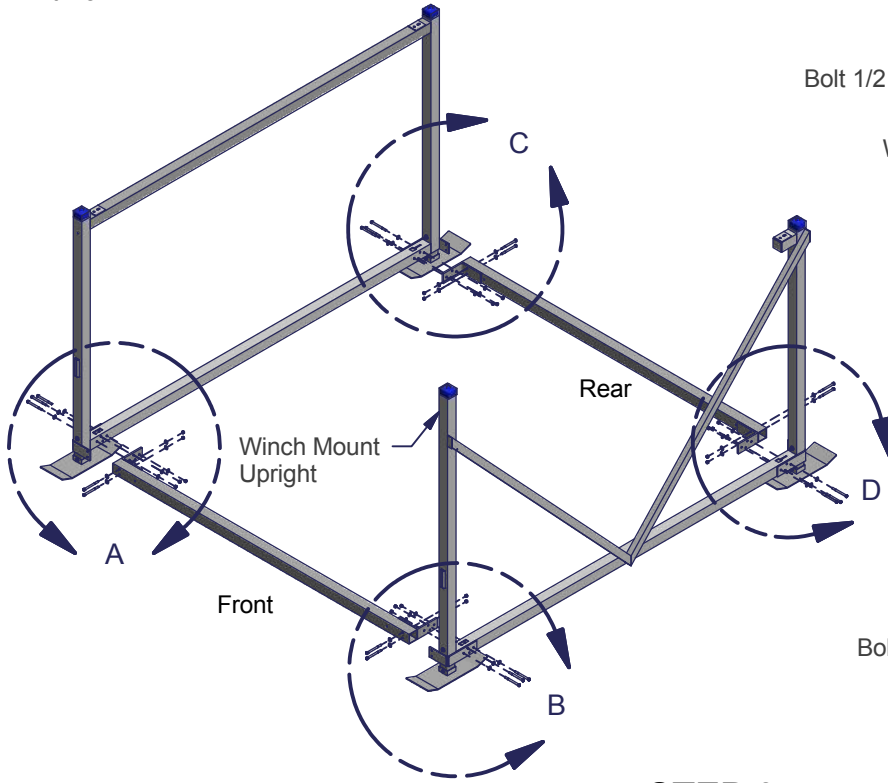


STEP 2

Attach one Bottom Beam to the front of both Lift Sides. Secure each end of the Bottom Beam with five Bolts 1/2 x 5.5, ten Washers Flat 1/2 and five Nuts 1/2 - as shown in Detail "A" and "B."

Note: The front is indicated by the Winch Mount Upright - as shown.

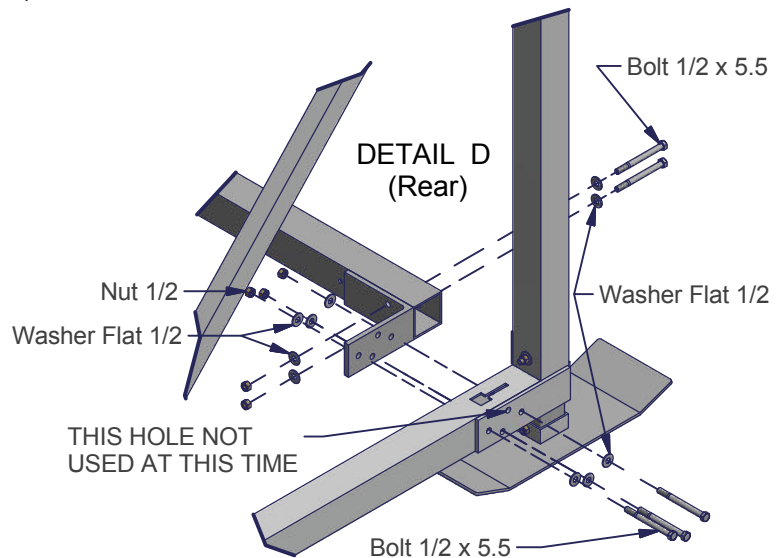
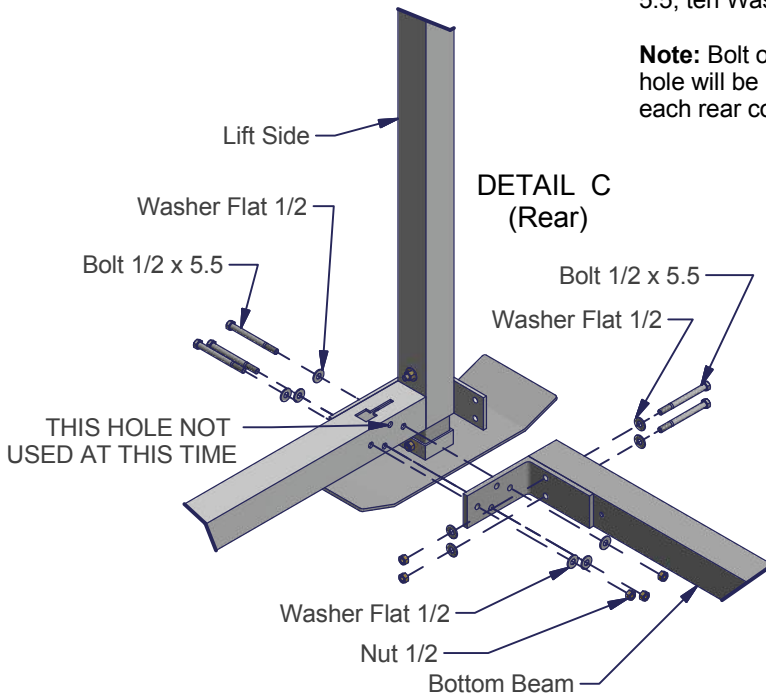
Note: Bolt only five of the six holes at each corner at this time. The remaining hole will be used in a later step. See each detail for the one connection hole (in each front corner) not used at this time.



STEP 3

Attach the Bottom Beam to rear of the Lift Sides. Secure with Five Bolts 1/2 x 5.5, ten Washers Flat 1/2 and five Nuts 1/2 - as shown in Detail "C" & "D."

Note: Bolt only five of the six holes at each corner at this time. The remaining hole will be used in a later step. See each detail for the one connection hole (in each rear corner) not used at this time.

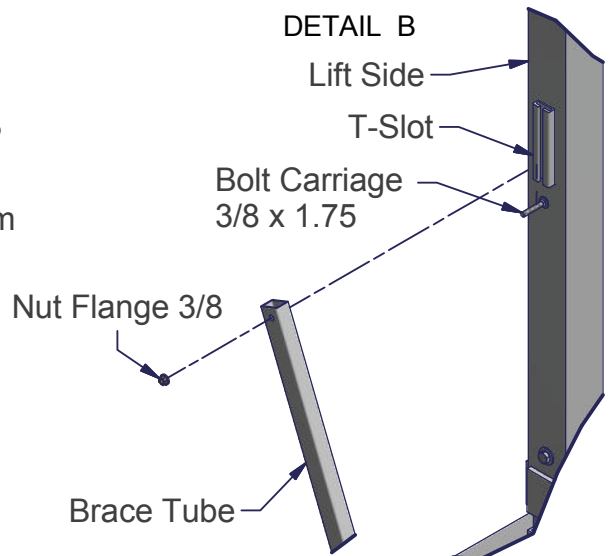
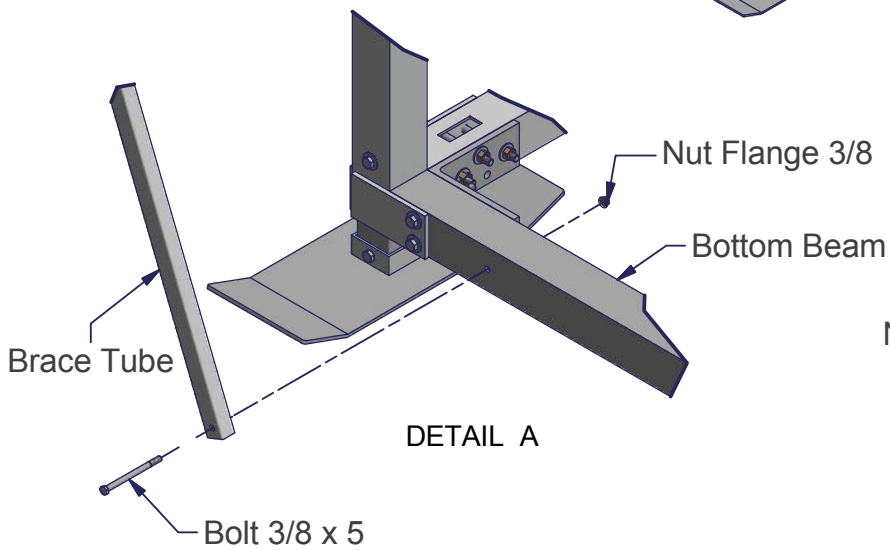
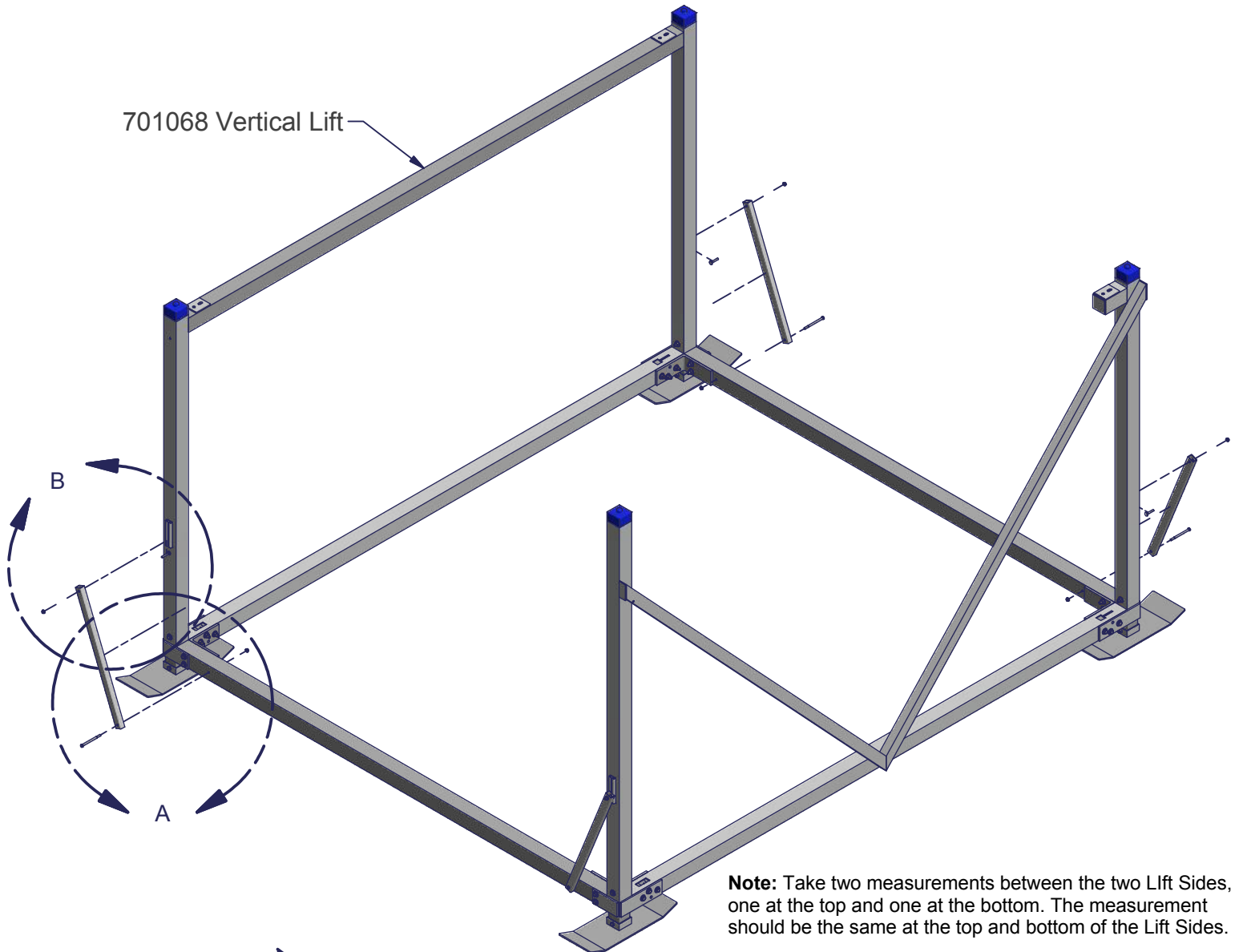


STEP 4

Attach the Brace Tube to the Lift Sides and Bottom Beams.

Secure each Brace Tube to the Bottom Beams with one Bolt 3/8 x 5, and one Nut Flange 3/8 - as shown in Detail "A."

Secure each Brace Tube to the T Slot of the Lift Sides with one Bolt Carriage 3/8 x 1.75 and one Nut Flange 3/8 - as shown in Detail "B."



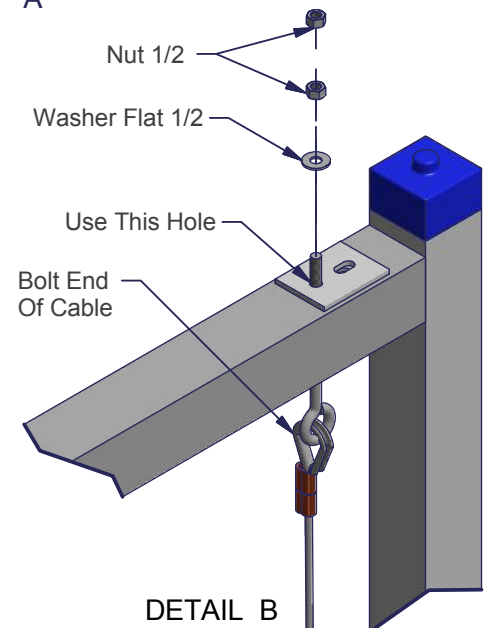
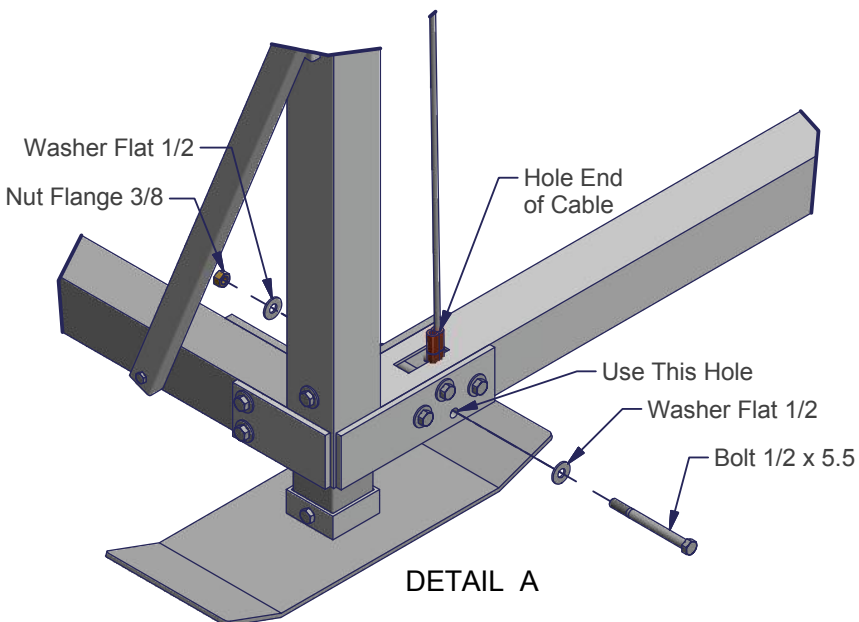
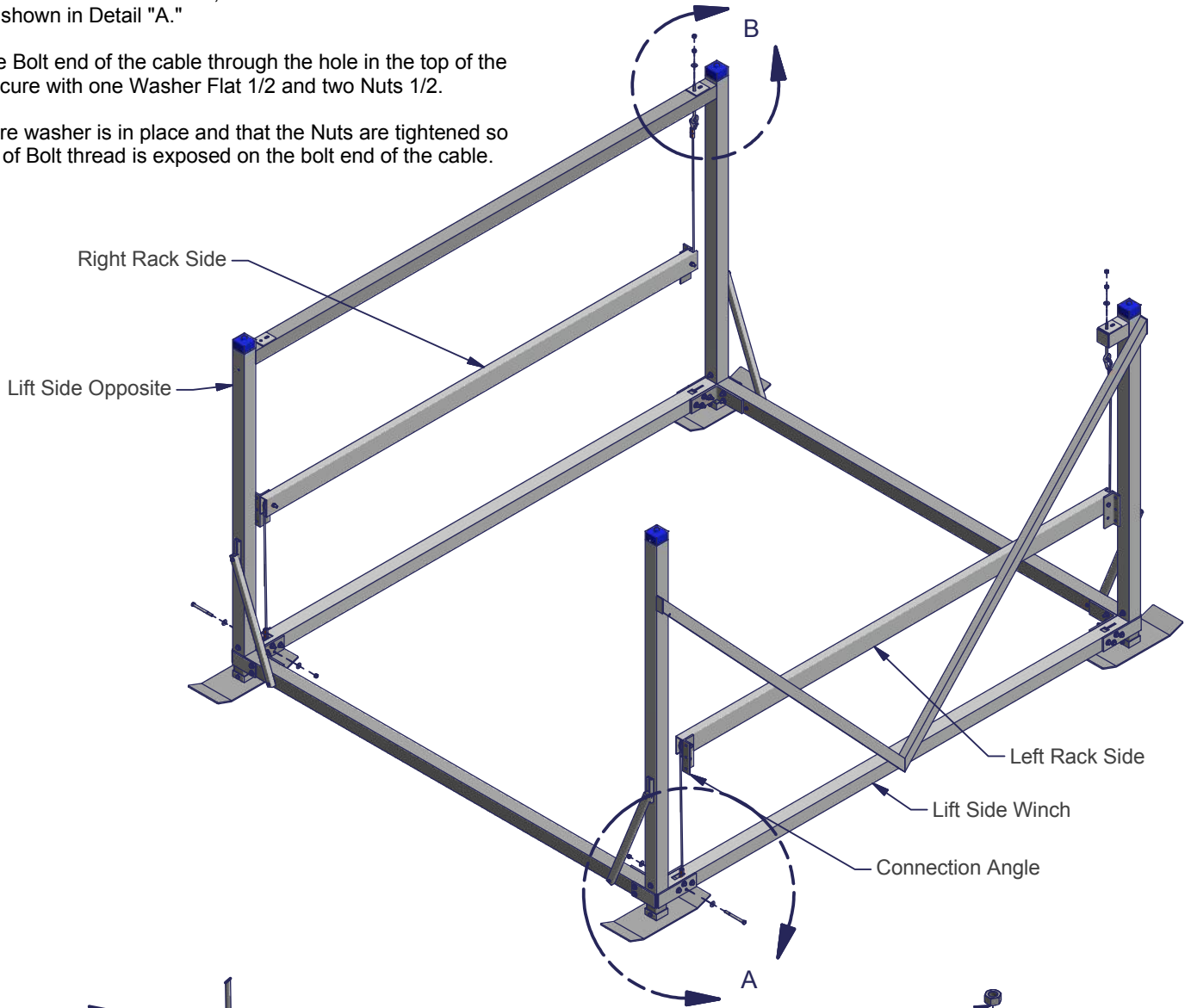
STEP 5

Place the Rack Sides in the Lift Sides as shown with Connection Angles facing out.

A - Set the Hole end of the cable into the slot in the front of the lift side. Secure with one Bolt 1/2 x 5.5, two Washers Flat 1/2 and one Nut 1/2 - as shown in Detail "A."

B - Insert the Bolt end of the cable through the hole in the top of the Lift Side. Secure with one Washer Flat 1/2 and two Nuts 1/2.

Note: Be sure washer is in place and that the Nuts are tightened so at least 1/4" of Bolt thread is exposed on the bolt end of the cable.



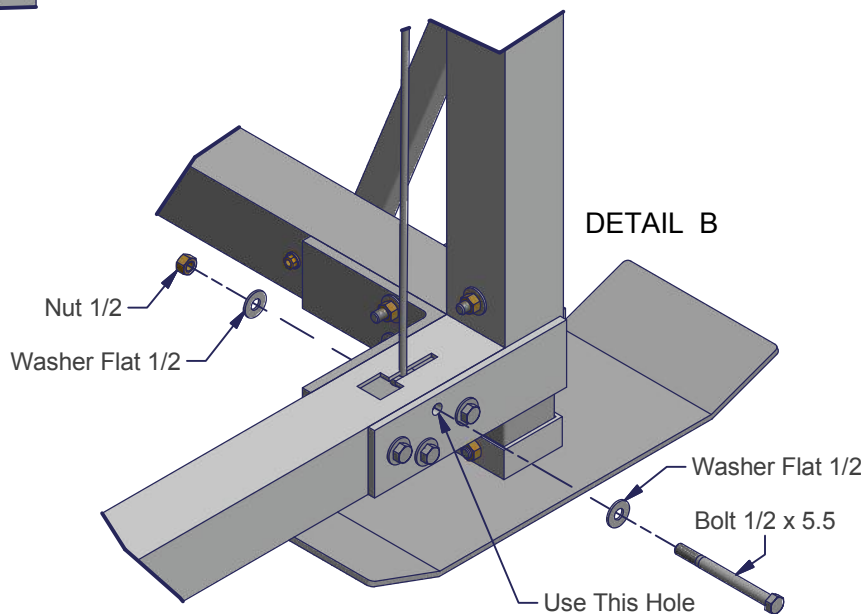
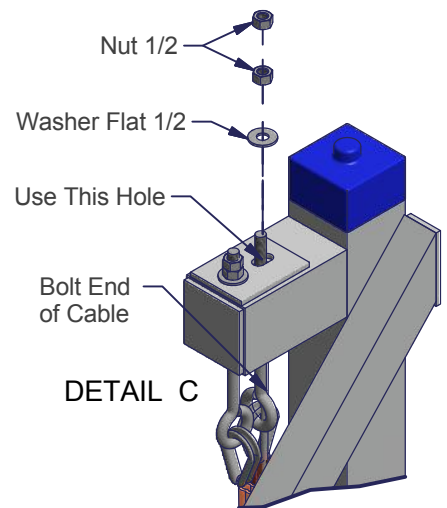
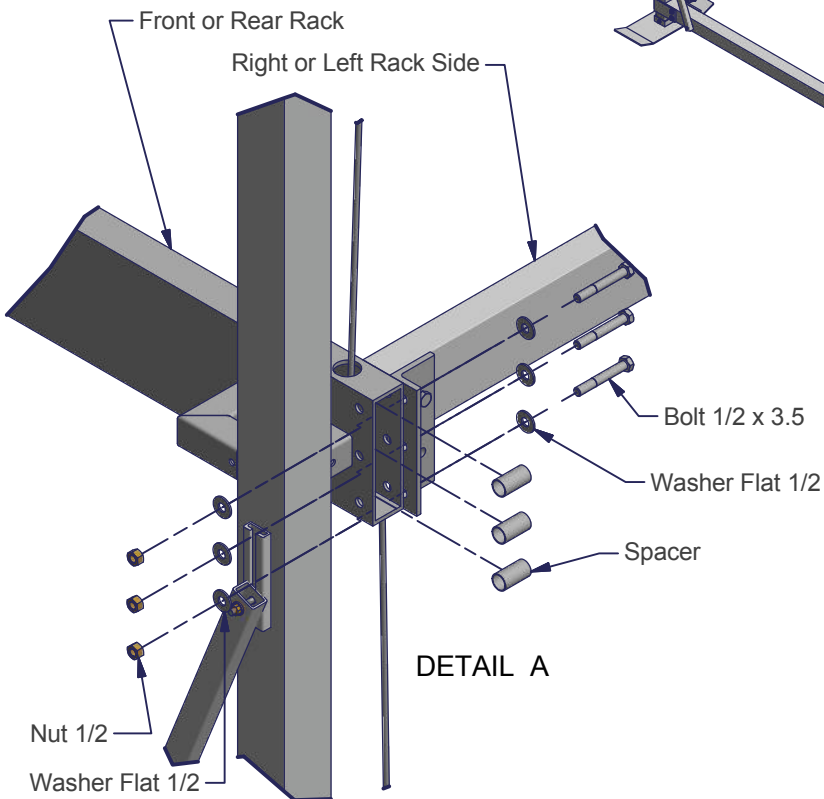
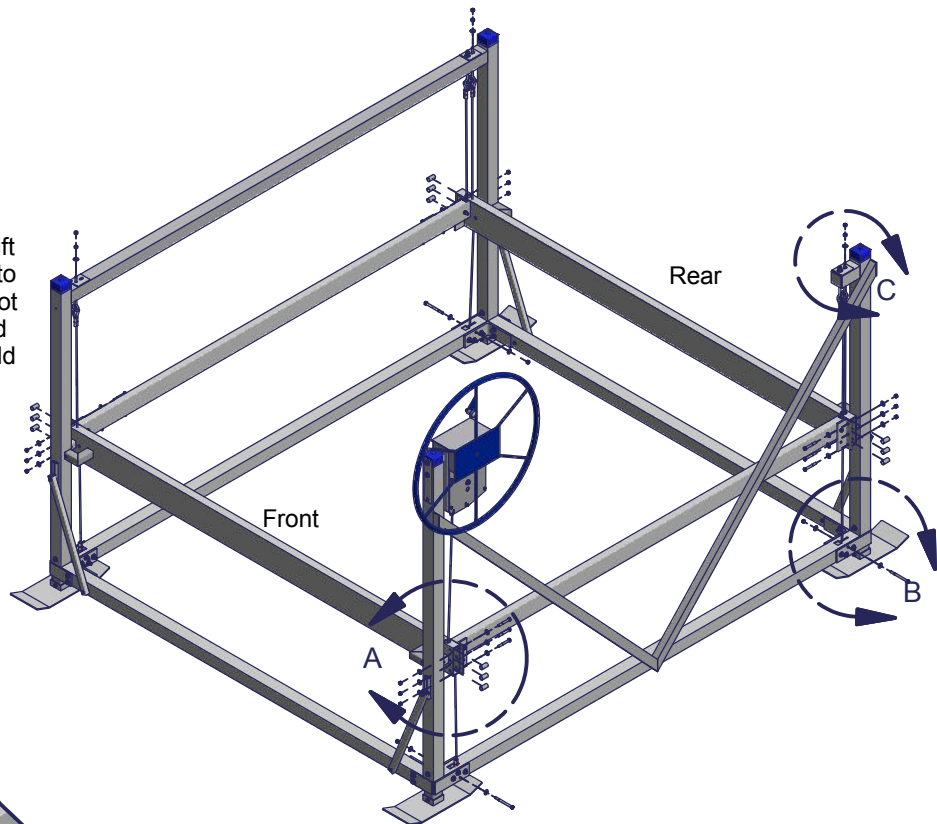
STEP 6

A - Attach the Front and Rear Racks to the Rack Sides. Secure at each end with three Bolts 1/2 x 3.5, three Spacers, six Washers Flat 1/2 and two Nuts 1/2 - as shown in Detail "A."

NOTE: Rack Side Angles should face out and down.

B - Secure bottom end of the Rear Rack cables to the Lift Sides by inserting the washer on the end of the cable into the large hole in the slot and slide it to the back of the slot secure with one Bolt 1/2 x 5.5, two Washers Flat 1/2 and one Nut 1/2 - as shown in Detail "B." The bolt should hold the cable from coming out of the slot.

C - Insert the Bolt End of of the Front and Rear Rack cables through the specified hole in the top of the Lift Sides. Secure each cable with one Washer Flat 1/2 and two Nut 1/2 as shown in Detail "C."



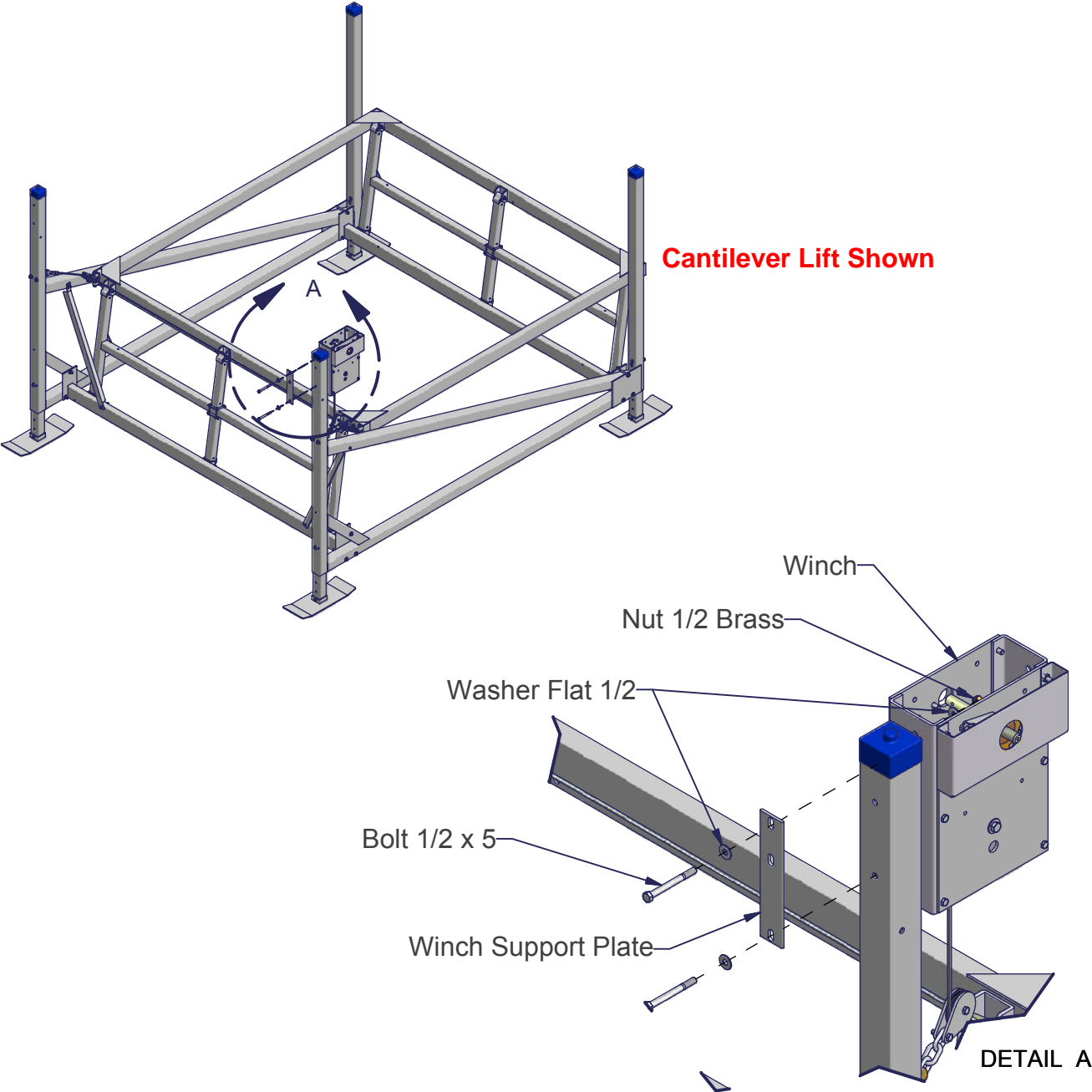
WINCH / WHEEL INSTRUCTIONS

STEP 1

Remove the Winch Cover by unscrewing the three screws.

STEP 2

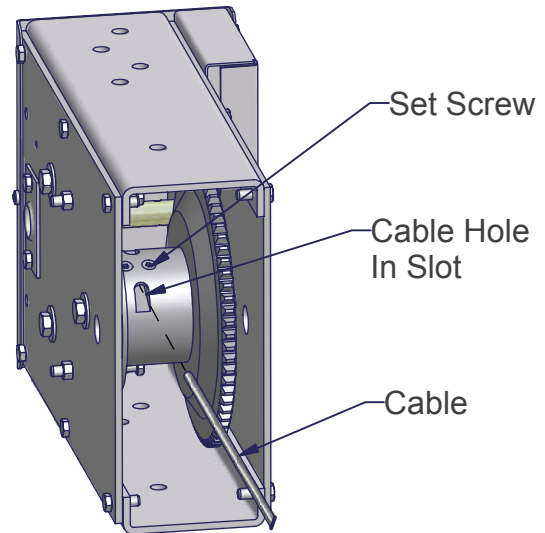
Attach the Winch and Winch Support Plate to the Lift Side Upright. Secure with two Bolts 1/2 x 5, four Washers Flat 1/2 and two Nuts 1/2 - as shown in Detail "A."



STEP 3

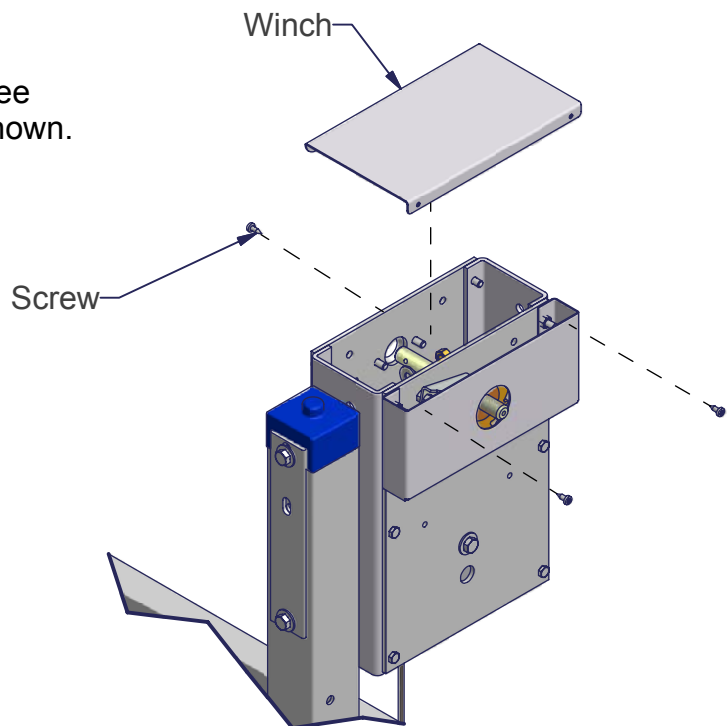
Slide end of cable into slotted opening on winch hub. Using a 3/16" Allen Wrench, tighten winch hub set screw to secure cable to winch hub.

NOTE: Cable must enter at slotted end of opening through hub as shown. Slide cable fully into hub opening. However do not go so far that the cable sticks out the other side of hole. This would interfere with proper cable wrapping.



STEP 4

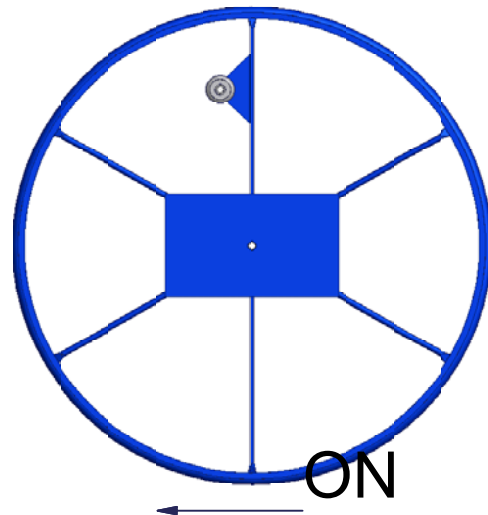
Set cover on winch and secure with the three screws that were removed in Step 1 - as shown.



STEP 5

Thread Wheel clockwise on to shaft of Winch. You must thread wheel all the way on winch shaft. The wheel hub must be fully against brake pad when turning wheel up!

ON →



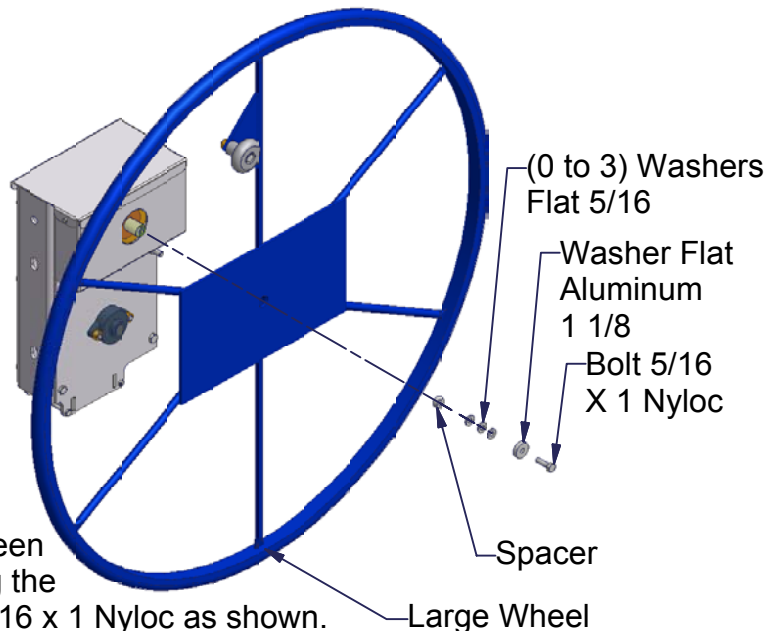
STEP 6

Using a sharp knife or razor blade, cut a small hole in the middle of the wheel, where the wheel sticker covers the attaching bolt hole.

STEP 7

Prior to securing wheel in place using the Bolt 5/16 x 1 Nyloc, stack the spacer and three Washers Flat 5/16. Then place the stack in the bolt hole in the middle of the wheel. The stack should just barely protrude out of the center bolt hole. Remove one Washer Flat 5/16 at a time until the stack just barely protrudes out of the center hole.

Once the correct number of Washers has been determined, secure the wheel in place using the Washer Flat Aluminum 1 1/8 and the Bolt 5/16 x 1 Nyloc as shown.



NOTE: You should be able to slide a piece of paper in the gap between sticker in the center of the wheel and the washer. The wheel should turn 1/8 to 1/4 turn prior to engaging the Washer Flat Aluminum 1 1/8.

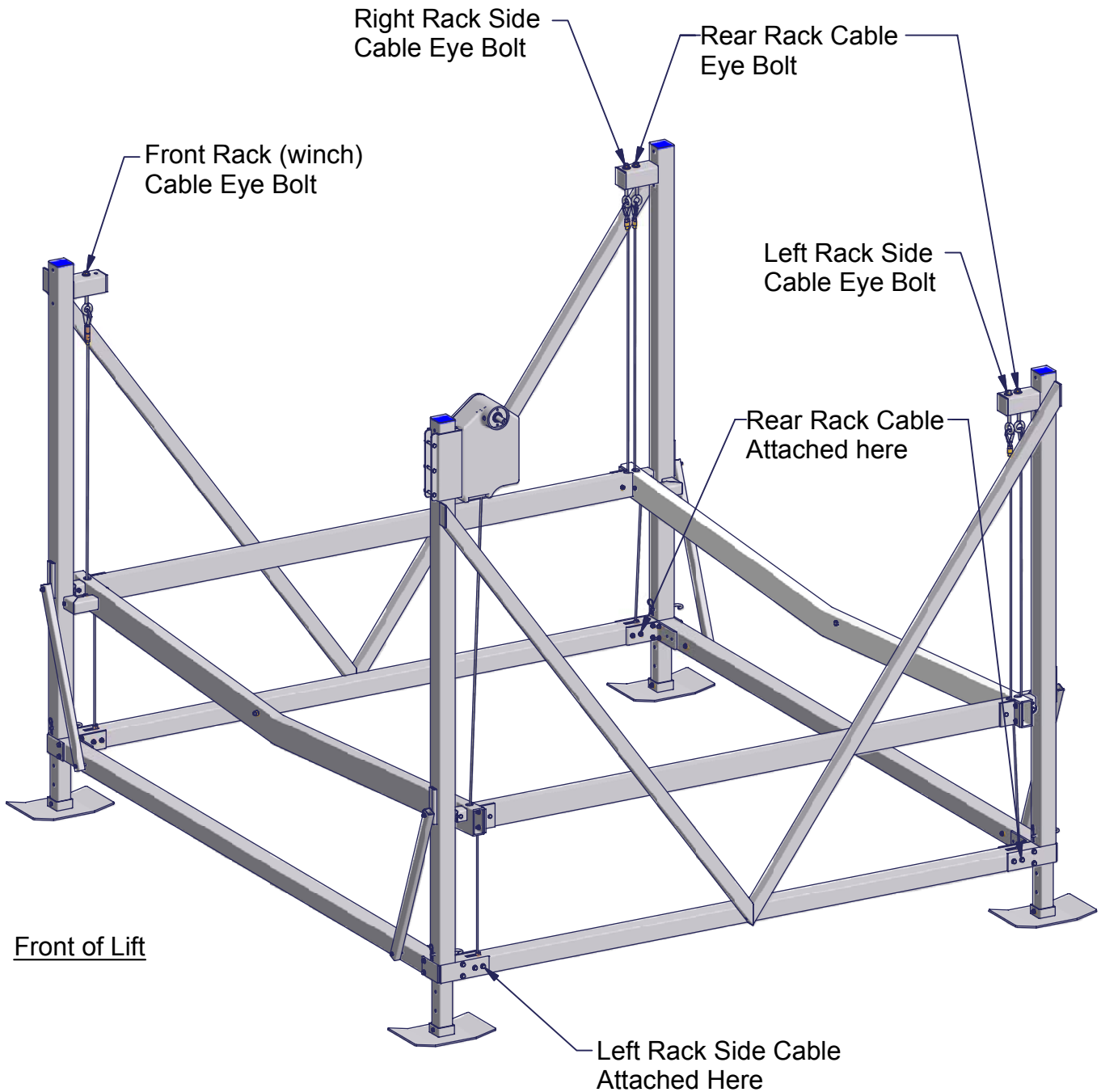
STEP 8

Thread excess cable onto winch hub by turning wheel clockwise. Be sure cable wraps tight and uniformly on hub with each strand lying snugly next to the adjacent strand. Keep tension on the cable by holding it tight when turning the wheel to develop a proper wrap. Do not allow cable to wind up loosely on hub.

CAUTION

Use a leather glove or other hand protection to avoid cuts when applying cable pressure. Cables wrapping incorrectly will result in rapid cable wear.

Proper Cable Locations



CAUTION

Be sure washer is in place and that Nyloc Nut is tightened so at least 1/4" is exposed. Failure to attach cables, Eye Bolts, Washers and Nuts correctly could result in a severe crushing, cutting or pinching injury. Severe damage to lift or boat could also occur.

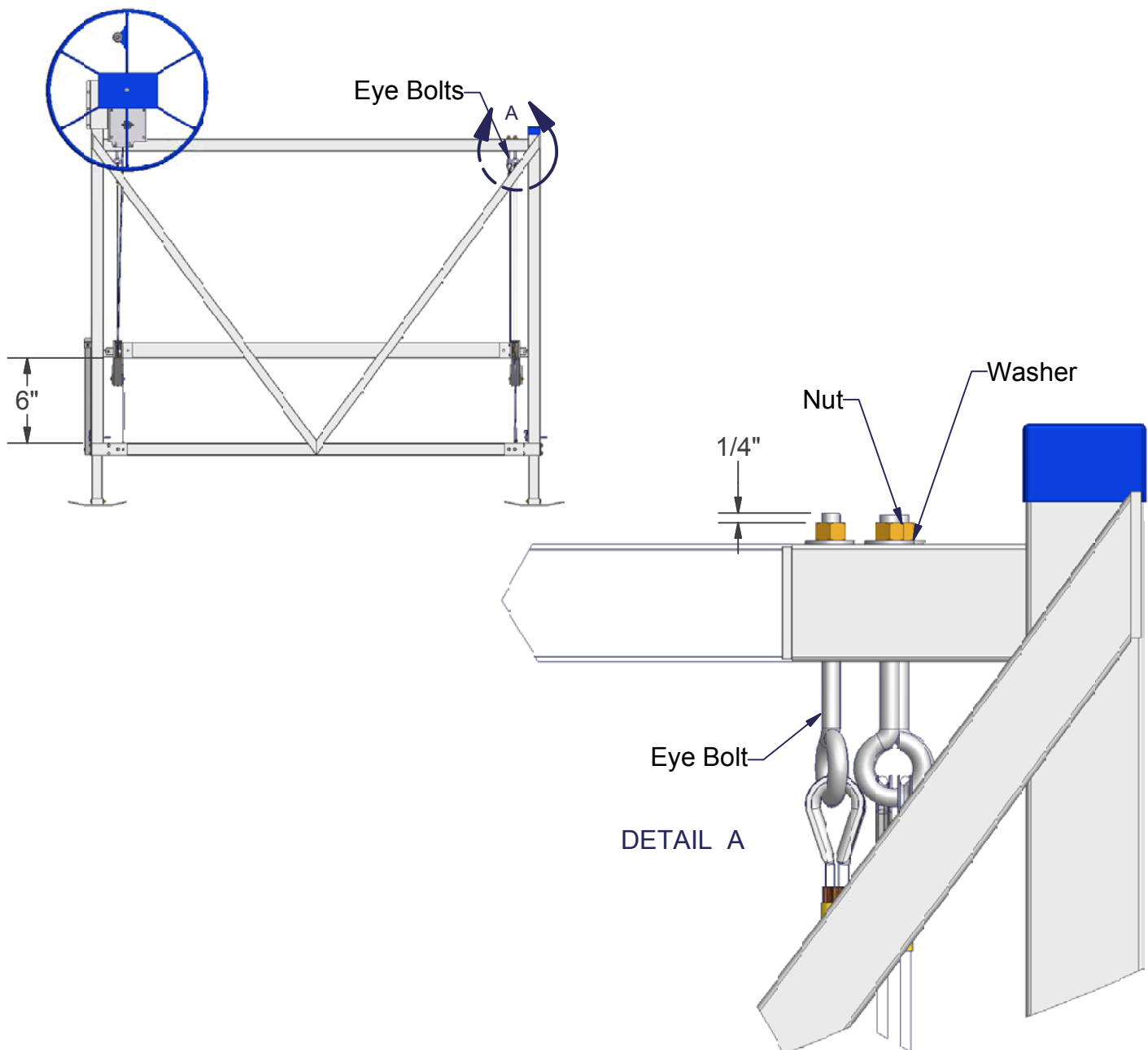
Proper Cable Adjustment

a) There are four cables with Eye Bolts and nuts that must be adjusted to properly level cables. These Eye Bolts are all located near the rear uprights as shown.

b) Turn wheel so front rack beam raises about 6" above the bottom of frame. Adjust cables so all corners of rack are the same distance from frame.

Note: Adjust the cable length by turning the nut on top of the Eye Bolt. Hold the Eye Bolt stationary while adjusting the top nut. Using the frame below the rack as your reference point, measure the distance from frame to rack in each corner. These distances should all be within a 1/4 inch.

Note: Be sure washer is in place and that Nyloc Nut is tightened so at least 1/4" of Eye Bolt thread is exposed. 3/4" is a good starting point for leveling the Rack.



INSTALLATION INSTRUCTIONS

Do not under any circumstances, endanger yourself or risk damage to your lift or boat when installing.

- Situations will widely vary between installation sites. ShoreMaster recommends that your dealer or other trained boat lift installer train you and perform the initial installation.
- Wear protective gloves, clothing and eyewear when assembling and installing the lift.
- Do not assemble, install or use this product if items are missing or damaged.

The following are guidelines or suggestions for installation:

STEP 1

Measure the water depth of the position you want to locate the lift. Measurements should be taken at both the projected position of the end nearest shore and end furthest from shore.

STEP 2

Before installing, adjust lift legs so the boat can float into position before raising, while still allowing a high enough position so the boat can be fully raised up and out of the water.

STEP 3

Carry, lift, roll, float or slide the lift into position alongside the dock. Ask your dealer about a wheel caddy unit to allow your lift to be rolled into position.

STEP 4

Ensure that your lift is level. Measure the distance from the top of the cross beam to the water surface. The distance at each of the four corners of the lift should be within two inches of each other. If they are not, adjust the legs accordingly.

Note: If the lift legs will extend 3 feet or more, ShoreMaster recommends deep water braces to stabilize and strengthen the lift. Ask your dealer for more information.

CAUTION

The lift must be resting on the water bottom in a level, secure and stable position for safe operation. An unstable lift installation could result in tipping of the lift during operation, causing damage to watercraft and a crushing or pinching injury to the operator or bystanders.

STEP 5

After loading and operating the lift pursuant to the operating instructions, remove the boat and recheck that the lift remains level.

OPERATING INSTRUCTIONS

CAUTION

When first using the boat lift after installation, the weight of the boat may cause the lift to settle and become unbalanced. Until you are certain the lift has stabilized, make sure people are not in the immediate vicinity of the lift.

Now that you have installed and leveled the lift, you are ready to raise your boat for the first time. Prior to use, see to it that anyone who may use the lift looks upon the unit not as a toy but a piece of heavy equipment that deserves your respect and good judgment.

- Before allowing anyone to operate the lift, be sure they fully understand the proper operating procedure.
- Do not exceed maximum capacity of the lift; overloading may cause mechanical failure and serious personal injury.
- Do not allow anyone who is in the water within six feet of the lift.
- Do not allow anyone on, in or under the lift while operating.

When operating the lift, the following procedures should be adhered to:

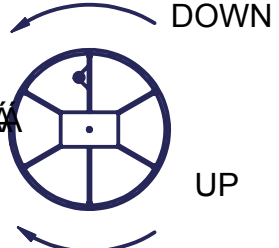
STEP 1

Be sure the lift rack and cradles or bunks are positioned below the water surface so they will not interfere with the boat floating into position.

STEP 2

Properly balance and center the boat on the lift prior to raising. The boat should be positioned with the center of gravity near the middle of the lift. For most rear engine mounted boats, this requires you to position the boat somewhat forward in the lift.

STEP 3

Turn wheel in direction of arrow (clockwise) to raise lift.  cause fast spin down of wheel.

WARNING

Stay clear of lifts (facing wheel) while operating. Do not allow anyone on, in or under lift. A cable or lift part failure can cause a sudden drop of boat, resulting in a crushing or falling injury or death!

CAUTION

Do not touch wheel or attempt to stop it if fast spin down of wheel occurs. Placing hands or feet on spinning wheel can cause broken or cut limbs.

STEP 4

Carefully bring the lift up until the bunks or cradles have secured the boat. Then, stop the lift and check to see that the bunks or cradles have automatically positioned themselves to the shape of the hull, as they are designed to do. If so, continue bringing the boat out of the water until it is about one foot above the surface. Stop the lift again and check the stability of the lift, particularly to see that it is fairly level and will not topple over. Finally, continue lifting the boat while paying close attention to the positioning of the lift until it is at its desired height.

STEP 5

After loading and operating the lift, remove the boat and recheck that the lift remains level. (See Step 4 of the Installation Instructions.) If the lift is not level, the legs should be adjusted accordingly. Because the lift may settle and become unbalanced, the lift levelness should be rechecked two weeks after installation and periodically as needed.

STEP 6

If lift is without a boat in it for more than one day, raise the rack (pulleys) fully out of the water to help prevent corrosion of these parts. At all times, make sure the boat is stored high enough out of the water to avoid wave action against the hull. A moving boat as a result of wave action will damage the lift and can take the boat off the lift.

CAUTIONS:

1. Do not over raise lift rack. Stop before top of rack hits cable loops attached to Eye Bolts. Over raising could cause damage to winch, cables or other parts.
2. Do not over lower rack so slack develops in cable. Doing this could cause cable to jump off winch spool. This may result in sloppy wrapping of cable next time you raise the lift, resulting in premature wear or cable breaking. Turn wheel down one or two turns past point when craft begins to float (This must always be at some point before lift rack is contacting rear bottom beam). Then turn wheel up slightly until clicking sound is heard to secure wheel position and brake on winch.
3. Properly cover your boat, or pull your boat's plug when the boat is in a raised position. Rain water accumulating in your bilge can quickly increase your gross weight over the capacity of the lift.
4. Do not leave lift, or boat on lift, in water if ice formation is possible. Ice can severely damage your boatlift.

SAFETY MAINTENANCE

Monthly Checks

Check cables for frays, corrosion or breaks at least once a month. A cable breaking while boat is in lift could damage boat or lift. Severe bodily injury could also occur.

Spring and Fall Checks

1. Inspect nuts and bolts for damage, wear or loose connections. Tighten or replace parts as needed.
2. Inspect lift frame, pulleys, winch and pivot points for unusual wear, damage or bent parts. Replace or repair as needed.
3. Check that the rack is level with the bottom frame of your lift. Cable stretching or settling of lift could require you to adjust nuts on Eye-Bolts.
4. Lubricate winch and wheel threads. Do not get lubricant on brakepads! Brake will fail and wheel will spin down if brake pads are lubricated.
5. Check and lubricate pulleys to ensure that they are turning freely.
6. Check Eye-Bolts to make sure they are not working themselves loose.

ShoreMaster dealers usually offer service visits. Please contact them if you are unable or unwilling to perform maintenance or service to lift.



SHOREMASTER LIMITED WARRANTY

Residential Use*	Parts Warranty Period	Labor Provided Period
ShoreMaster brand aluminum dock ShoreMaster brand kit dock ShoreMaster brand aluminum boatlift ShoreMaster brand hydraulic ram ShoreMaster brand hydraulic pump Canopy vinyl and fabric (p) Swim Raft Floats Painted Aluminum Panels (Paint) (p) Dock Accessory Lift Accessory Chair Umbrella Items not listed	15 Year warranty on aluminum frame 5 Year warranty on steel frame 15 Year warranty on aluminum frame 3 Year warranty on hydraulic ram 3 Year warranty on hydraulic pump 5 Year prorated warranty on vinyl and fabric 3 Year warranty on polyethylene structure 10 Year warranty on polyethylene structure 5 Year prorated warranty 2 Year warranty 2 Year warranty 2 Year warranty 2 Year warranty 2 Year warranty 1 Year warranty	3 Years on aluminum frame 3 years on steel frame 3 Years on aluminum frame 2 Years on Hydraulic Ram 2 Years on Hydraulic Pump 1 Years on vinyl and fabric 1 Year on polyethylene structure 1 Year on polyethylene structure 1 Year 1 Year 1 Year N/A N/A N/A
Non-Residential Use**	Parts Warranty Period	Labor Provided Period
ShoreMaster brand aluminum dock ShoreMaster brand steel dock ShoreMaster brand aluminum boatlift ShoreMaster brand hydraulic ram ShoreMaster brand hydraulic pump Canopy vinyl and fabric (p) Swim Raft Floats Painted Aluminum Panels (Paint) (p) Dock Accessory Lift Accessory Chair Umbrella Items not listed	1 Year warranty on aluminum frame 1 Year warranty on steel frame 1 Year warranty on aluminum frame 1 Year warranty on hydraulic ram 1 Year warranty on hydraulic pump 5 Year prorated warranty on vinyl and fabric 1 Year warranty on polyethylene structure 10 Year warranty on polyethylene structure 1 Year prorated warranty 1 Year warranty 1 Year warranty 1 Year warranty 1 Year warranty 1 Year warranty	1 Year on aluminum frame 1 Year on steel frame 1 Year on aluminum frame 1 Year on Hydraulic Ram 1 Year on Hydraulic Pump 1 Year on vinyl and fabric 1 Year on polyethylene structure 1 Year on polyethylene structure 1 Year 1 Year 1 Year N/A N/A N/A
Saltwater Use***	Parts Warranty Period	Labor Provided Period
ShoreMaster brand aluminum dock ShoreMaster brand steel dock ShoreMaster brand aluminum boatlift ShoreMaster brand hydraulic ram ShoreMaster brand hydraulic pump Canopy vinyl and fabric (p) Swim Raft Floats Painted Aluminum Panels (Paint) (p) Dock Accessory Lift Accessory Chair Umbrella Items not listed	1 Year warranty on aluminum frame 1 Year warranty on steel frame 1 Year warranty on aluminum frame 1 Year warranty on hydraulic ram 1 Year warranty on hydraulic pump 5 Year prorated warranty on vinyl and fabric 3 Year warranty on polyethylene structure 10 Year warranty on polyethylene structure 1 Year prorated warranty 1 Year warranty 1 Year warranty 1 Year warranty 1 Year warranty 1 Year warranty	1 Year on aluminum frame 1 Year on steel frame 1 Year on aluminum frame 1 Year on Hydraulic Ram 1 Year on Hydraulic Pump 1 Year on vinyl and fabric 1 Year on polyethylene structure 1 Year on polyethylene structure 1 Year 1 Year 1 Year N/A N/A N/A
<p>* "Residential Use" means use exclusively by an individual private consumer and only for the consumer's personal, family or household purposes.</p> <p>** Non-residential Use" means use of the product for any non-residential purposes, including, but not limited to, use for commercial gain. In the event that the product is used for a mixed Residential Use and Commercial Use, the limited warranty for Non-Residential Use shall apply.</p> <p>*** In the event that any product is used in brackish or saltwater, the limited warranty for Saltwater Use, shall take priority over the limited warranty for Residential Use or Non-Residential Use. Also, if the product is used in brackish or saltwater, the product must have sacrificial anodes or "zincs" attached to it. The sacrificial anodes or "zincs" require maintenance and regular inspection in order to prevent electrolysis from damaging the lift metals. Failure to attach and maintain the sacrificial anodes or "zincs" constitutes "abuse" as used herein.</p> <p>(p) Products that are noted with a "(p)" are Prorated. Prorated means that ShoreMaster will provide a Credit, as defined herein, toward your purchase of a replacement product or part. Credit = (months remaining in the Parts Warranty</p>		

Period]/[number of months originally in the Parts Warranty Period (e.g. 1 Year warranty = 12 months)]) x [current list price of product or part covered by this Limited Warranty].

ShoreMaster, LLC. ("ShoreMaster") warrants to the **original Purchaser** that its products and parts are free from defects in materials and workmanship as stated in this Limited Warranty during the Parts Warranty Period as identified herein. The Parts Warranty Period begins on the date of purchase as shown on its receipt or invoice. This Limited Warranty is not transferrable or assignable.

If you discover within the Parts Warranty Period a defect in material or workmanship, you must promptly notify your local ShoreMaster dealer or distributor of any claim under this Limited Warranty. Any claim must be in writing with proof of purchase and provided to your local ShoreMaster dealer or distributor within fifteen (15) days of the discovery of the defect.

This Limited Warranty is for repair or replacement of parts or products only. Except for the period of time identified in the product's or part's corresponding Labor Provided Period, which begins when the Parts Warranty Period commences, this Limited Warranty does not include labor or costs associated with installation or on-site work. ShoreMaster will provide freight from ShoreMaster's facility to the local ShoreMaster dealer or distributor on the next truck or container that is sent to the local ShoreMaster dealer or distributor during the normal course of business. You are responsible for freight or shipping costs and expenses from the local ShoreMaster dealer or distributor to the product's location. If you request expedited freight or shipping, you are solely responsible for all related costs. **AFTER RECEIVING NOTIFICATION OF THE DEFECT, SHOREMASTER WILL, AT ITS DISCRETION, REPAIR, REPLACE OR, IF SHOREMASTER DETERMINES IN ITS SOLE DISCRETION THAT REPAIR OR REPLACEMENT IS NOT FEASIBLE, REFUND THE PURCHASE PRICE ON THE PRODUCT OR PART FOUND ON EXAMINATION BY SHOREMASTER TO BE DEFECTIVE UNDER NORMAL USE AND SERVICE.**

THIS LIMITED WARRANTY IS YOUR EXCLUSIVE WARRANTY AND REPLACES ALL OTHER WARRANTIES OR CONDITIONS, EXPRESS OR IMPLIED, INCLUDING BUT NOT LIMITED TO, THE IMPLIED WARRANTIES OR CONDITIONS OF MERCHANTABILITY AND FITNESS FOR A PARTICULAR PURPOSE. Some states, provinces or jurisdictions do not allow the exclusion of express or implied warranties, so the above exclusion may not apply to you. In that event, such warranties apply only to the extent required by law and are limited in duration to five (5) years. No warranties apply after that period. Some states, provinces or jurisdictions do not allow limitations on how long an implied warranty lasts, so the above duration may not apply to you.

IN ORDER TO ALLOW SHOREMASTER AN OPPORTUNITY TO ASSESS THE CONDITION OF THE PART OR PRODUCT FOR WHICH A WARRANTY CLAIM IS MADE, YOU SHALL PROVIDE REASONABLE ACCESS TO THE PART OR PRODUCT TO SHOREMASTER AND/OR ITS AGENTS, WHICH INCLUDES SHOREMASTER DEALERS OR DISTRIBUTORS. TO FACILITATE THE PROMPT ASSESSMENT OF YOUR WARRANTY CLAIM, SHOREMASTER MAY, FROM TIME TO TIME, REQUIRE THAT YOU PROVIDE ADDITIONAL DOCUMENTATION, PHOTOGRAPHS AND OTHER INFORMATION. FAILURE TO PROVIDE THE FOREGOING WITHIN A REASONABLE TIME FROM THE DATE OF REQUEST BY SHOREMASTER WILL INVALIDATE YOUR LIMITED WARRANTY.

Routine maintenance and checking for loose connections or damaged parts must be performed on a monthly basis. ShoreMaster shall not warranty and cover damage caused by circumstances outside the reasonable control of ShoreMaster, including but not limited to, improper use, misuse, abuse, improper installation, overloading, accident, neglect or harmful alteration or repairs made by others, damage by snow or ice, electrolysis, corrosion, natural expansion or contraction of parts or products caused by weather conditions, severe weather conditions, terrorism or acts of God. **IF YOU ATTEMPT TO REPAIR OR REPLACE PARTS OR PRODUCTS WITHOUT THE AUTHORIZED WRITTEN CONSENT OF SHOREMASTER OR USE ANY UNAUTHORIZED METHODOLOGY OF REPAIR OR IF YOU ALTER, MODIFY OR CHANGE THE PARTS OR PRODUCTS YOU WILL VOID THIS LIMITED WARRANTY.**

When the Limited Warranty service involves the replacement of a product or part, the replaced product or part becomes ShoreMaster's property and the replacement product or part becomes your property. The replacement product or part may not be new but will be in good working order and at least functionally equivalent to the original product or part. At ShoreMaster's request you are responsible for returning the replaced product or part to the local ShoreMaster dealer or distributor. The replacement product or part shall be warranted for the balance of the Parts Warranty Period remaining on the original product or part.

IN NO EVENT SHALL SHOREMASTER, ITS SUBSIDIARIES, PARENT, SUPPLIERS, DEALERS, DISTRIBUTORS, RESELLERS OR SERVICE PROVIDERS BE LIABLE FOR: (i) THIRD PARTY CLAIMS AGAINST YOU FOR DAMAGES; OR (ii) SPECIAL, INCIDENTAL, INDIRECT OR CONSEQUENTIAL DAMAGES, INCLUDING LOST PROFITS, BUSINESS REVENUE, GOODWILL OR ANTICIPATED SAVINGS. THESE EXCLUSIONS APPLY EVEN IF SHOREMASTER HAS BEEN ADVISED OF THE POSSIBILITY OF THESE DAMAGES AND EVEN IF ANY REMEDY FAILS OF ITS ESSENTIAL PURPOSE. AS SOME STATES, PROVINCES OR JURISDICTIONS DO NOT ALLOW THE EXCLUSION OR LIMITATION OF INCIDENTAL OR CONSEQUENTIAL DAMAGES, THE ABOVE LIMITATIONS OR EXCLUSIONS MAY NOT APPLY TO YOU. SUBJECT TO THIS PARAGRAPH, ANY CLAIM FOR DAMAGES FOR BREACH OF WARRANTY SHALL BE LIMITED TO THE PURCHASE PRICE OF THE PRODUCT.

NOTHING IN THIS LIMITED WARRANTY AFFECTS STATUTORY RIGHTS THAT CANNOT BE WAIVED OR LIMITED BY THIS LIMITED WARRANTY.