

# Mooring Buoys

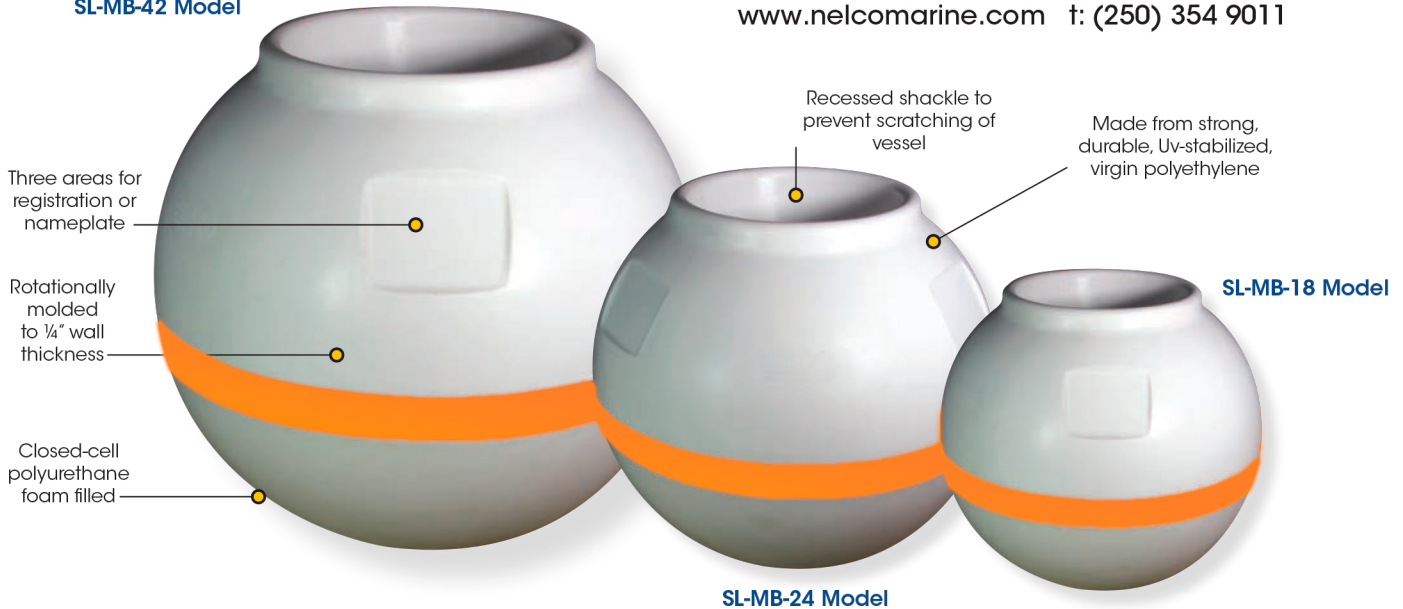
SL-MB-18, SL-MB-24 & SL-MB-42



## NELCO Marine

www.nelcomarine.com t: (250) 354 9011

SL-MB-42 Model



SL-MB-18 Model

SL-MB-24 Model

### The Sealite Advantage

- Recessed shackle prevents scratching of vessel
- No painting ever
- Strong, polyethylene construction
- Clear identification with optional graphics
- Eco-friendly
- SL-MB-18: 18" diameter
- SL-MB-24: 24" diameter
- SL-MB-42: 42" diameter

The Sealite range of Mooring Buoys are designed to offer customers long life and are suitable for a range of locations. This buoy has a recessed top section which allows the connecting shackle to be protected from scratching the vessel.

The mooring buoy is available in 18" (457mm), 24" (610mm) and 42" (1070mm) diameter. The mooring buoys are rotationally-molded from UV-stabilized virgin polyethylene and are foam filled with closed-cell polyurethane to prevent water ingress in the unlikely event of damage to the outer layer.

The buoys have a molded centre pipe with 2.6 inches (66mm) ID that will accept mooring chain of up to 5/8 inch (16mm) in diameter. The mooring tube is molded into the buoy in a tubular section that runs down the center of the buoy.

Sealite's Mooring Buoys are available in a range of colors for clear visibility, with an optional reflective band and name plates.



Environmentally  
Friendly &  
Recyclable

Sealite buoy products are made from recyclable materials. As a service to customers, individual components and products at the end of their service life may be returned to Sealite for recycling.



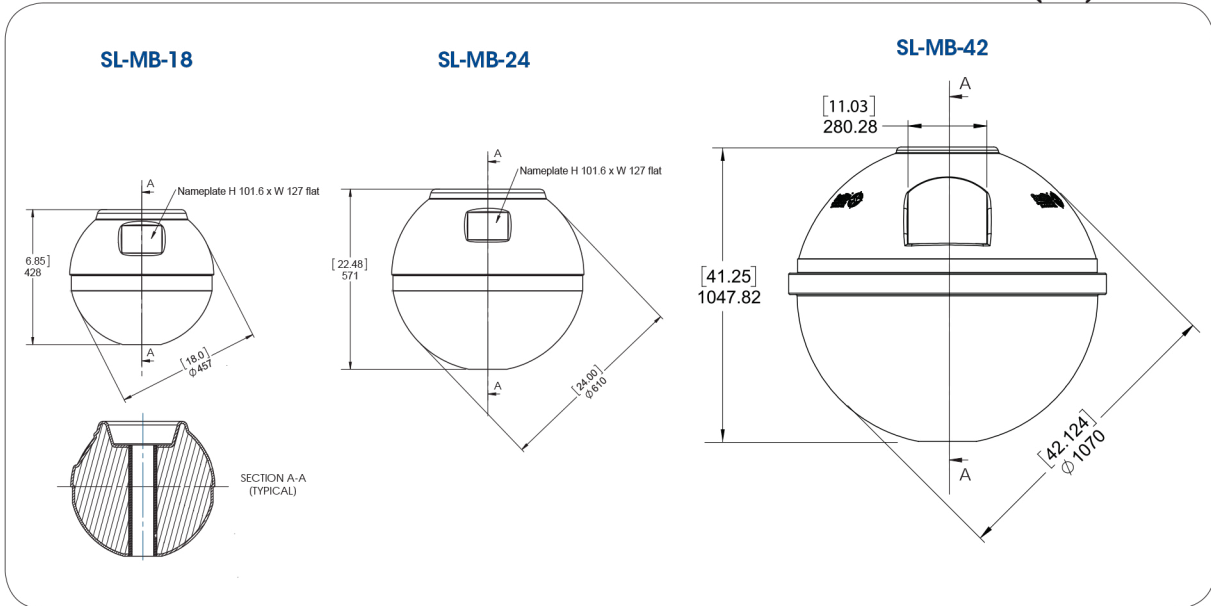
# Mooring Buoys

SL-MB-18, SL-MB-24 & SL-MB-42



**NELCO Marine**

www.nelcomarine.com t: (250) 354 9011



## SPECIFICATIONS • \*

### General Characteristics

Available Colors

Total Float Volume (US gallon/ltrs)

Reserve Buoyancy (lbs/kgs)

Note: 50% submergence in salt water

Draft, Maximum (inches/mm)

Freeboard, Minimum (inches/mm)

Submergence (lb/inches, kg/cm)

Will accommodate chain size up to (inches/mm)

### Physical Characteristics

Material

Wall Thickness (inches/mm)

Filling

Height (inches/mm)

Width (inches/mm)

Mass (lbs/kg)

Product Life Expectancy

### Certifications

Quality Assurance

### Intellectual Property

Trademarks

### Warranty \*

### Options Available

## SL-MB-18

Red, Green, White, Yellow as per IALA Recommendations

12<sup>1</sup>/<sub>4</sub> / 43.6

36 / 16.5

13<sup>7</sup>/<sub>8</sub> / 353

3 / 75

9 / 1.6

3<sup>1</sup>/<sub>8</sub> / 9.5

Rotationally-moulded UV-stabilized virgin polyethylene

1/4 / 7

Closed-cell polyurethane foam

16<sup>7</sup>/<sub>8</sub> / 428

17<sup>5</sup>/<sub>8</sub> / 446

13 / 5.9

Up to 12 years

ISO9001:2008

SEALITE® is a registered trademark of Sealite Pty Ltd  
1 year

- Graphics
- Reflective band
- Name plates

## SL-MB-24

Red, Green, White, Yellow as per IALA Recommendations

28<sup>7</sup>/<sub>8</sub> / 109.5

101 / 46

18<sup>1</sup>/<sub>2</sub> / 471

4 / 100

16 / 2.9

5<sup>1</sup>/<sub>8</sub> / 16

Rotationally-moulded UV-stabilized virgin polyethylene

1/4 / 7

Closed-cell polyurethane foam

22<sup>1</sup>/<sub>2</sub> / 571

23<sup>3</sup>/<sub>4</sub> / 601

23 / 10.4

Up to 12 years

ISO9001:2008

SEALITE® is a registered trademark of Sealite Pty Ltd  
1 year

- Graphics
- Reflective band
- Name plates

## SL-MB-42

Red, Green, White, Yellow as per IALA Recommendations

169<sup>1</sup>/<sub>8</sub> / 641

614 / 278.5

33<sup>1</sup>/<sub>4</sub> / 845

8 / 204

49 / 22

5<sup>1</sup>/<sub>8</sub> / 16

Rotationally-moulded UV-stabilized virgin polyethylene

1/4 / 7

Closed-cell polyurethane foam

41<sup>1</sup>/<sub>4</sub> / 1048

44<sup>1</sup>/<sub>2</sub> / 1130

106 / 48

Up to 12 years

ISO9001:2008

SEALITE® is a registered trademark of Sealite Pty Ltd  
1 year

- Graphics
- Reflective band
- Name plates



• Specifications subject to change or variation without notice  
\* Subject to standard terms and conditions

**Sealite**  
www.sealite.com



Distributed by:

**NELCO Marine**

www.nelcomarine.com t: (250) 354 9011



**Nelco Marine**