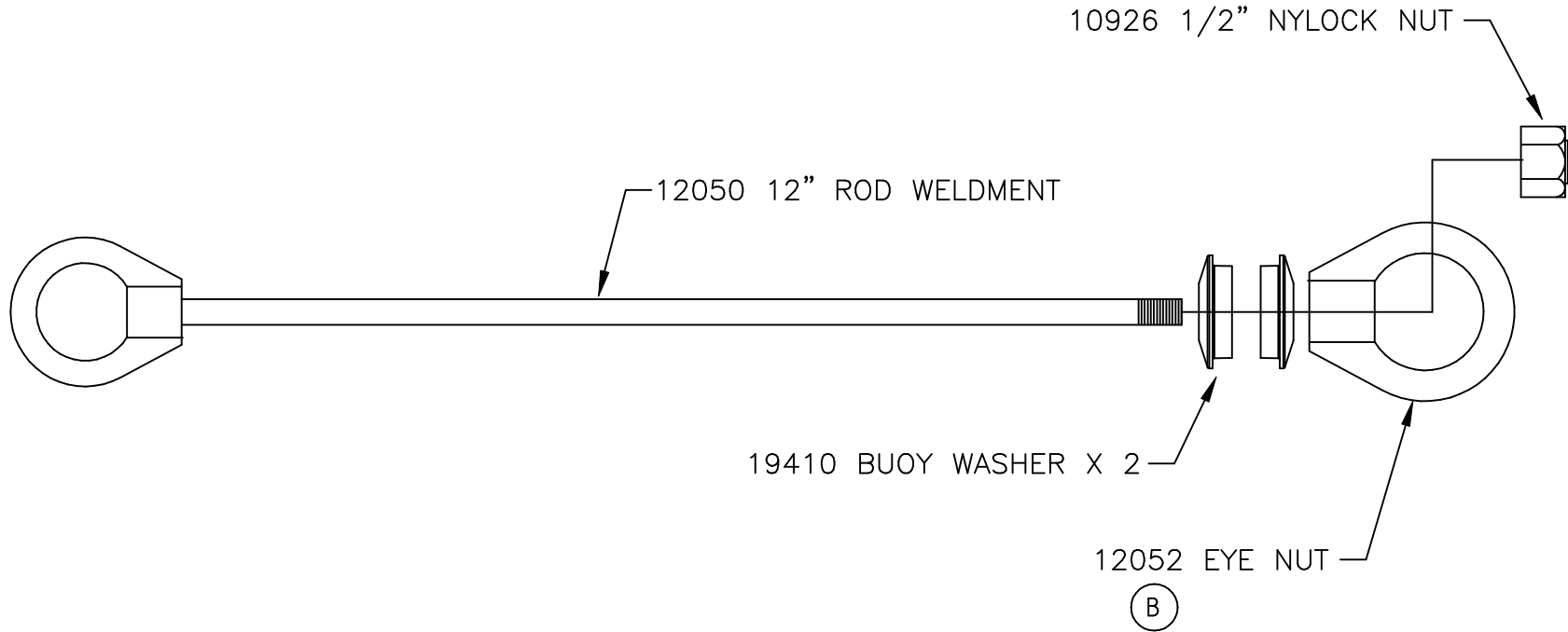


PROPRIETARY DATA

PROPERTY OF ACE ROTO-MOLD MFG., INC. INFORMATION FURNISHED HEREIN IS THE PROPERTY OF ACE ROTO-MOLD MFG., INC. AND SHALL NOT BE USED, DISCLOSED TO OTHERS, OR COPIED WITHOUT THE EXPRESSED WRITTEN CONSENT OF ACE ROTO-MOLD MFG., INC. ALL RIGHTS RESERVED.

FFMB-12F

B



				DRAWN / DATE		MATERIAL
B	12052 WAS 12038	8/1/06	REH	REH 12/20/05		
A	CHANGED FLAT TO BUOY WASHER	6/7/06	NVE	APPRD. / DATE		CLIENT / DESCRIPTION
REV	DESCRIPTION	DATE	APPRD	REH 12/20/05		
ALL DIMENSIONS ARE IN DECIMAL INCHES TOLERANCES UNLESS OTHERWISE SPECIFIED ± 1% @ 68° F				THIRD ANGLE PROJECTION ANSI 14.5M	NOTES:	
					1. Finish with galvanized dip 2. Ship Kit in Carton 12047	



ACE ROTO-MOLD
A DIVISION OF DEN HARTOG INDUSTRIES, INC.
4018 HWY. 60 BLVD, BOX 421, HOSPERS, IOWA 51238

CLIENT / DESCRIPTION		12" BUOY HARDWARE KIT	
SCALE	N.S.	PART NO.	FFMB-12F